

PRODUCT INFORMATION PACKET



Model No: 192207.00
Catalog No: 192207.00
2 HP General Purpose, 3 phase, 1800 RPM, 230/460 V, 90L Frame, TEFC
Aluminium Motors



Regal and Leeson are trademarks of Regal Rexnord Corporation or one of its affiliated companies.
©2021 Regal Rexnord Corporation, All Rights Reserved. MC017097E





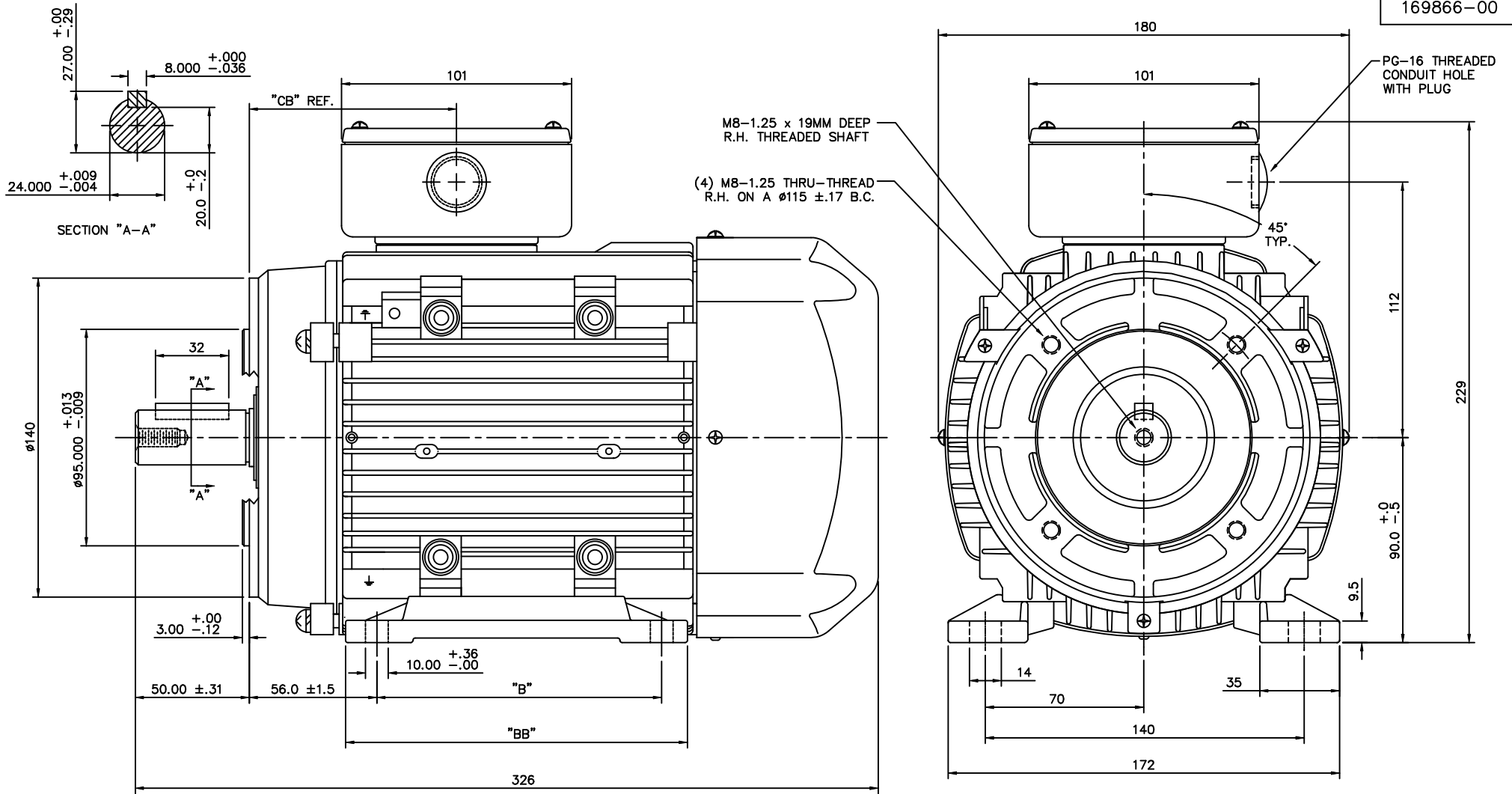
Nameplate Specifications

Output HP	2 Hp	Output KW	1.5 kW
Frequency	60 Hz	Voltage	230/460 V
Current	5.4/2.7 A	Speed	1745 rpm
Service Factor	1.15	Phase	3
Efficiency	86.5 %	Power Factor	78.4
Duty	Continuous	Insulation Class	F
Design Code	B	KVA Code	J
Frame	90L	Enclosure	Totally Enclosed Fan Cooled
Thermal Protection	No	Ambient Temperature	40 °C
Drive End Bearing Size	6205	Opp Drive End Bearing Size	6205
UL	Recognized	CSA	Y
CE	Y	IP Code	55
Number of Speeds	1		

Technical Specifications

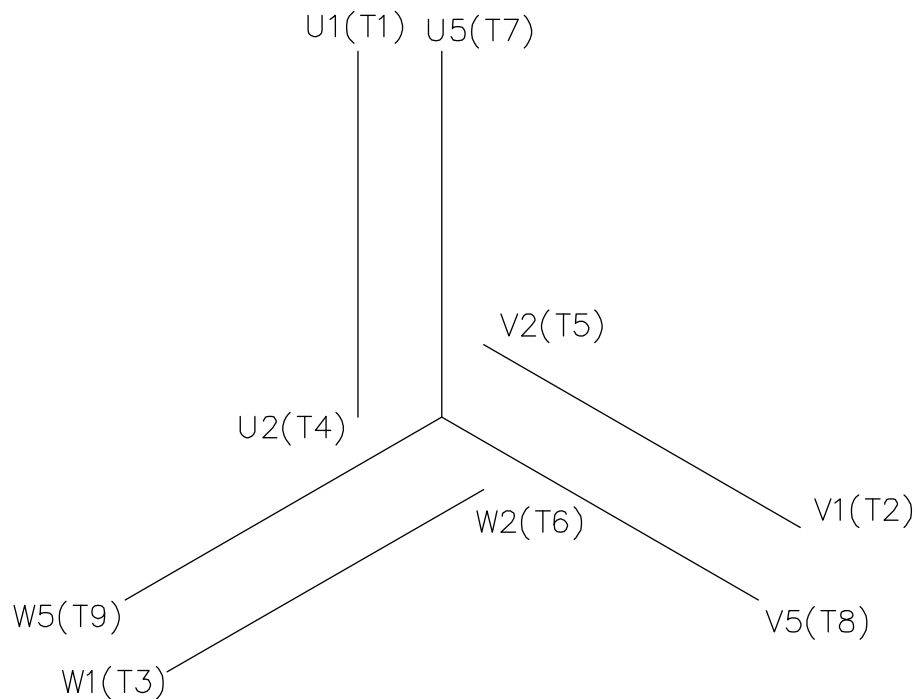
Electrical Type	Squirrel Cage Induction Run	Starting Method	Line Or Inverter
Poles	4	Rotation	Reversible
Resistance Main	0 Ohms	Mounting	B3
Motor Orientation	Horizontal	Drive End Bearing	Ball
Opp Drive End Bearing	Ball	Frame Material	Aluminum
Shaft Type	IEC	Overall Length	12.83 in
Frame Length	6.33 in	Shaft Diameter	1.000 in
Shaft Extension	1.96 in	Assembly/Box Mounting	F3
Outline Drawing	16986600	Connection Drawing	005465.01

This is an uncontrolled document once printed or downloaded and is subject to change without notice. Date Created:10/07/2021



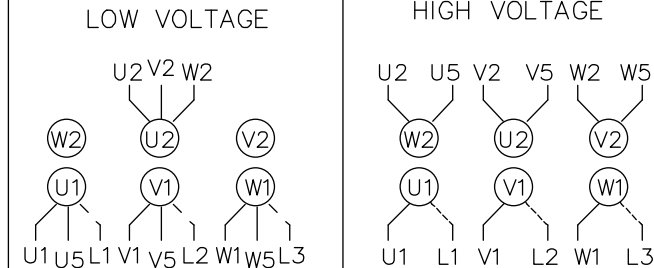
FRAME DESIGN	"B"	"BB"	"CB"
90L	125±0.7	150	91
90S	100±0.7	125	79
XXX	XXX	XXX	XXX

		TOLERANCES UNLESS SPECIFIED			ELECTRIC MOTORS GEARMOTORS AND DRIVES	DRAWN	ADS 01/30/02	
NO.	REVISION	BY & DATE	CHK			ANG	DEC.	METRIC
								APPD
								SCALE 1=1.6
								REF OSVC-300-559
								FMF LEESON STOCK
								PREV
THIS DRAWING IN DESIGN AND DETAIL IS OUR PROPERTY AND MUST NOT BE USED EXCEPT IN CONNECTION WITH OUR WORK ALL RIGHTS OF DESIGN AND INVENTION ARE RESERVED THIS IS AN ELECTRONICALLY GENERATED DOCUMENT - DO NOT SCALE THIS PRINT				RFP	CAD FILE	16986600	SIZE	DRAWING NO.
				DIST			B	169866-00
								REV.



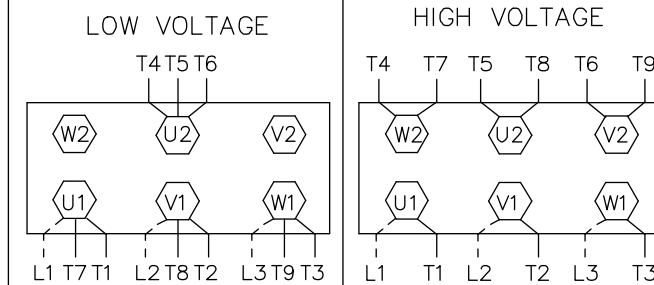
REF. DECAL (IEC) 080644
REF. DECAL (NEMA) 080446

IEC MARKINGS



LINE VOLTAGE	L1	L2	L3	JOIN		
TERMINAL	U1	V1	W1	W2	U2	V2
LOW	U1, U5	V1, V5	W1, W5	---	U2, V2, W2	---
HIGH	U1	V1	W1	U2, U5	V2, V5	W2, W5

NEMA MARKINGS



LINE VOLTAGE	L1	L2	L3	JOIN		
TERMINAL	U1	V1	W1	W2	U2	V2
LOW	T1, T7	T2, T8	T3, T9	---	T4, T5, T6	---
HIGH	T1	T2	T3	T4, T7	T5, T8	T6, T9

TOLERANCES UNLESS SPECIFIED

DEC.	INCHES
.X	±.1
.XX	±.01
.XXX	±.005
.XXXX	±.0005
ANG	±1/2'



ELECTRIC MOTORS
GEARMOTORS
AND DRIVES

DRAWN MGM 12/3/02

CHK

APPD

SCALE 1=1

REF 00537703

FMF

PREV

TITLE EXTERNAL WIRING DIAGRAM
3 PHASE - DUAL VOLTAGE - W/TERM BLOCK

MAT'L. IEC/NEMA MARKINGS

FINISH THERMAL TRANSFER

01	NEMA LV CONNECTION WAS INCORRECT	RLW	8/4/03	.XXXX	±.0005
NO.	REVISION	BY & DATE	CHK	ANG	±1/2'

THIS DRAWING IN DESIGN AND DETAIL IS OUR PROPERTY AND MUST NOT BE USED EXCEPT IN CONNECTION WITH OUR WORK ALL RIGHTS OF DESIGN AND INVENTION ARE RESERVED THIS IS AN ELECTRONICALLY GENERATED DOCUMENT - DO NOT SCALE THIS PRINT

RFP	CAD FILE	00546501
DIST		

SIZE	DRAWING NO.	REV.
A	005465-01	01



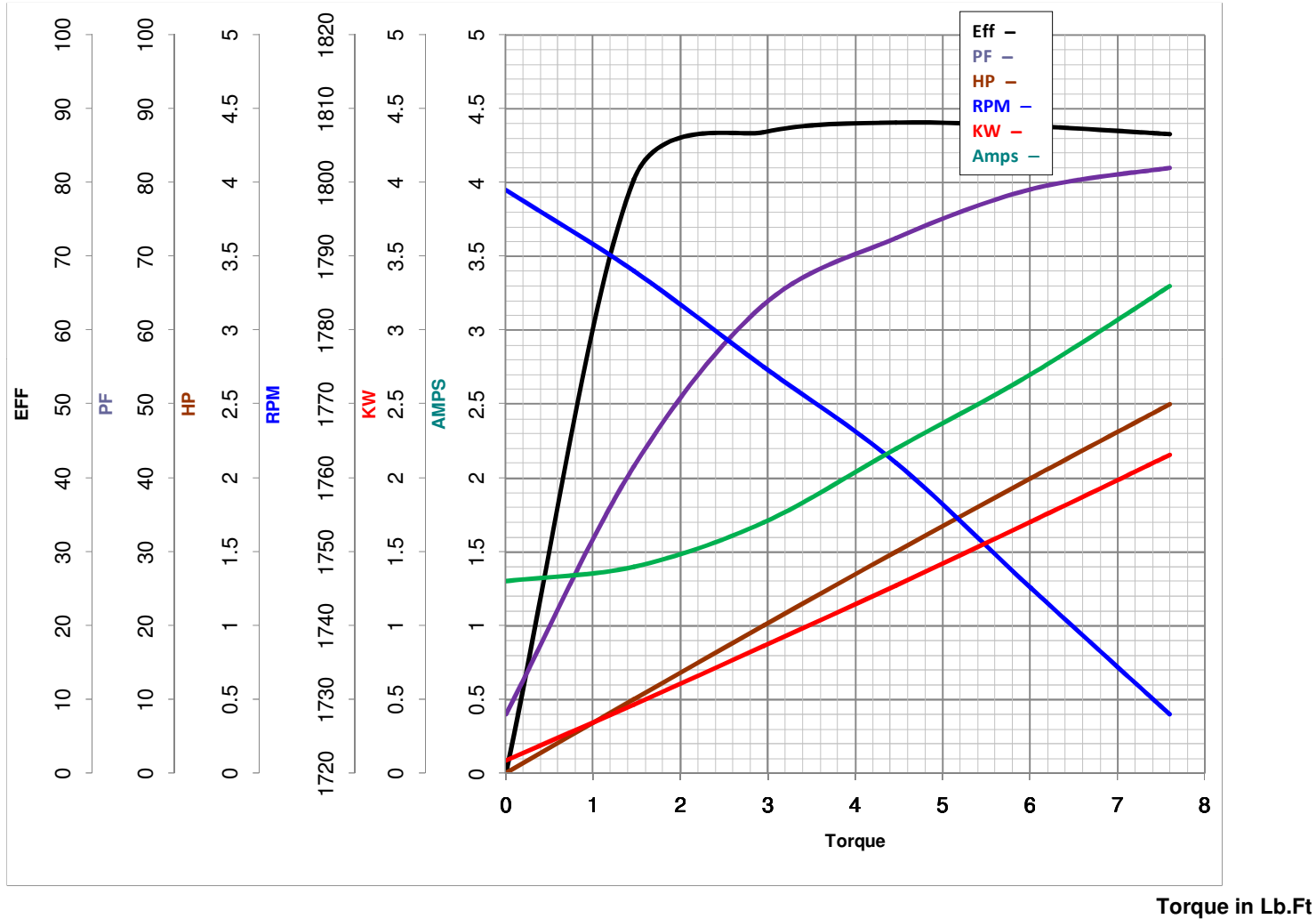
LEESON ELECTRIC CORPORATION
 TYPICAL PERFORMANCE CURVE for AC MOTOR

Model No 192207.00

Catalog No 192207.00

Curve at 460 Volts HP 2&2 PHASE 3
60 HZ
2 HP VOLTS 230/460&200/400

HZ 60&50 RPM 1745&1435



FL TORQUE 6.018 Lb.Ft
 BD TORQUE 18.1 Lb.Ft
 LR TORQUE 14.39 Lb.Ft
 WINDING QT9047-3

Torque in Lb.Ft
 FL AMPS 5.4/2.7
 PU TORQUE 11.3 Lb.Ft
 LR AMPS 18.7
 Date 5/22/2018