

PRODUCT INFORMATION PACKET



Model No: 192018.00
Catalog No: 192018.00
0.25 HP General Purpose, 3 phase, 1800 RPM, 230/460 V, 63C Frame, TEFC
Aluminium Motors



Regal and Leeson are trademarks of Regal Rexnord Corporation or one of its affiliated companies.
©2021 Regal Rexnord Corporation, All Rights Reserved. MC017097E



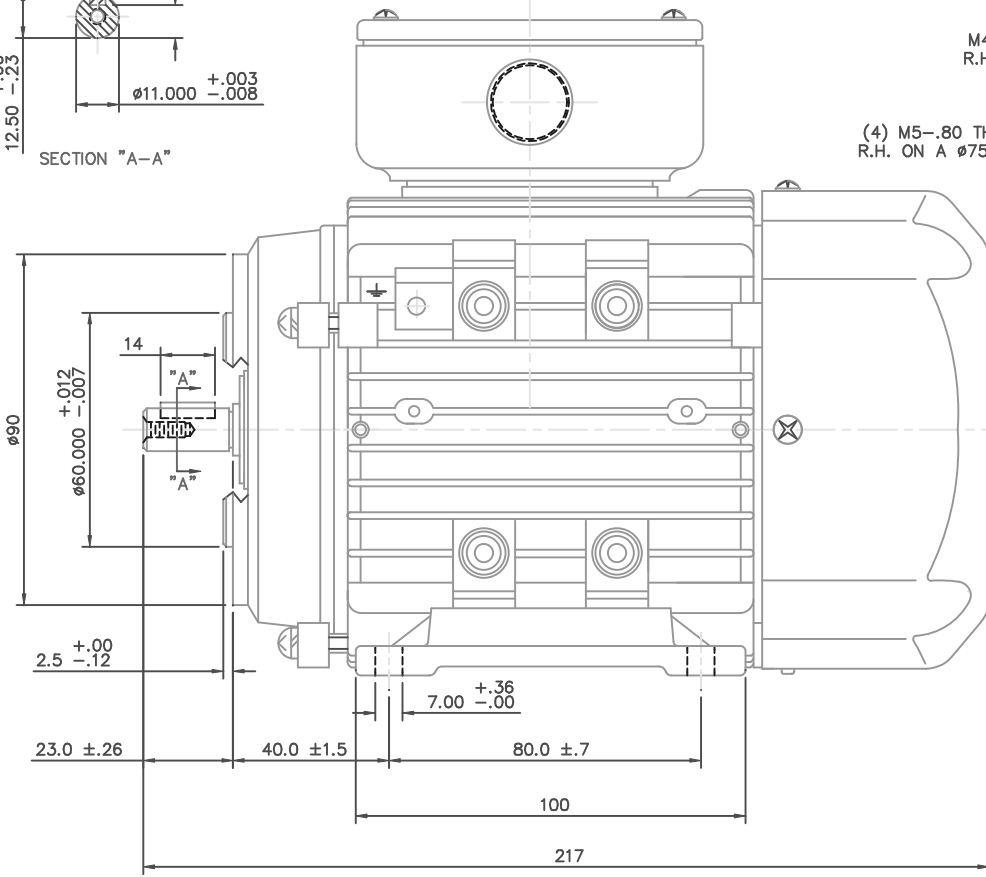
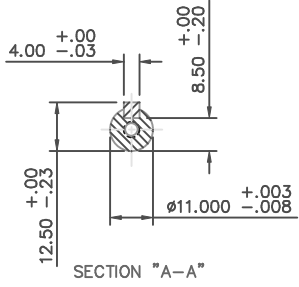


Nameplate Specifications

Output HP	0.25 Hp	Output KW	0.19 kW
Frequency	60 Hz	Voltage	230/460 V
Current	1.0/0.50 A	Speed	1700 rpm
Service Factor	1.15	Phase	3
Efficiency	68 %	Power Factor	62.5
Duty	Continuous	Insulation Class	F
Design Code	B	KVA Code	H
Frame	63	Enclosure	Totally Enclosed Fan Cooled
Thermal Protection	No	Ambient Temperature	40 °C
Drive End Bearing Size	6202	Opp Drive End Bearing Size	6202
UL	Recognized	CSA	Y
CE	Y	IP Code	55
Number of Speeds	1		

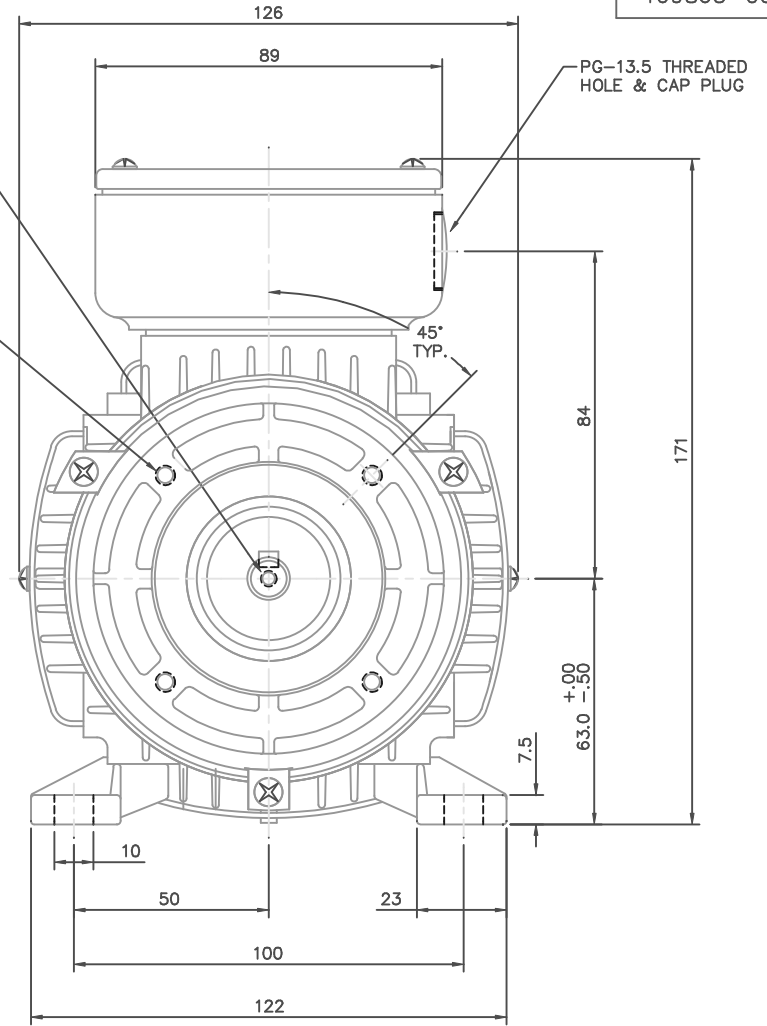
Technical Specifications

Electrical Type	Squirrel Cage Inverter Rated	Starting Method	Line Or Inverter
Poles	4	Rotation	Reversible
Resistance Main	26.59 Ohms	Mounting	B3
Motor Orientation	Horizontal	Drive End Bearing	Ball
Opp Drive End Bearing	Ball	Frame Material	Aluminum
Shaft Type	IEC	Overall Length	8.54 in
Frame Length	4.44 in	Shaft Diameter	0.437 in
Shaft Extension	0.9 in	Assembly/Box Mounting	F3
Inverter Load	CONSTANT 20:1		
Outline Drawing	16986300	Connection Drawing	005465.01



(4) M5-.80 THRU-THREAD R.H. ON A Ø75.00±.15 B.C.

M4-.70 x 10MM DEEP R.H. THREADED SHAFT



		TOLERANCES UNLESS SPECIFIED		LEESON		ELECTRIC MOTORS GEARMOTORS AND DRIVES		DRAWN ADS 01/30/02	
		DEC.	METRIC					CHK	
		.X	±2.5					APPD	
		.XX	±.76	TITLE		METRIC MOTOR OUTLINE, IMB34 IEC-63 FRAME RIGID MOUNT W/B14 FLANGE		SCALE	1=1.25
		.XXX	±.127	MAT'L		ALUMINUM		REF	OSVC-300-562
01	CHANGED PART NUMBER IN TITLE BLOCK	RDW 8/17/05	KJH .XXXX ±.0127	FINISH				FMF	LEESON STOCK
NO.	REVISION	BY & DATE	CHK ANG ±1/2"	CAD FILE		16986300		PREV	
THIS DRAWING IN DESIGN AND DETAIL IS OUR PROPERTY AND MUST NOT BE USED EXCEPT IN CONNECTION WITH OUR WORK ALL RIGHTS OF DESIGN AND INVENTION ARE RESERVED THIS IS AN ELECTRONICALLY GENERATED DOCUMENT - DO NOT SCALE THIS PRINT				RFP	16986300		SIZE	DRAWING NO.	REV.
				DIST			B	169863-00	01



REF. DECAL (IEC) 080644
REF. DECAL (NEMA) 080446

IEC MARKINGS



LINE VOLTAGE	L1	L2	L3	JOIN		
TERMINAL	U1	V1	W1	W2	U2	V2
LOW	U1,U5	V1,V5	W1,W5	---	U2,V2,W2	---
HIGH	U1	V1	W1	U2,U5	V2,V5	W2,W5

NEMA MARKINGS



LINE VOLTAGE	L1	L2	L3	JOIN		
TERMINAL	U1	V1	W1	W2	U2	V2
LOW	T1, T7	T2, T8	T3, T9	---	T4,T5,T6	---
HIGH	T1	T2	T3	T4, T7	T5, T8	T6, T9

TOLERANCES UNLESS SPECIFIED

DEC.	INCHES
.X	±.1
.XX	±.01
.XXX	±.005
.XXXX	±.0005
ANG	±1/2'



ELECTRIC MOTORS
GEARMOTORS
AND DRIVES

DRAWN MGM 12/3/02

CHK

APPD

SCALE 1=1

REF 00537703

FMF

PREV

TITLE EXTERNAL WIRING DIAGRAM
3 PHASE - DUAL VOLTAGE - W/TERM BLOCK

MAT'L. IEC/NEMA MARKINGS

FINISH THERMAL TRANSFER

NO.	REVISION	BY & DATE	CHK	ANG
01	NEMA LV CONNECTION WAS INCORRECT	RLW 8/4/03		

THIS DRAWING IN DESIGN AND DETAIL IS OUR PROPERTY AND MUST NOT BE USED EXCEPT IN CONNECTION WITH OUR WORK ALL RIGHTS OF DESIGN AND INVENTION ARE RESERVED THIS IS AN ELECTRONICALLY GENERATED DOCUMENT - DO NOT SCALE THIS PRINT

RFP	
DIST	

CAD FILE 00546501

SIZE	DRAWING NO.	REV.
A	005465-01	01



CERTIFICATION DATA SHEET

**1051 CHEYENNE AVE.
GRAFTON, WI 53024
PH. 262-377-8810**

CATALOG #: 192018.00

CONN. DIAGRAM: 005465.01

OUTLINE: 16986300

MOUNTING: F3

WINDING #: QT6341 FR 3 A

TYPICAL MOTOR PERFORMANCE DATA

HP	kW	SYNC. RPM	F.L. RPM	FRAME	ENCLOSURE	KVA CODE	DESIGN
0.25&0.25	0.19&0.19	1800	1700&1380	D63C	TEFC	H	B

PH	Hz	VOLTS	AMPS	START TYPE	DUTY	INSL	S.F.	AMB°C
3	60/50	230/460&200/400	1.0/0.5&1.2/0.6	LINE OR INVERTER	CONTINUOUS	F3	1.15/1.15	40

FULL LOAD EFF:	68	3/4 LOAD EFF:	61.5	1/2 LOAD EFF:	54.7	GTD. EFF		ELEC. TYPE	
FULL LOAD PF:	62.5	3/4 LOAD PF:	54.6	1/2 LOAD PF:	44.5	0		SQ CAGE INV RATED	

F.L. TORQUE	LOCKED ROTOR AMPS	L.R. TORQUE	B.D. TORQUE	F.L. RISE°C
12 OZ-FT	4.4 / 2.2	29.5 OZ-FT 246 %	33 OZ-FT 275 %	39

SOUND PRESSURE @ 3 FT.	SOUND POWER	ROTOR WK^2	MAX. WK^2	SAFE STALL TIME	STARTS / HOUR	APPROX. MOTOR WGT
- dBA	- dBA	0 LB-FT^2	- LB-FT^2	10 SEC.	-	0 LBS.

***** SUPPLEMENTAL INFORMATION *****

DE BRACKET TYPE	ODE BRACKET TYPE	MOUNT TYPE	ORIENTATION	SEVERE DUTY	HAZARDOUS LOCATION	DRIP COVER	SCREENS	PAINT
FT-FLANGE-75	STANDARD	B3	HORIZONTAL	FALSE	NONE	FALSE	NONE	BLUE (ENAMEL)

BEARINGS		GREASE	SHAFT TYPE	SPECIAL DE	SPECIAL ODE	SHAFT MATERIAL	FRAME MATERIAL
DE	ODE						
BALL	BALL	POLYREX EM	STANDARD IEC	NONE	NONE	1045 HOT ROLLED (C-204)	ALUMINUM
6202	6202						

THERMO-PROTECTORS				THERMISTORS	CONTROL	SPACE HEATERS
THERMOSTATS	PROTECTORS	WDG RTDs	BRG RTDs			
NONE	NOT	NONE	NONE	NONE	FALSE	NONE VOLTS

*
N
O
T
E
S

INVERTER TORQUE: CONSTANT 20:1
INV. HP SPEED RANGE: 1.5 X BASE SPEED
ENCODER: NONE NONE NONE NONE NONE PPR
BRAKE: NONE NONE NONE P/N NONE NONE NONE NONE FT-LB NONE V NONE HZ



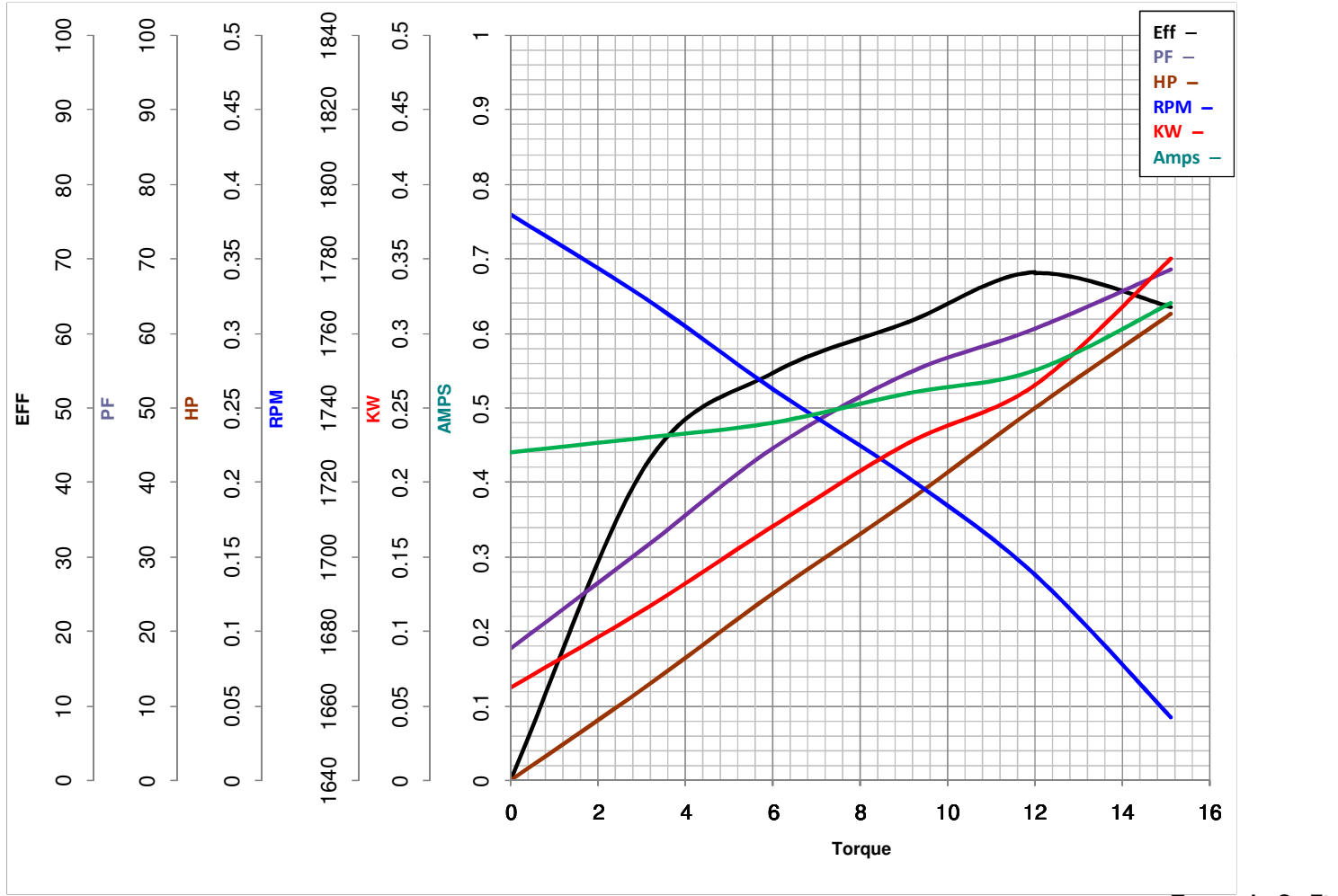
LEESON ELECTRIC CORPORATION
 TYPICAL PERFORMANCE CURVE for AC MOTOR

Model No 192018.00

Catalog No 192018.00

Curve at 460 Volts HP 0.25&0.25 PHASE 3
60 HZ
0.25 HP VOLTS 230/460&200/400

HZ 60&50 RPM 1700&1380



FL TORQUE	<u>12</u>	Oz.Ft	FL AMPS	<u>1.0/0.5</u>	
BD TORQUE	<u>33.0</u>	Oz.Ft	PU TORQUE	<u>27.6</u>	Oz.Ft
LR TORQUE	<u>29.5</u>	Oz.Ft	LR AMPS	<u>2.2</u>	
WINDING	QT6341-3		Date	5/23/2018	