

PRODUCT INFORMATION PACKET

marathon®
Motors

Model No: 184TBFW7737

Catalog No: Z121A

5 HP General Purpose Farm Duty Motor, 1 phase, 1800 RPM, 230 V, 184T Frame, TEFC
General Purpose Farm Duty Motors



Regal and Marathon are trademarks of Regal Rexnord Corporation or one of its affiliated companies.
©2021 Regal Rexnord Corporation, All Rights Reserved. MC017097E

RegalRexnord

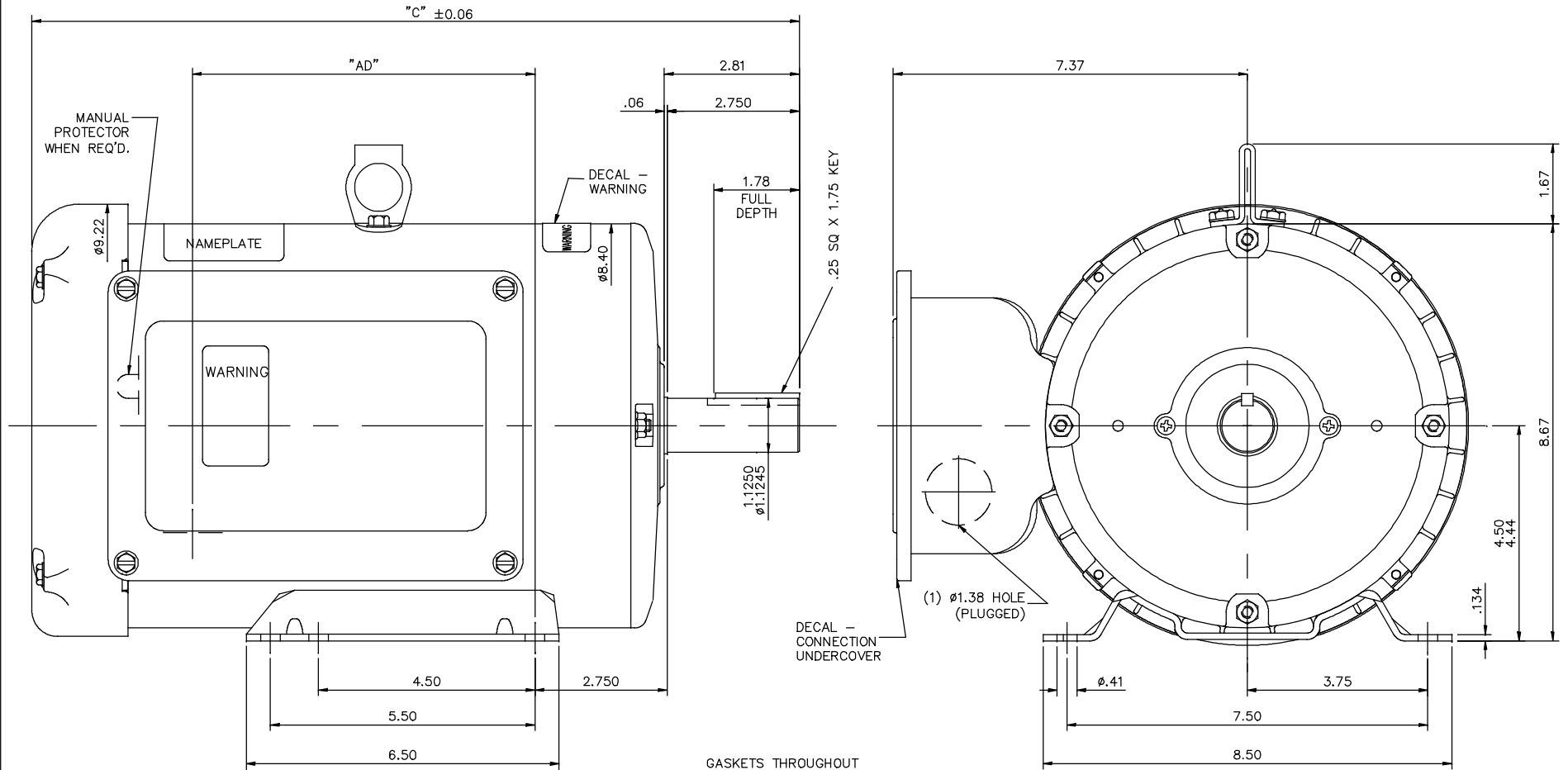
Nameplate Specifications

Output HP	5 Hp	Output KW	3.7 kW
Frequency	60 Hz	Voltage	230 V
Current	19.5 A	Speed	1755 rpm
Service Factor	1.15	Phase	1
Efficiency	85.5 %	Power Factor	96.5
Duty	Continuous	Insulation Class	F
Design Code	L	KVA Code	G
Frame	184T	Enclosure	Totally Enclosed Fan Cooled
Thermal Protection	Manual	Ambient Temperature	40 °C
Drive End Bearing Size	6206	Opp Drive End Bearing Size	6205
UL	Recognized (Not Protector)	CSA	Y
CE	Y	IP Code	43
Number of Speeds	1		

Technical Specifications

Electrical Type	Capacitor Start Capacitor Run	Starting Method	Across The Line
Poles	4	Rotation	Selective Counterclockwise
Resistance Main	0 Ohms	Mounting	Rigid Base
Motor Orientation	Horizontal	Drive End Bearing	Ball
Opp Drive End Bearing	Ball	Frame Material	Rolled Steel
Shaft Type	T	Overall Length	17.46 in
Frame Length	12.00 in	Shaft Diameter	1.125 in
Shaft Extension	2.81 in	Assembly/Box Mounting	F1 ONLY
Connection Drawing	005056.03ME	Outline Drawing	035636-1200

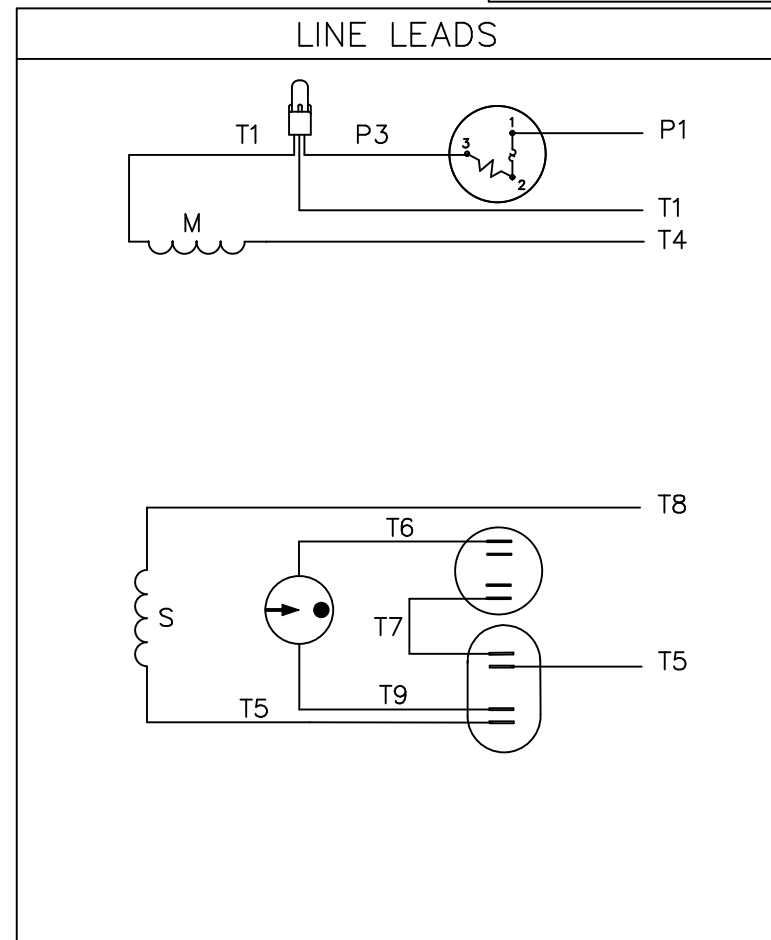
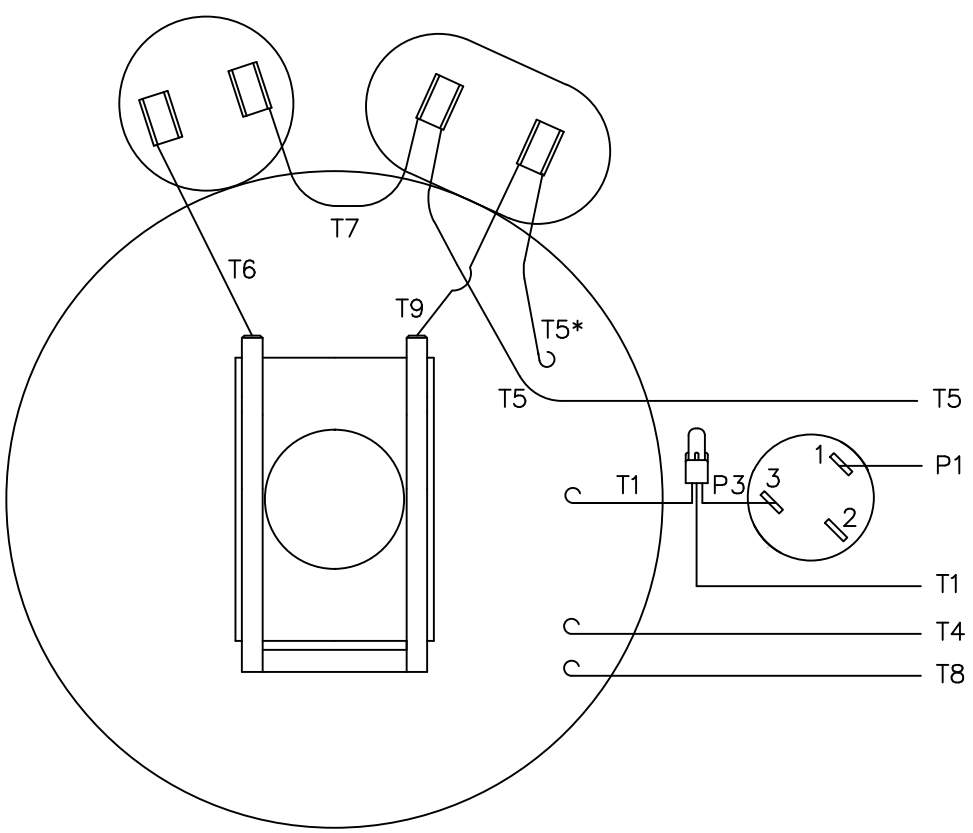
035636



DASH NO.	"C"	"AD"
1050	15.96	7.12
1100	16.46	7.62
1150	16.96	8.12
1200	17.46	8.62
1100	17.96	9.12
1150	18.46	9.62

TOLERANCES UNLESS SPECIFIED		DRAWN		YS 01/21/08	
DEC.	INCHES	CHK			
.X	±0	APPD			
.XX	±0	SCALE			
SR	.XXX ±0	TITLE	OUTLINE - 180T		
YS	01/21/08	REF	035540&037598		
BY & DATE	CHK	ANG	FINISH		
NO.	REVISION	RFP	CAD FILE		035636
THIS DRAWING IN DESIGN AND DETAIL IS OUR PROPERTY AND MUST NOT BE USED EXCEPT IN CONNECTION WITH OUR WORK. ALL RIGHTS OF DESIGN AND INVENTION ARE RESERVED. THIS IS AN ELECTRONICALLY GENERATED DOCUMENT - DO NOT SCALE THIS PRINT.		CHK	ANG	±0	FINISH
		DIST	SIZE		DRAWING NO.
			B	035636	
					REV. B

VIEW FROM OUTSIDE OF MOTOR AT SWITCH END.



ROTATION FACING LEAD END	L1	L2	JOIN
C.C.W.	P1	T4, T5	T1, T8
C.W.	P1	T4, T8	T1, T5

* THIS LEAD MAY BE WHITE

				TOLERANCES UNLESS SPECIFIED	
				DEC.	INCHES
				.X	±.1
				.XX	±.01
				.XXX	±.005
				.XXXX	±.0005
NO.	REVISION	BY & DATE	CHK	ANG	±1/2°

REGAL-BELOIT Motor Technologies

TITLE	EXTERNAL WIRING DIAGRAM TYPE "K" W/ PROTECTOR
MAT'L.	DECAL - 004015
FINISH	

DRAWN	LST 9/9/03
CHK	KH 9/9/03
APPD	
SCALE	1=1
REF	
FMF	139045
PREV	

THIS DRAWING IN DESIGN AND DETAIL IS OUR PROPERTY AND MUST NOT BE USED EXCEPT IN CONNECTION WITH OUR WORK ALL RIGHTS OF DESIGN AND INVENTION ARE RESERVED THIS IS AN ELECTRONICALLY GENERATED DOCUMENT - DO NOT SCALE THIS PRINT

RFP	CAD FILE	00505603ME	SIZE	DRAWING NO.	REV.
DIST	BRF-NLV		A	005056-03ME	



MARATHON ELECTRIC CORPORATION
TYPICAL PERFORMANCE CURVE for AC MOTOR

Customer

Curve at

230

Volts

HP 5.00

PHASE 1

Model No 184TBFW7737

60

HZ

VOLTS 230

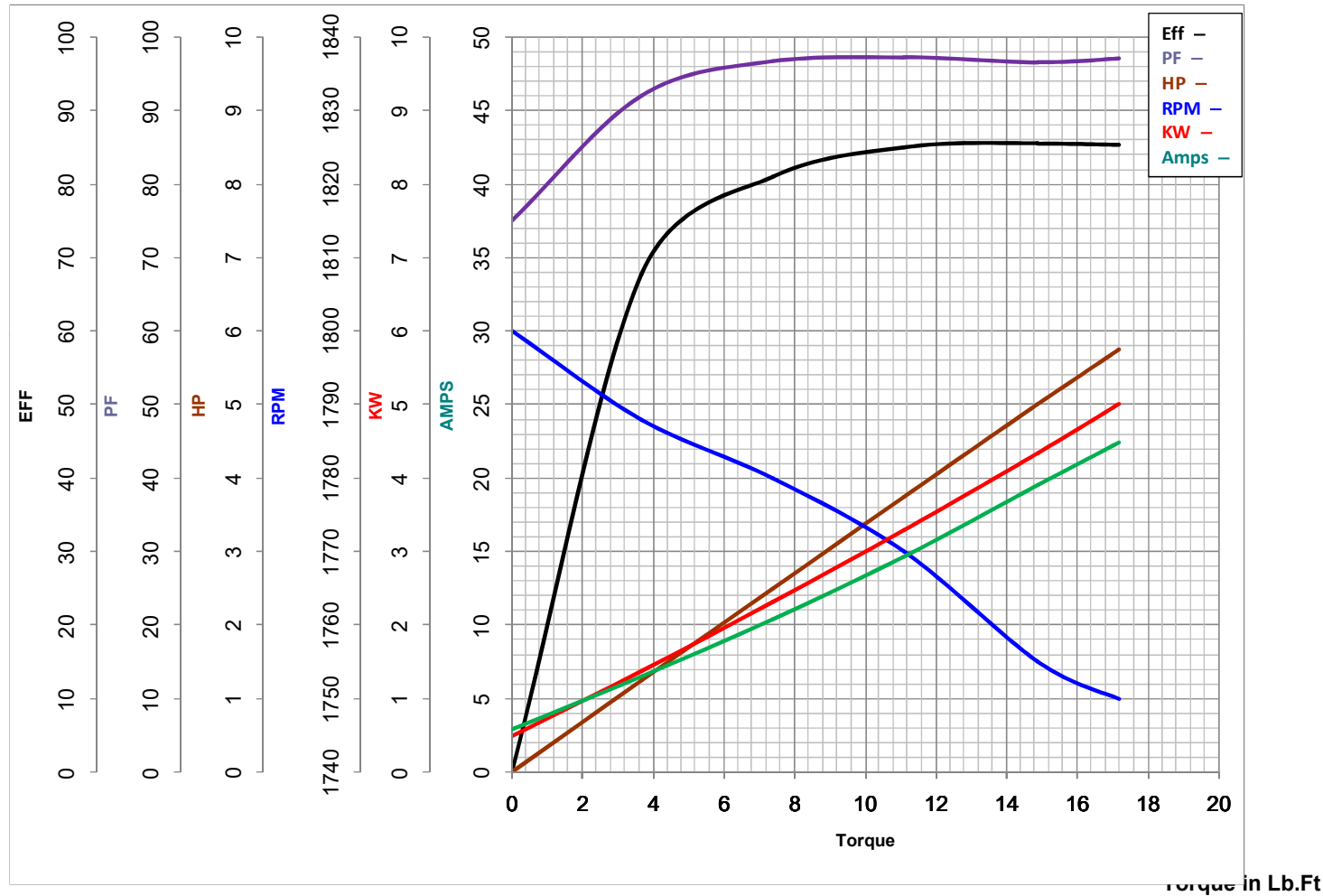
5

HP

Catalog No Z121A

HZ 60

RPM 1755



FL TORQUE	<u>14.9</u>	Lb.Ft	FL AMPS	<u>19.5</u>	
BD TORQUE	<u>37.5</u>	Lb.Ft	PU TORQUE	<u>29.5</u>	Lb.Ft
LR TORQUE	<u>38.9</u>	Lb.Ft	LR AMPS	<u>133.5</u>	
WINDING	K8495-2		Date	1/10/2019	