

# PRODUCT INFORMATION PACKET

Model No: 145TTWD6528

Catalog No: N438B

2 HP Washdown Motor, 3 phase, 1800 RPM, 208-230/460 V, 145TC Frame, TEFC  
Washdown Duty Motors



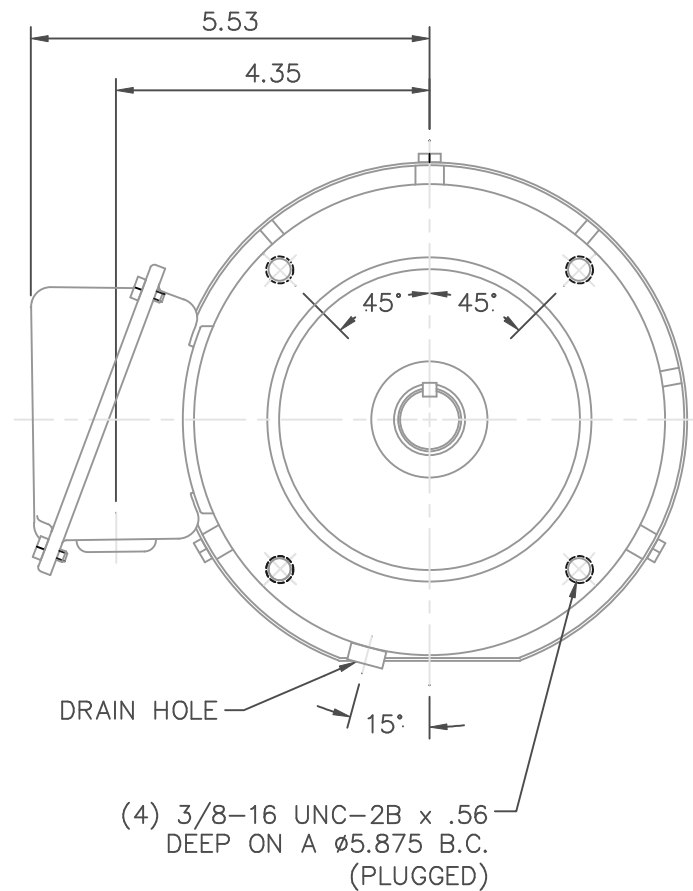
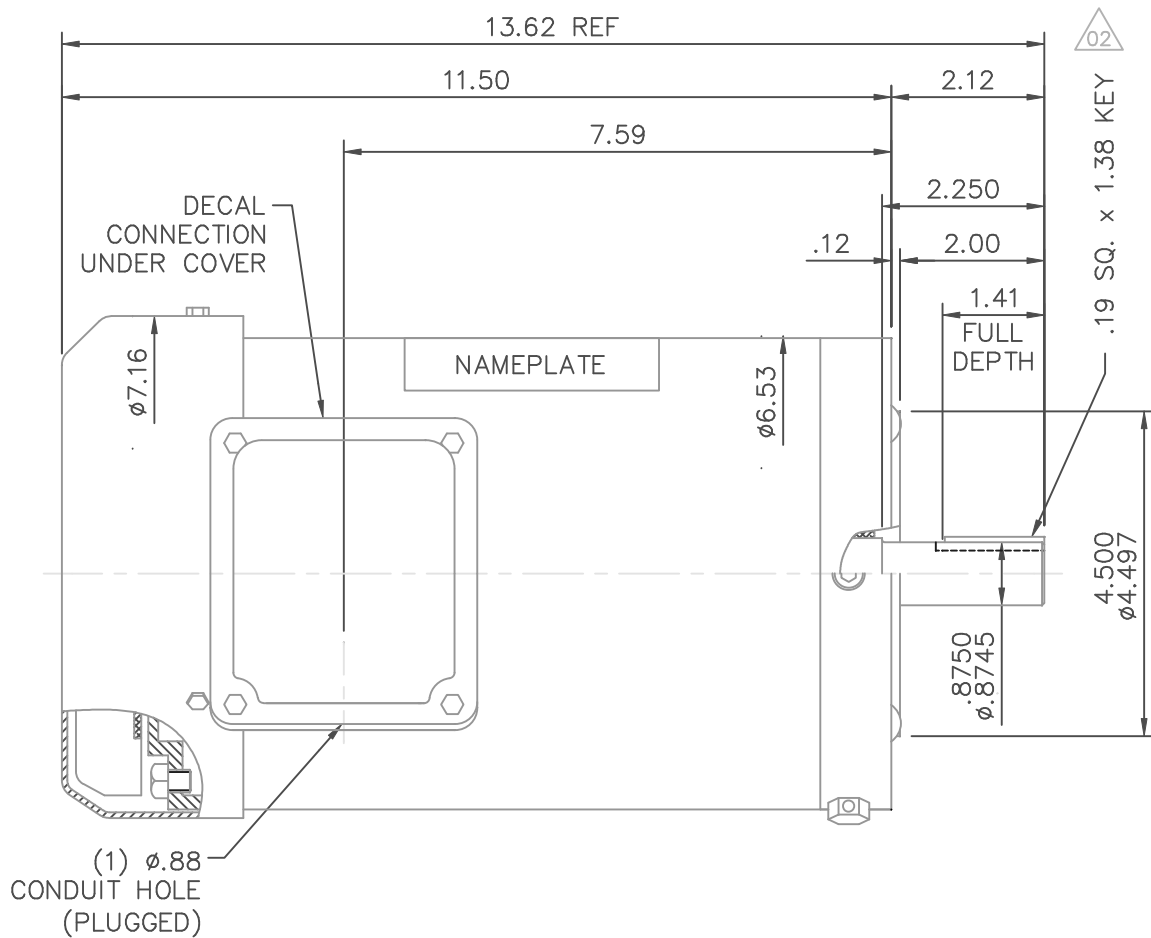
### Nameplate Specifications

Output HP	<b>2 Hp</b>	Output KW	<b>1.5 kW</b>
Frequency	<b>60/50 Hz</b>	Voltage	<b>208-230/460 V</b>
Current	<b>5.8-5.4/2.7 A</b>	Speed	<b>1750 rpm</b>
Service Factor	<b>1.15</b>	Phase	<b>3</b>
Efficiency	<b>86.5 %</b>	Power Factor	<b>80</b>
Duty	<b>Continuous</b>	Insulation Class	<b>F</b>
Design Code	<b>B</b>	KVA Code	<b>L</b>
Frame	<b>145TC</b>	Enclosure	<b>Totally Enclosed Fan Cooled</b>
Thermal Protection	<b>No</b>	Ambient Temperature	<b>40 °C</b>
Drive End Bearing Size	<b>6205</b>	Opp Drive End Bearing Size	<b>6205</b>
UL	<b>Recognized</b>	CSA	<b>Y</b>
CE	<b>Y</b>	IP Code	<b>55</b>

### Technical Specifications


Electrical Type	<b>Squirrel Cage Induction Run</b>	Starting Method	<b>Across The Line</b>
Poles	<b>4</b>	Rotation	<b>Reversible</b>
Resistance Main	<b>0 Ohms</b>	Mounting	<b>Round</b>
Motor Orientation	<b>Horizontal</b>	Drive End Bearing	<b>Ball</b>
Opp Drive End Bearing	<b>Ball</b>	Frame Material	<b>Stainless Steel</b>
Shaft Type	<b>T</b>	Overall Length	<b>13.62 in</b>
Frame Length	<b>7.54 in</b>	Shaft Diameter	<b>0.625 in</b>
Shaft Extension	<b>2.25 in</b>	Assembly/Box Mounting	<b>F1 Only</b>
Outline Drawing	<b>16992700ME</b>	Connection Drawing	<b>00501001ME</b>

This is an uncontrolled document once printed or downloaded and is subject to change without notice. Date Created:05/01/2021



MAXIMUM FACE RUNOUT TO BE .004 T.I.R.  
MAXIMUM PILOT ECCENTRICITY .004 T.I.R.  
PERMISSIBLE SHAFT RUNOUT .002 T.I.R.

GASKETS THROUGHOUT

				TOLERANCES UNLESS SPECIFIED			DRAWN MGM 04/09/03			
				DEC.	INCHES		CHK RDW 04/09/03			
				.X	±.1		APPD			
				.XX	±.03	TITLE	OUTLINE - 143-145TC FRAME			
				.XXX	±.005		TEFC - "C" FACE			
02	UPDATED SHAFT EXT DIMS	RDW 4/26/04	SW	.XXXX	±.0005	MAT'L.	SCALE 3=8			
01	CONDUIT HOLE WAS 1/2-14 NPT, DIM .157 WAS .12	SW 10/7/2003	RDW	ANG	±1/2'	FINISH	REF			
NO.	REVISION	BY & DATE	CHK				FMF			
			RFP				PREV			
THIS DRAWING IN DESIGN AND DETAIL IS OUR PROPERTY AND MUST NOT BE USED EXCEPT IN CONNECTION WITH OUR WORK ALL RIGHTS OF DESIGN AND INVENTION ARE RESERVED THIS IS AN ELECTRONICALLY GENERATED DOCUMENT - DO NOT SCALE THIS PRINT				DIST		CAD FILE	16992700ME	SIZE	DRAWING NO.	REV.
						A	169927.00ME		01	

VIEW FROM OUTSIDE OF MOTOR AT SWITCH END.



VOLTAGE	L1	L2	L3	JOIN & INSULATE
HIGH	T1	T2	T3	(T4,T7) (T5,T8) (T6,T9)
LOW	T1,T7	T2,T8	T3,T9	T4,T5,T6

		TOLERANCES UNLESS SPECIFIED		DRAWN RDW 04/12/02					
		DEC.	INCHES	CHK					
		.X	±.1	APPD					
		.XX	±.01	SCALE 1=1					
		.XXX	±.005	REF FIG.2-51					
		.XXXX	±.0005	FMF					
NO.	REVISION	BY & DATE	CHK	ANG	FINISH	PREV			
				±1/2"					
THIS DRAWING IN DESIGN AND DETAIL IS OUR PROPERTY AND MUST NOT BE USED EXCEPT IN CONNECTION WITH OUR WORK ALL RIGHTS OF DESIGN AND INVENTION ARE RESERVED THIS IS AN ELECTRONICALLY GENERATED DOCUMENT - DO NOT SCALE THIS PRINT			RFP	04/12/02	CAD FILE	00501001ME	SIZE	DRAWING NO.	REV.
			DIST				A	005010-01ME	



TITLE EXTERNAL WIRING DIAGRAM  
3 PHASE W/O PROTECTOR  
MAT'L. DECAL - 004014



**P.O. BOX 8003  
WAUSAU, WI 54401-8003  
PH. 715-675-3311**

**CERTIFICATION DATA SHEET**

**CUSTOMER:**  
**ORDER #:**  
**CONN. DIAGRAM:** 00501001ME  
**OUTLINE:** 16992700ME  
**WINDING #:** QT63422 FR 3 A

**CUSTOMER PO#:**  
**MODEL #:** 145TTWD6528 A  
**CUSTOMER PART #:**  
**MOUNTING:** F1 ONLY

**TYPICAL MOTOR PERFORMANCE DATA**

HP	kW	SYNC. RPM	F.L. RPM	FRAME	ENCLOSURE	KVA CODE	DESIGN
2&1 1/2	1.49&1.12	1800	1750&1450	145TC	TEFC	L	B

PH	Hz	VOLTS	AMPS	START TYPE	DUTY	INSL	S.F.	AMB°C
3	60/50	208-230/460&190/380	5.8-5.4/2.7&5/2.5	LINE OR INVERTER	CONTINUOUS	F3	1.15/1.15	40

FULL LOAD EFF:	86.5&86.5	3/4 LOAD EFF:	88.2	1/2 LOAD EFF:	85.9	GTD. EFF	ELEC. TYPE
FULL LOAD PF:	80&78.5	3/4 LOAD PF:	72.5	1/2 LOAD PF:	60.5	0	SQ CAGE INV RATED

F.L. TORQUE	LOCKED ROTOR AMPS	L.R. TORQUE	B.D. TORQUE	F.L. RISE°C
5.981 LB-FT	46.8 / 23.4	17.4 LB-FT 291 %	25.44 LB-FT 425 %	0

SOUND PRESSURE @ 3 FT.	SOUND POWER	ROTOR WK^2	MAX. WK^2	SAFE STALL TIME	STARTS / HOUR	APPROX. MOTOR WGT
- dBA	- dBA	0 LB-FT^2	- LB-FT^2	10 SEC.	-	52 LBS.

**\*\*\* SUPPLEMENTAL INFORMATION \*\*\***

DE BRACKET TYPE	ODE BRACKET TYPE	MOUNT TYPE	ORIENTATION	SEVERE DUTY	HAZARDOUS LOCATION	DRIP COVER	SCREENS	PAINT
C-FACE	STANDARD	ROUND	HORIZONTAL	FALSE	NONE	FALSE	NONE	NO PAINT

BEARINGS		GREASE	SHAFT TYPE	SPECIAL DE	SPECIAL ODE	SHAFT MATERIAL	FRAME MATERIAL
DE	ODE						
BALL	BALL	POLYREX EM	T	NONE	NONE	303 STAINLESS (C-501)	STAINLESS STEEL
6205	6205						

THERMO-PROTECTORS				THERMISTORS	CONTROL	SPACE HEATERS
THERMOSTATS	PROTECTORS	WDG RTDs	BRG RTDs			
NONE	NOT	NONE	NONE	NONE	FALSE	NONE VOLTS

\*  
N  
O  
T  
E  
S  
\*

<b>INVERTER</b> TORQUE: CONSTANT 10:1/VARIABLE 10:1 INV. HP SPEED RANGE: NONE
<b>ENCODER:</b> NONE NONE NONE NONE NONE PPR
<b>BRAKE:</b> NONE NONE NONE P/N NONE NONE NONE NONE FT-LB NONE V NONE Hz

**PREPARED BY:** Bhargavi Dontham  
**DATE:** 05/22/2019 05:24:25 AM  
FORM 3531 REV.3 02/07/99  
\*\* Subject to change without notice.

Data Sheet

Date: 6/20/2017

Customer: \_\_\_\_\_

Attention: \_\_\_\_\_

Submitted by: FAREEDA DUDEKULA



145TTWD6528

Submittal

Data @ 460 V

Motor Load Data

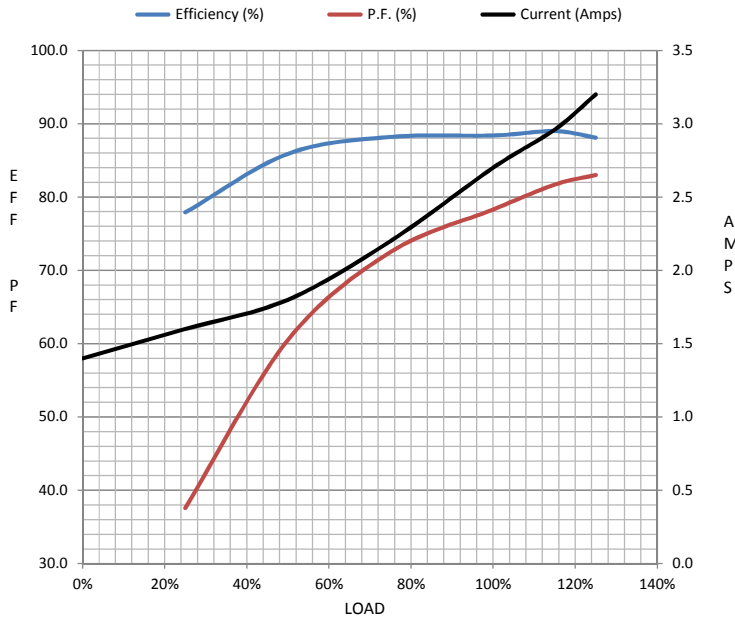
Load	0%	25%	50%	75%	100%	115%	125%	LR
Current (Amps)	1.40	1.60	1.80	2.20	2.70	2.96	3.2	23.4
Torque (ft-lb)	0.00	1.47	2.95	4.5	6.0	6.9	7.5	17.4
RPM	1800	1789	1779	1767	1754	1,747	1741	0
Efficiency (%)		77.9	85.9	88.2	88.4	89.0	88.1	
P.F. (%)	8.9	37.6	60.5	72.5	78.3	81.7	83.0	51.5

Motor Speed Data

	LR	Pull-Up	BD	Rated	Idle
Speed (RPM)	0	321	1364	1754	1800
Current (Amps)	23.4	22.9	14.2	2.70	1.40
Torque (ft-lb)	17.4	14.0	25.4	6.0	0.00

Information Block

HP	2.0			
Sync. RPM	1800			
Frame	0			
Enclosure	TEFC			
Construction	NA			
Voltage	3-230/460#190/V			
Frequency	60 Hz			
Design	B			
LR Code letter	L			
Service Factor	1.15			
Temp Rise @ FL	46 ° C			
Duty	CONT			
Ambient	40 ° C			
Elevation	1,000 feet			
Rotor/Shaft wk <sup>2</sup>	0.00 Lb-Ft <sup>2</sup>			
Ref Wdg	QT63422 FR			
Sound Pressure @ 1M	999 dBA			
VFD Rating	NONE			
Outline Dwg	16992700ME			
Conn. Diag	00501001ME			
Additional Specifications:				
0				
0				
EQUIV CKT (OHMS / PHASE)				
R1	R2	X1	X2	Xm
0.0000	0.0000	0.0000	0.0000	0.0000



Speed -Torque Curve

