

# PRODUCT INFORMATION PACKET

Model No: 145TBFR5341

Catalog No: Z128

2 HP General Purpose Farm Duty Motor, 1 phase, 1800 RPM, 115/230 V, 145T Frame, TEFC  
General Purpose Farm Duty Motors

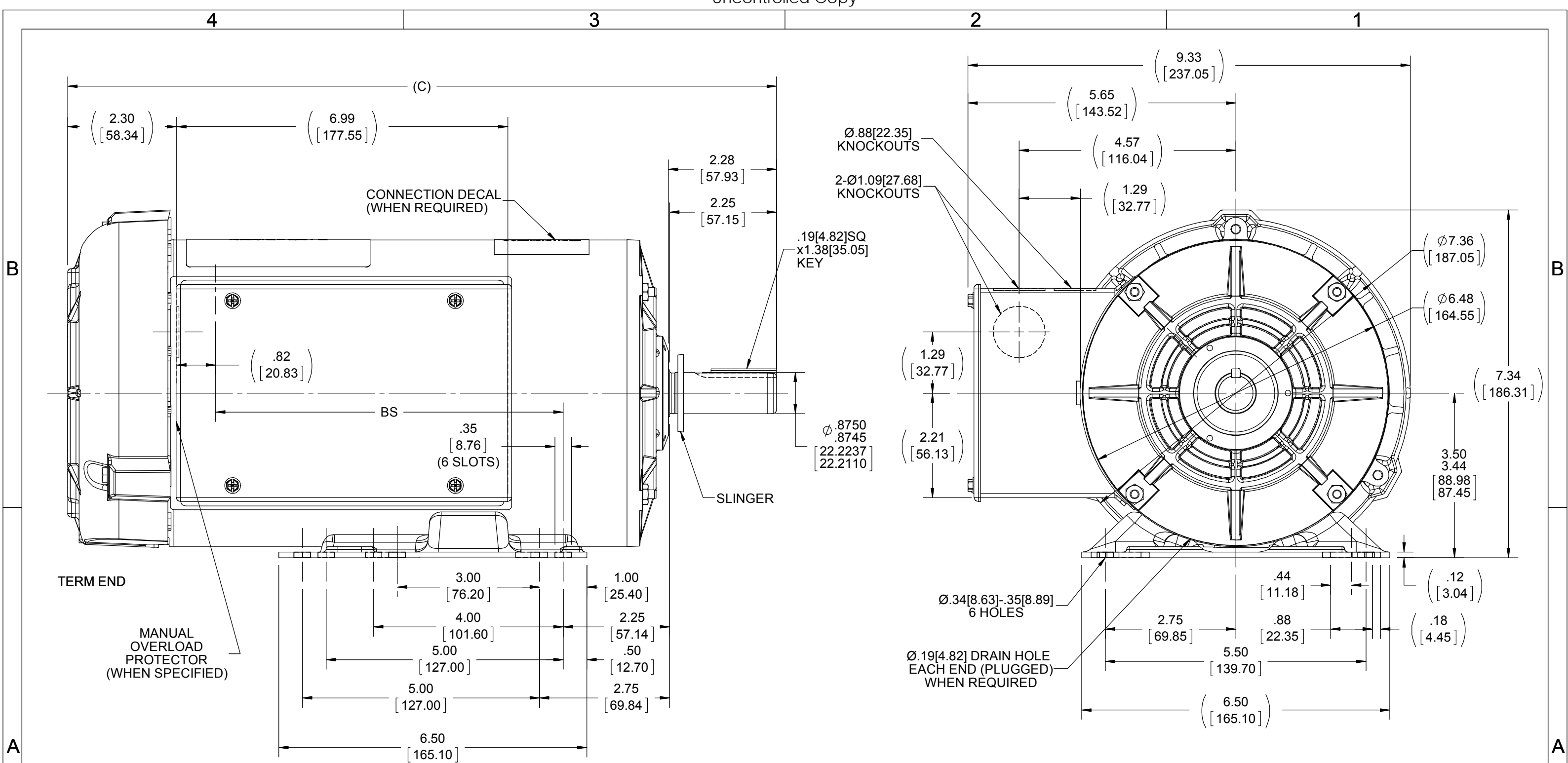


### Nameplate Specifications

Output HP	<b>2 Hp</b>	Output KW	<b>1.5 kW</b>
Frequency	<b>60 Hz</b>	Voltage	<b>115/230 V</b>
Current	<b>18.8/9.4 A</b>	Speed	<b>1740 rpm</b>
Service Factor	<b>1.15</b>	Phase	<b>1</b>
Efficiency	<b>81.5 %</b>	Power Factor	<b>86.1</b>
Duty	<b>Continuous</b>	Insulation Class	<b>B</b>
Design Code	<b>L</b>	KVA Code	<b>J</b>
Frame	<b>145T</b>	Enclosure	<b>Totally Enclosed Fan Cooled</b>
Thermal Protection	<b>Manual</b>	Ambient Temperature	<b>40 °C</b>
Drive End Bearing Size	<b>6205</b>	Opp Drive End Bearing Size	<b>6203</b>
UL	<b>Recognized ( Not Protector)</b>	CSA	<b>Y</b>
CE	<b>Y</b>	IP Code	<b>43</b>
Number of Speeds	<b>1</b>		

### Technical Specifications

Electrical Type	<b>Capacitor Start Capacitor Run</b>	Starting Method	<b>Across The Line</b>
Poles	<b>4</b>	Rotation	<b>Selective Counterclockwise</b>
Resistance Main	<b>0 Ohms</b>	Mounting	<b>Rigid Base</b>
Motor Orientation	<b>Horizontal</b>	Drive End Bearing	<b>Ball</b>
Opp Drive End Bearing	<b>Ball</b>	Frame Material	<b>Rolled Steel</b>
Shaft Type	<b>T</b>	Overall Length	<b>14.87 in</b>
Frame Length	<b>9.56 in</b>	Shaft Diameter	<b>0.875 in</b>
Shaft Extension	<b>2.25 in</b>	Assembly/Box Mounting	<b>F1 Only</b>
Outline Drawing	<b>A-108681-956</b>	Connection Drawing	<b>A-102006-52</b>

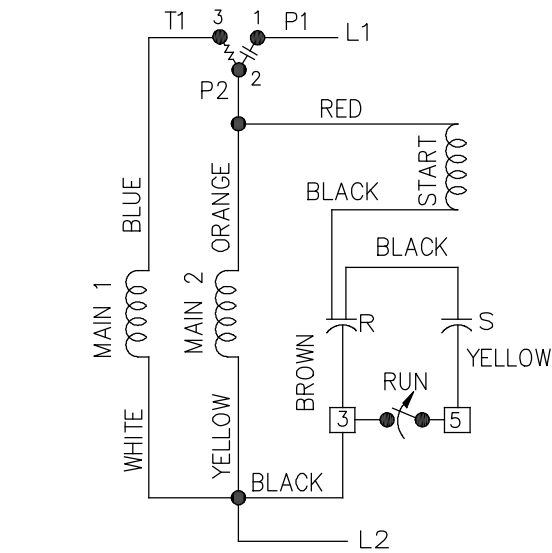


NOTE:-  
1) NAMEPLATE READ FROM CONDUIT BOX SIDE.

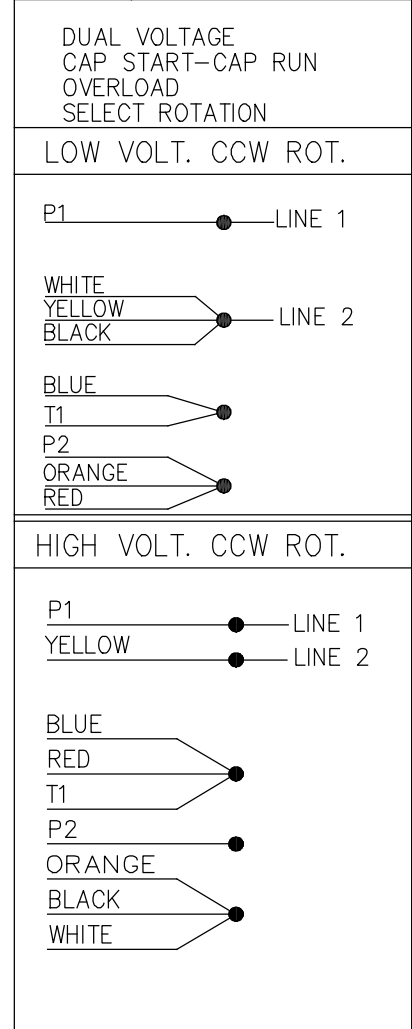
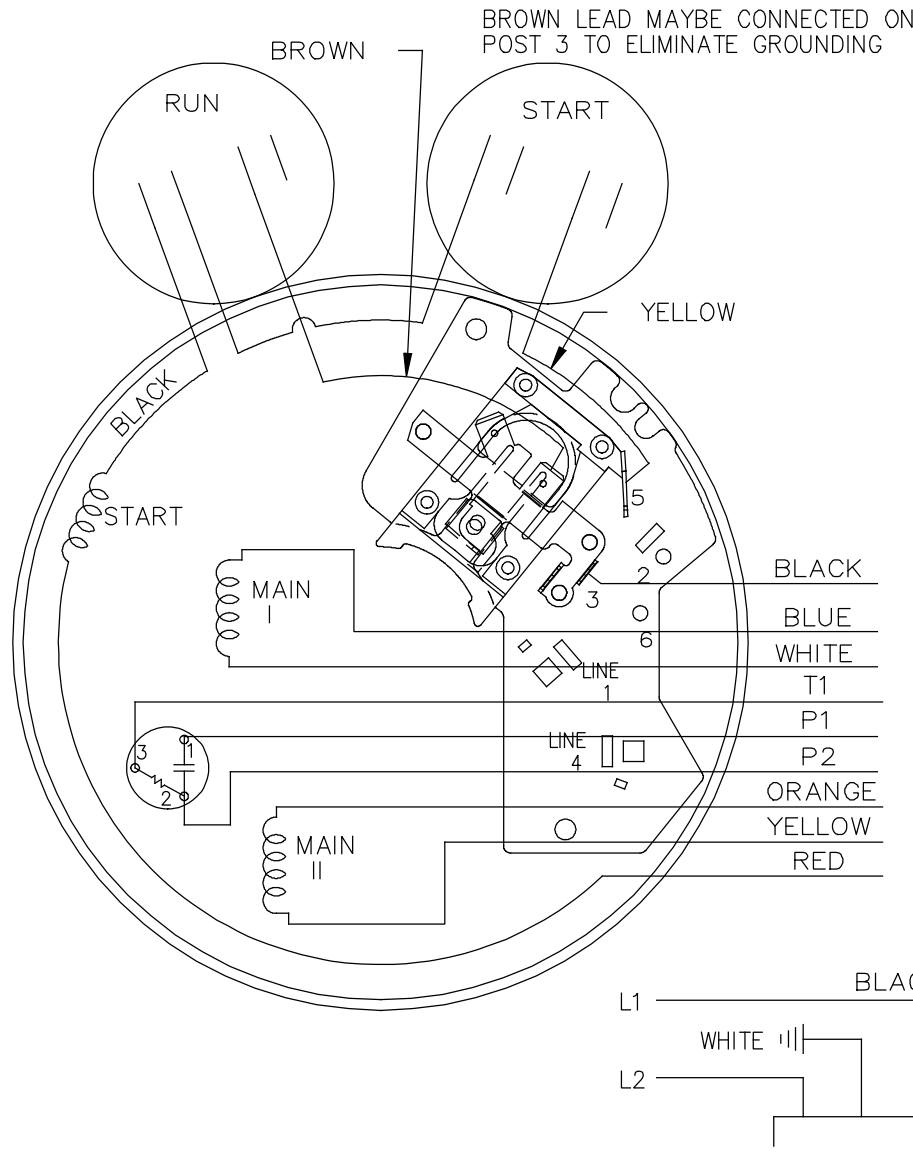
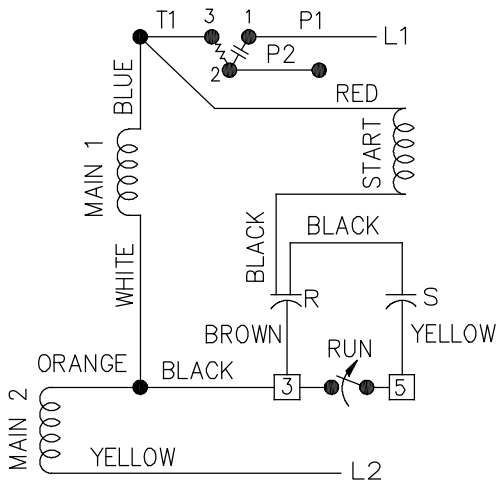
DRAWING REVISION A	REVISION BY S SAHOO	DATE 02/12/2019	TOLERANCES UNLESS OTHERWISE SPECIFIED: DEC. INCH mm ANGLE .X ±0.1 [±2.5] ±7° 30" .XX ±0.03 [±0.76] .XXX ±0.005 [±0.127] .XXXX ±0.0005 [±0.0127] REMOVE BURRS & BREAK SHARP EDGES: .003/.015 [0.076/.381] X 45° CORNER FILLETS: R.02 [5.1] MACHINED SURFACES: 200 5.1 mm SHOWN IN [BRACKETS]	DRAWN BY S SAHOO	<b>REGAL</b> ™ Regal Beloit America, Inc.	
ECO ECO-0162621	APPROVED BY D SURYAWANSHI	DATE 02/28/2019		DATE 02/12/2019		
ECO DESCRIPTION <b>OUTLINE CONVERSION PROJECT</b> COPYRIGHT REGAL BELOIT AMERICA, INC. ALL RIGHTS RESERVED. PROPRIETARY AND CONFIDENTIAL INFORMATION - THIS DOCUMENT IS THE PROPERTY OF REGAL BELOIT AMERICA, INC. ("OWNER") AND CONTAINS OWNER'S PROPRIETARY INFORMATION. ANY PERSON, CORPORATION OR OTHER FIRM RECEIVING IT IS DEEMED, BY RECEIVING IT, TO AGREE THAT IT, AND/OR ANY PART OF IT, SHALL NOT BE DISCLOSED TO ANY PERSON, CORPORATION OR OTHER ENTITY, DUPLICATED, AND/OR USED, EXCEPT AS EXPRESSLY APPROVED IN WRITING IN ADVANCE BY OWNER. THIS DOCUMENT SHALL BE RETURNED TO OWNER UPON REQUEST. IT MAY BE SUBJECT TO CERTAIN RESTRICTIONS UNDER APPLICABLE EXPORT CONTROL LAWS AND REGULATIONS.				APPROVED BY D SURYAWANSHI	DESCRIPTION <b>OUTLINE</b> 140/56 HZ FR. - TEFCΦ - BB	
DASH	C	BS		DATE 02/28/2019	MATERIAL	PROCESS/FINISH
956	14.94 [379.47]	7.33 [186.18]		REFERENCE 100116	SIZE B	DRAWING NUMBER 108681
				THIRD ANGLE PROJECTION		SHEET 1 OF 1

DASH	C	BS
956	14.94 [379.47]	7.33 [186.18]

LOW VOLTAGE C.C.W.



HIGH VOLTAGE C.C.W.



FOR CW ROT. EITHER VOLTAGE INTERCHANGE RED WITH BLACK LEAD.

14	UDATED LOGO TO REGAL	SN	01-09-2020	TOLERANCES UNLESS SPECIFIED		<b>Regal Beloit America, Inc.</b>	DRAWN ML 05-09-1992	
13	CHG'ED SWITCH TO OPEN WHEN RUNNING ISAAC 11-2715	KBB	06-23-2011	EH	DEC. INCHES		CHK GK 05-09-1992	
12	REMOVE 1,2,3 & 4 ON LOW & HIGH VOLT CN 31436	TJB	02-14-2002	DRS	.X ±.1	APPD FG 05-09-1992	SCALE 5=8	
11	REMOVE BRAKE VIEW CN 31436	TJB	01-30-2002	DRS	.XX ±.02	TITLE CONNECTION DIAGRAM	REF	
10	ADDED BROW LEAD DETAIL NOTE CN 24300-323	BJW	02-28-2000		.XXX ±.005		REF	
9	ADDED CORD VIEW MU20434	BLR	07-01-1998		.XXXX ±.0005	MAT'L.	FMF	
NO.	REVISION	BY & DATE	CHK	ANG	±7'30"	FINISH	PREV	
THIS DRAWING IN DESIGN AND DETAIL IS OUR PROPERTY AND MUST NOT BE USED EXCEPT IN CONNECTION WITH OUR WORK ALL RIGHTS OF DESIGN AND INVENTION ARE RESERVED THIS IS AN ELECTRONICALLY GENERATED DOCUMENT - DO NOT SCALE THIS PRINT						RFP	CAD FILE 102006-52	SIZE A
						DIST WP	DRAWING NO. 102006-52	PAGE OF 14
								REV. 14

**CERTIFICATION DATA SHEET**

**Model#:** 145TBFR5341 BE  
**CONN. DIAGRAM:** A-102006-52  
**OUTLINE:** A-100116-956

**WINDING#:** ZB411 NONE 3  
**ASSEMBLY:** F1 ONLY

**TYPICAL MOTOR PERFORMANCE DATA**

HP	KW	SYNC. RPM	F.L. RPM	FRAME	ENCLOSURE	KVA CODE	DESIGN
2	1.49	1800	1740	145T	TEFC	J	L

PH	Hz	VOLTS	FL AMPS	START TYPE	DUTY	INSL	S.F	AMB°C	ELEVATION
1	60	115/230	18.8/9.4	ACROSS THE LINE	CONTINUOUS	B3	1.15	40	3300

FULL LOAD EFF: 81.5	3/4 LOAD EFF: 79.2	1/2 LOAD EFF: 74.3	GTD. EFF	ELEC. TYPE	NO LOAD AMPS
FULL LOAD PF: 86.1	3/4 LOAD PF: 82	1/2 LOAD PF: 73.7	0	CAP START CAP RUN	7.8 / 3.9

F.L. TORQUE	LOCKED ROTOR AMPS	L.R. TORQUE	B.D. TORQUE	F.L. RISE°C
6.02 LB-FT	127 / 63.5	15.9 LB-FT 264	14.9 LB-FT 248	80

SOUND PRESSURE @ 3 FT.	SOUND POWER	ROTOR WK^2	MAX. WK^2	SAFE STALL TIME	STARTS / HOUR	APPROX. MOTOR WGT
- dBA	- dBA	0 LB-FT^2	- LB-FT^2	10 SEC.	-	0 LBS.

**\*\*\* SUPPLEMENTAL INFORMATION \*\*\***

DE BRACKET TYPE	ODE BRACKET TYPE	MOUNT TYPE	ORIENTATION	SEVERE DUTY	HAZARDOUS LOCATION	DRIP COVER	SCREENS	PAINT
STANDARD	BRAKE	RIGID	HORIZONTAL	FALSE	NONE	FALSE	NONE	GRAY (POWDER)

BEARINGS		GREASE	SHAFT TYPE	SPECIAL DE	SPECIAL ODE	SHAFT MATERIAL	FRAME MATERIAL
DE	OPE						
BALL	BALL	POLYREX EM	T	NONE	NONE	1144 STRESSPROOF (C-223)	ROLLED STEEL
6205	6203						

THERMO-PROTECTORS				THERMISTORS	CONTROL	SPACE /n HEATERS
THERMOSTATS	PROTECTORS	WDG RTDs	BRG RTDs			
NONE	MANUAL	NONE	NONE	NONE	FALSE	NONE VOLTS

If Inverter equals NONE, contact factory for further information

\*  
N  
O  
T  
E  
S  
\*

INVERTER TORQUE: NONE
INV. HP SPEED RANGE: NONE
ENCODER: NONE
NONE NONE
NONE NONE PPR
BRAKE: PROVISIONS FOR KIT NONE
NONE P/N NONE
NONE NONE
NONE FT-LB NONE V NONE Hz

DATE: 06/23/2017 01:42:01 AM  
 FORM 3531 REV.3 02/07/99  
 \*\* Subject to change without notice.



**MARATHON ELECTRIC CORPORATION**  
TYPICAL PERFORMANCE CURVE for AC MOTOR

Customer

Curve at

230 Volts  
60 HZ  
2 HP

HP 2.00

PHASE 1

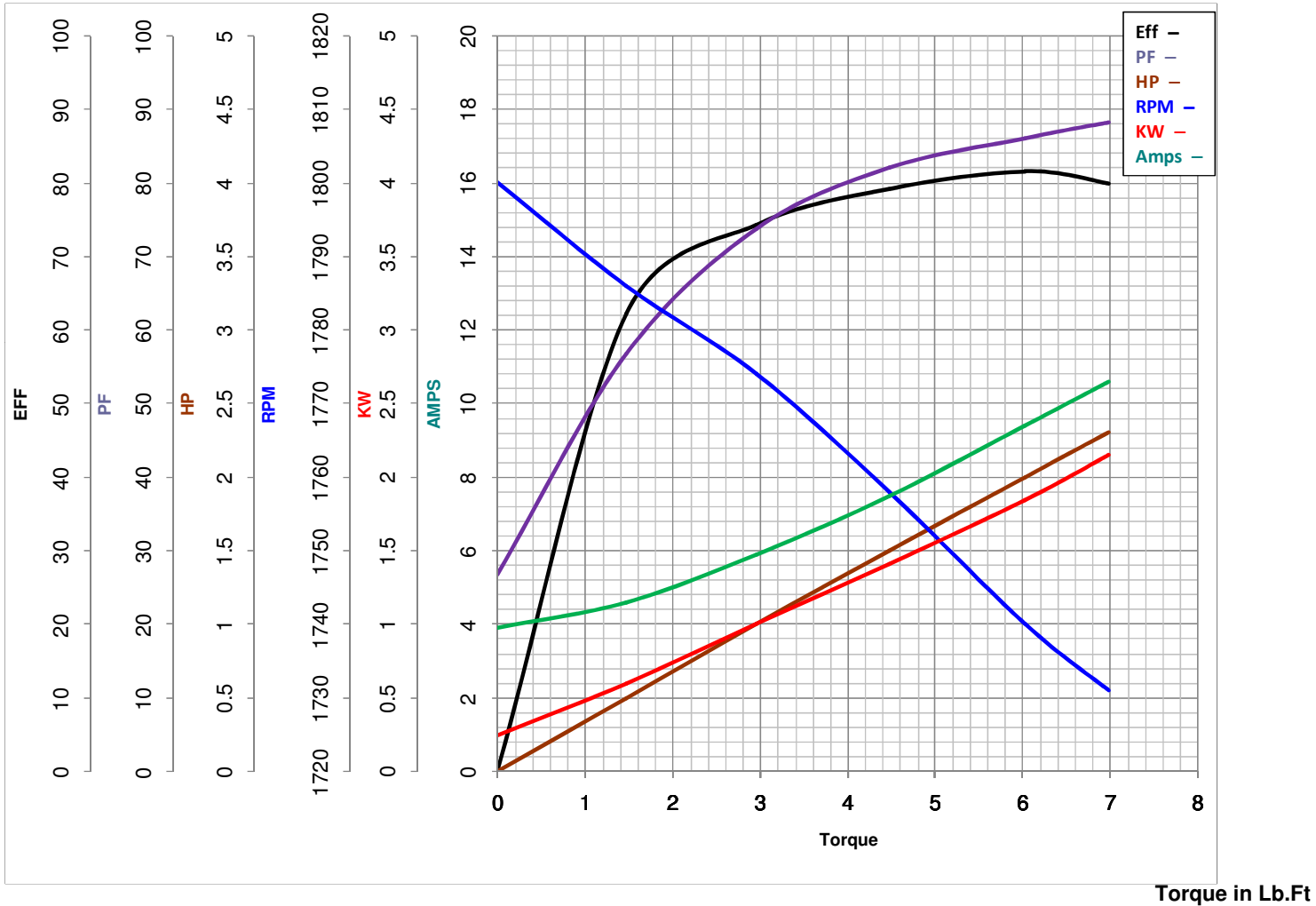
Model No 145TBFR5341

VOLTS 115/230

Catalog No Z128

HZ 60

RPM 1740



FL TORQUE	<u>6.02</u>	Lb.Ft	FL AMPS	<u>18.8/9.4</u>	
BD TORQUE	<u>14.9</u>	Lb.Ft	PU TORQUE	<u>14.3</u>	Lb.Ft
LR TORQUE	<u>15.9</u>	Lb.Ft	LR AMPS	<u>63.5</u>	
WINDING	ZB411-		Date		