

# PRODUCT INFORMATION PACKET

Model No: 132STFC6501

Catalog No: R327A

7.50 HP, Cast Iron Motors, 3 phase, 3600 RPM, 230/460 V, 132S Frame, TEFC  
Cast Iron Motors



Regal and Marathon are trademarks of Regal Rexnord Corporation or one of its affiliated companies.  
©2021 Regal Rexnord Corporation, All Rights Reserved. MC017097E



### Nameplate Specifications

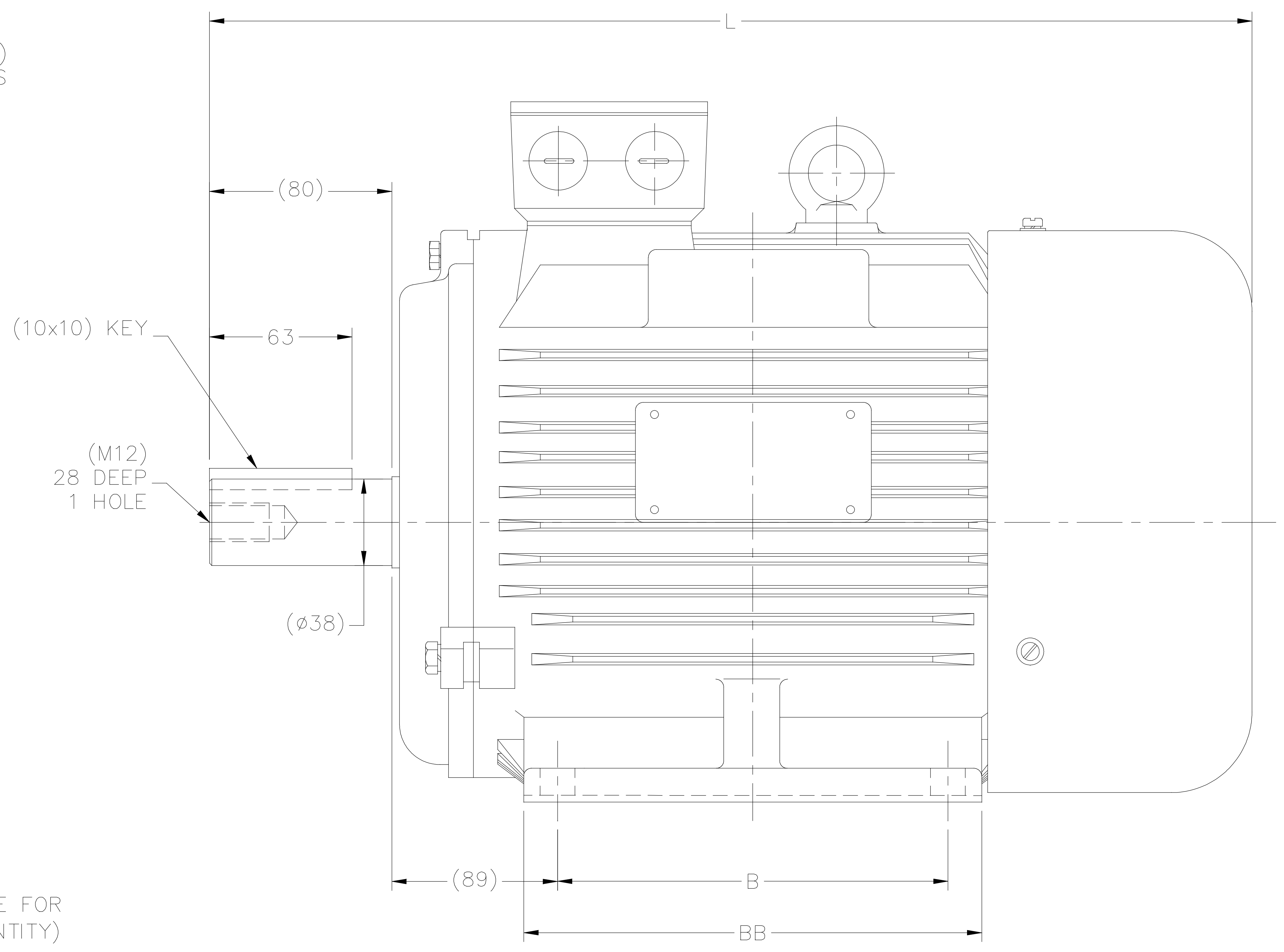
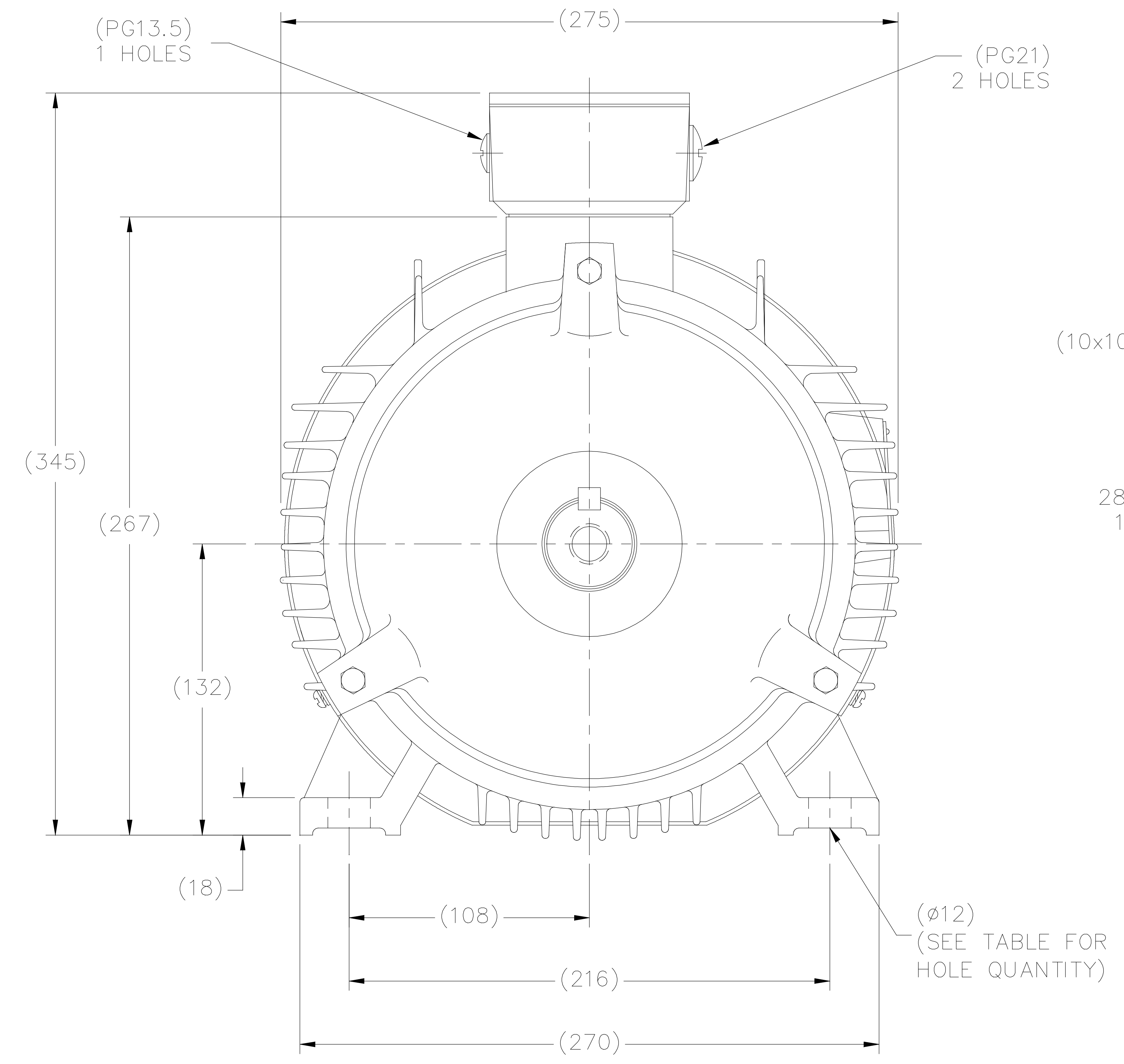
Output HP	<b>7.50 Hp</b>	Output KW	<b>5.6 kW</b>
Frequency	<b>60 Hz</b>	Voltage	<b>230/460 V</b>
Current	<b>18.0/9.0 A</b>	Speed	<b>3540 rpm</b>
Service Factor	<b>1.15</b>	Phase	<b>3</b>
Efficiency	<b>89.5 %</b>	Power Factor	<b>87</b>
Duty	<b>Continuous</b>	Insulation Class	<b>F</b>
Design Code	<b>B</b>	KVA Code	<b>H</b>
Frame	<b>132S</b>	Enclosure	<b>Totally Enclosed Fan Cooled</b>
Thermal Protection	<b>No</b>	Ambient Temperature	<b>40 °C</b>
Drive End Bearing Size	<b>6208</b>	Opp Drive End Bearing Size	<b>6207</b>
UL	<b>No</b>	CSA	<b>N</b>
CE	<b>Y</b>	IP Code	<b>55</b>
Number of Speeds	<b>1</b>		

### Technical Specifications

Electrical Type	<b>Squirrel Cage Inverter Rated</b>	Starting Method	<b>Line Or Inverter</b>
Poles	<b>2</b>	Rotation	<b>Reversible</b>
Resistance Main	<b>0 Ohms</b>	Mounting	<b>Rigid Base</b>
Motor Orientation	<b>Horizontal</b>	Drive End Bearing	<b>Ball</b>
Opp Drive End Bearing	<b>Ball</b>	Frame Material	<b>Cast Iron</b>
Shaft Type	<b>IEC</b>	Overall Length	<b>18.26 in</b>
Shaft Diameter	<b>1.500 in</b>	Shaft Extension	<b>3.14 in</b>
Assembly/Box Mounting	<b>F3</b>	Inverter Load	<b>CONSTANT 20:1</b>
Outline Drawing	<b>SS622237</b>	Connection Drawing	<b>004172.03</b>

This is an uncontrolled document once printed or downloaded and is subject to change without notice. Date Created:11/30/2021

SS622237



(DRAWING NOT TO SCALE)

(DIMENSIONS ARE IN MILLIMETERS)

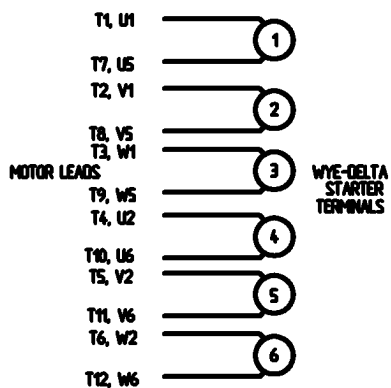
DF132S	4	461	140	186
DF132M	4	499	178	224
FRAME	# HOLES	L	B	BB

NO.	REVISION	BY & DATE	CHK	ANG	TOLERANCES UNLESS SPECIFIED		FINISH	DRAWN MSG 11-16-2010				
					DEC.	METRIC						
4	TABLE AND DIMENSIONS UPDATED	NK 07-05-18	NK	.X	±2.5			CHK MJS 11-18-2010				
3	(4) FOOT HOLES WERE (6) ECO-0130304	WGJ 10-2-17	EMH	.XX	±.76			APPD SB 11-18-2010				
2	REM CAT# FROM BLOCK-FOR CAT# SEE SS622237-CAT	MOL 11-29-12		.XXX	±.127		TITLE OUTLINE - IEC PREMIUM DF132-R FRAME	SCALE NONE				
1	REV PG13.5 HOLES WERE 2 QTY	MOL 09-24-12		.XXXX	±.0127		MAT'L.	REF				
					±7'30"			FMF HEBEI				
								PREV				
THIS DRAWING IN DESIGN AND DETAIL IS OUR PROPERTY AND MUST NOT BE USED EXCEPT IN CONNECTION WITH OUR WORK ALL RIGHTS OF DESIGN AND INVENTION ARE RESERVED THIS IS AN ELECTRONICALLY GENERATED DOCUMENT - DO NOT SCALE THIS PRINT							RFP 11-18-2010	CAD FILE SS622237	SIZE B	DRAWING NO. SS622237	PAGE OF	REV. H

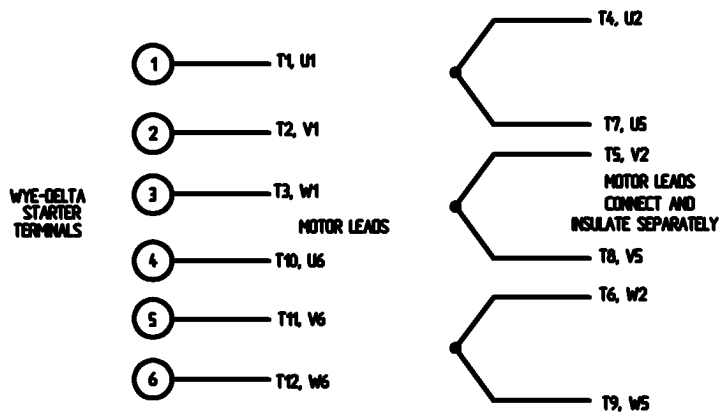


WYE - DELTA STARTING USEABLE ON 2,4 AND 6 POLE MOTORS.

LOW VOLTAGE CONNECTION

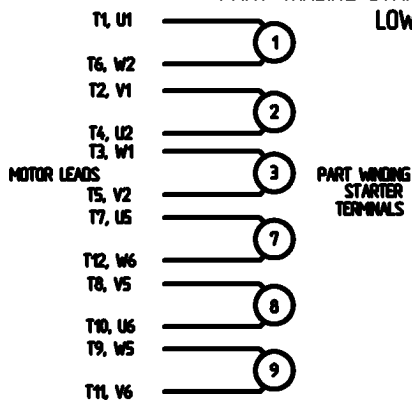


HIGH VOLTAGE CONNECTION



REFER TO THE WYE-DELTA STARTER CONNECTION INSTRUCTIONS FOR PROPER CONNECTION OF POWER LINES TO STARTER.

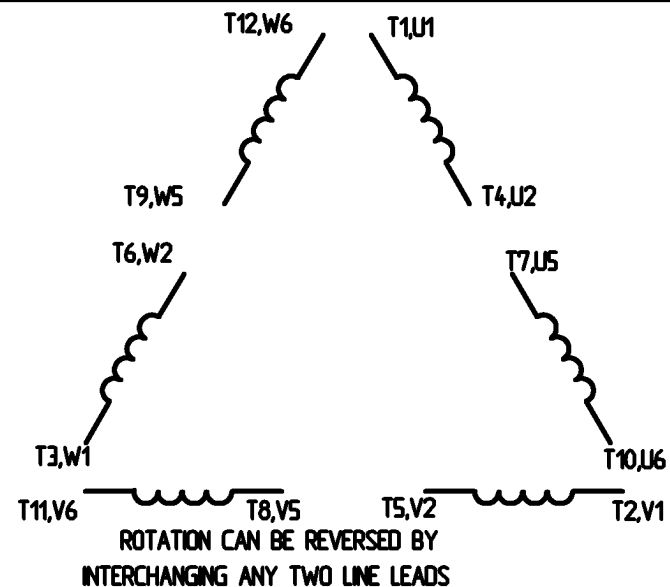
PART WINDING START USABLE ON 4 & 6 POLE MOTORS  
LOW VOLTAGE CONNECTION ONLY



REFER TO THE PART WINDING STARTER INSTRUCTIONS FOR PROPER CONNECTION OF POWER LINES TO STARTER.

REFER TO THE CUTLER - HAMMER OR EQUIV. FOR PROPER SELECTION OF OVERLOAD HEATER COILS.

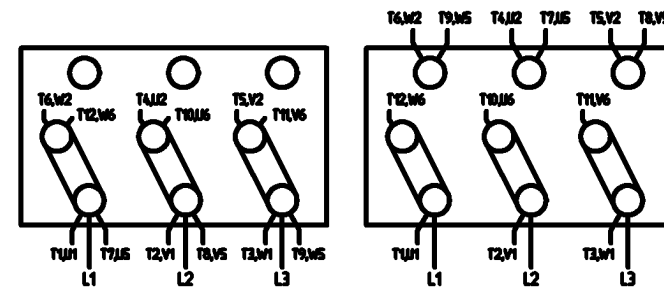
LINE LEADS



12 LEAD DELTA CONNECTION ACROSS THE LINE START  
(FOR Y START DELTA RUN, REMOVE THE JUMPERS)

LOW VOLTAGE  
MUST BE REWIRED AS SHOWN

HIGH VOLTAGE  
FACTORY WIRED FOR HIGH VOLTAGE AS SHOWN



				TOLERANCES UNLESS SPECIFIED		<p><b>ELECTRIC MOTORS GEARMOTORS AND DRIVES</b></p>	DRAWN <b>CW 08/28/02</b> CHK APPD SCALE <b>1:1</b> REF FMF PREV
				DEC.	INCHES		TITLE <b>DELTA - WYE CONNECTION DIAGRAM IEC CAST IRON MOTORS</b>
				X	+ 1		
				XX	+ .01		
				XXX	+ .005		
				XXXX	+ .0005	MAT'L	
NO.	REVISION	BY & DATE	CHK	ANG	+ 1/2°	FINISH	PREV
THIS DRAWING IN DESIGN AND DETAIL IS OUR PROPERTY AND MUST NOT BE USED EXCEPT IN CONNECTION WITH OUR WORK. ALL RIGHTS OF DESIGN AND INVENTION ARE RESERVED. THIS IS AN ELECTRONICALLY GENERATED DOCUMENT - DO NOT SCALE THIS PRINT.				REP	CAD FILE	00417203	SIZE <b>A</b>
				DST			DRAWING NO. <b>004172-03</b>
							REV.

ERROR: syntaxerror  
OFFENDING COMMAND: --nostringval--

STACK:

/CB  
-dictionary-  
/Pscript\_WinNT\_Compat  
-dictionary-



P.O. BOX 8003  
 WAUSAU, WI 54401-8003  
 PH. 715-675-3311

DATA VOLTS: 460

**CERTIFICATION DATA SHEET**

CUSTOMER: \_\_\_\_\_  
 ORDER #: \_\_\_\_\_  
 CONN. DIAGRAM: 004172.03  
 OUTLINE: SS622237  
 WINDING: T10702025 NONE 3  
 SPEED: \_\_\_\_\_

CUSTOMER P.O. #: \_\_\_\_\_  
 REFERENCE MODEL #: 132STFC6501  
 CAT #: R327A  
 CUSTOMER PART #: \_\_\_\_\_  
 MOUNTING: F3

**TYPICAL MOTOR PERFORMANCE DATA**

HP	KW	SYNC RPM	FL RPM	FRAME	ENCLOSURE	TYPE	KVA CODE	DESIGN
7.5	5.6	3600	3540	132S	TEFC	TFC	H	N

PH	HZ	VOLTS	AMPS	START TYPE	DUTY	INSL	S.F.	AMB	ELEV.
3	60/50	230/460#200/400	18/9&14.4/7.2	LINE OR INVERTER	CONT	F	1.15	40	3300

F.L. EFF	89.5	3/4 LD EFF	89.5	1/2 LD EFF	87.5	GTD EFF	ELECT. TYPE
F.L. PF	87.0	3/4 LD PF	84.0	1/2 LD PF	76.0	86.5	SQ CAGE INV RATED

F.L. TORQUE	LR AMPS @ 460 V	L.R. TORQUE	B.D. TORQUE	F.L. RISE (° C)
11.1 LB-FT	62.0	20.5 LB-FT 185%	35.2 LB-FT 317%	40

@ 3 FT.	POWER	ROTOR WK <sup>2</sup>	MAX. LOAD WK <sup>2</sup>	SAFE STALL TIME	STARTS/HOUR	MOTOR WGT
65 dBA	74 dBA	0.00 LB-FT <sup>2</sup>	0 LB-FT <sup>2</sup>	20 SEC.	0	155 LB.

**\*\*\* SUPPLEMENTAL INFORMATION \*\*\***

DE BRACKET TYPE	ODE BRACKET TYPE	MOUNT TYPE	MOTOR ORIENTATION	SEVERE DUTY	HAZARDOUS LOCATION	DRIP COVER	SCREENS	PAINT
STANDARD	STANDARD	RIGID	HORIZONTAL	UM SEVERE	NONE	NO	NONE	BLUE (ENAMEL)

BEARINGS		GREASE	SHAFT TYPE	SPECIAL DE	SPECIAL ODE	SHAFT MATERIAL	FRAME MATERIAL
DE	ODE	POLYREX EM	STANDARD IEC	NONE	NONE	1045 HOT ROLLED (C-204)	CAST IRON
BALL	BALL						
6208	6206						

THERMOSTATS	PROTECTORS	WDG RTD's	BRG RTD's	THERMISTORS	CONTROL	SPACE HEATERS
NONE	NOT	NONE	NONE	NONE	FALSE	NA

R1 (ohms/ph)	R2 (ohms/ph)	X1 (ohms/ph)	X2 (ohms/ph)	Xm (ohms/ph)	VIBRATION (in/sec)	FLOAT
0	0	0	0	0	0.080	ODE

* N O T E S *	<b>INVERTER TORQUE: CONSTANT 20:1</b>					
	<b>INV. HP SPEED RANGE: 1.5 X BASE SPEED</b>					
	ENCODER: NONE					
	NONE					
	NONE PPR					

<b>PREPARED BY:</b> EARL BABBITTS <b>DATE:</b> 13-07-17	BRAKE: NONE	
	NONE	NONE
	FT-LB: NA	HZ:
	VOLTAGE: NONE	UL: NONE

FORM: 3531 REV\_4 2/27/06

Data Sheet

Date: 6/20/2017

132STFC6501

Customer: \_\_\_\_\_



Attention: \_\_\_\_\_

Submittal

Submitted by: FAREEDA DUDEKULA

Data @ 460 V

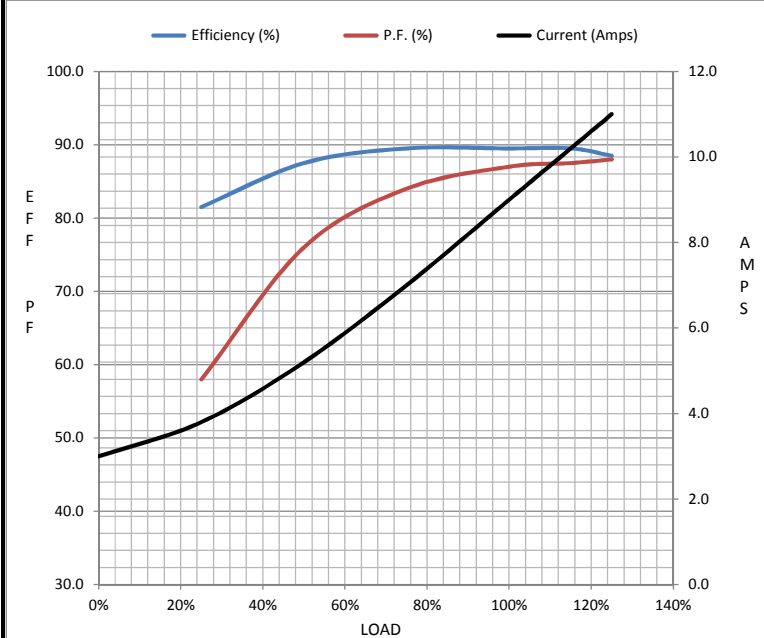
Motor Load Data

Load	0%	25%	50%	75%	100%	115%	125%	LR
Current (Amps)	3.0	3.8	5.2	7.0	9.0	10.2	11.0	62.0
Torque (ft-lb)	0.00	2.80	5.5	8.3	11.1	12.8	13.9	20.5
RPM	3600	3588	3572	3558	3540	3532	3522	0
Efficiency (%)		81.5	87.5	89.5	89.5	89.5	88.5	
P.F. (%)	12.0	58.0	76.0	84.0	87.0	87.5	88.0	42.0

Motor Speed Data

	LR	Pull-Up	BD	Rated	Idle
Speed (RPM)	0	1800	3250	3540	3600
Current (Amps)	62.0	58.0	38.5	9.0	3.0
Torque (ft-lb)	20.5	19.0	35.2	11.1	0.00

Information Block				
HP	7.5			
Sync. RPM	3600			
Frame	132			
Enclosure	TEFC			
Construction	TFC			
Voltage	30/460#200/401V			
Frequency	60 Hz			
Design	B			
LR Code letter	H			
Service Factor	1.15			
Temp Rise @ FL	40 °C			
Duty	CONT			
Ambient	40 °C			
Elevation	1,000 feet			
Rotor/Shaft wk <sup>2</sup>	0.00 Lb-Ft <sup>2</sup>			
Ref Wdg	T10702025 NONE			
Sound Pressure @ 1M	65 dBA			
VFD Rating	CONSTANT 20:1			
Outline Dwg	SS622237			
Conn. Diag	004172.03			
Additional Specifications:				
0				
0				
EQUIV CKT (OHMS / PHASE)				
R1	R2	X1	X2	Xm
0.0000	0.0000	0.0000	0.0000	0.0000



Speed -Torque Curve

