

PRODUCT INFORMATION PACKET



Model No: 131463.00
Catalog No: 131463.00
3 HP Air Compressor Motor, 3 phase, 1800 RPM, 230/460 V, 182T Frame, TEFC
Air Compressor Motors



Regal and Leeson are trademarks of Regal Rexnord Corporation or one of its affiliated companies.
©2021 Regal Rexnord Corporation, All Rights Reserved. MC017097E





Nameplate Specifications

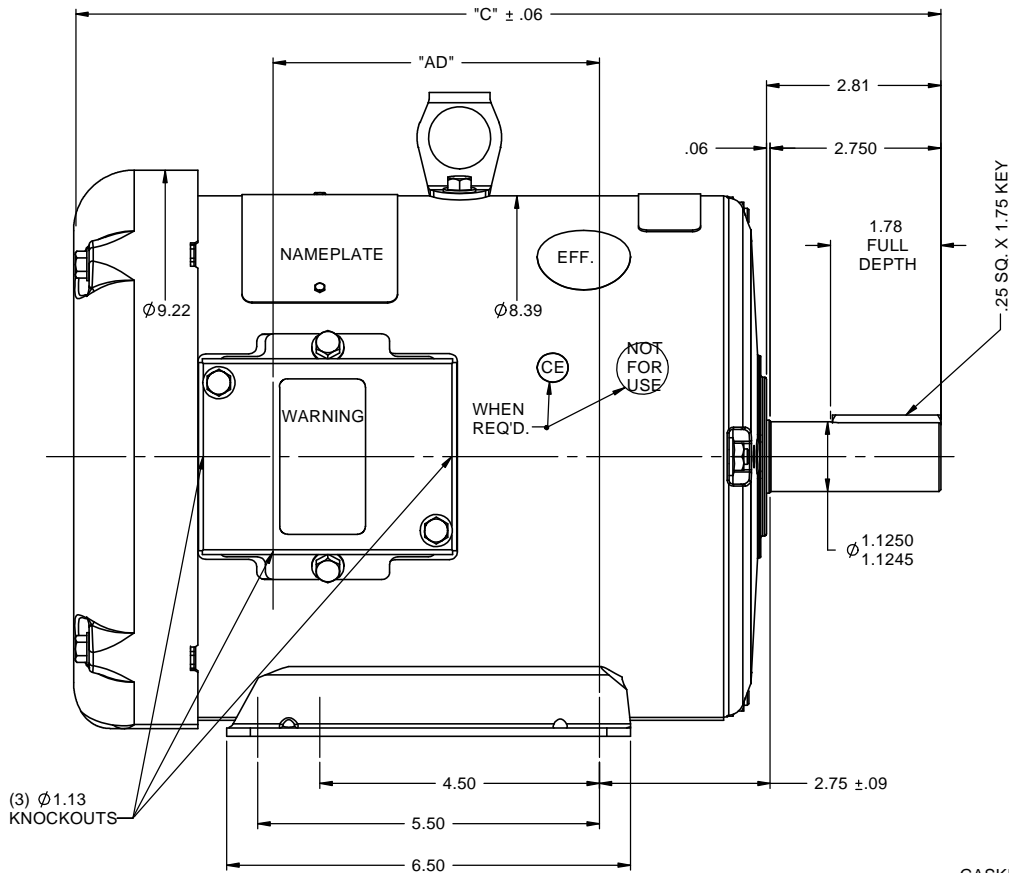
Output HP	3 Hp	Output KW	2.2 kW
Frequency	60 Hz	Voltage	230/460 V
Current	7.8/3.9 A	Speed	1760 rpm
Service Factor	1.15	Phase	3
Efficiency	89.5 %	Power Factor	80.0
Duty	Continuous	Insulation Class	F
Design Code	B	KVA Code	K
Frame	182T	Enclosure	Totally Enclosed Fan Cooled
Thermal Protection	Thermostats (N/C)	Ambient Temperature	40 °C
Drive End Bearing Size	6206	Opp Drive End Bearing Size	6205
UL	Recognized	CSA	Y
CE	Y	IP Code	43
Number of Speeds	1		

Technical Specifications

Electrical Type	Squirrel Cage Induction Run	Starting Method	Across The Line
Poles	4	Rotation	Reversible
Resistance Main	6.08 Ohms	Mounting	Rigid Base
Motor Orientation	Horizontal	Drive End Bearing	Ball
Opp Drive End Bearing	Ball	Frame Material	Rolled Steel
Shaft Type	T	Overall Length	13.96 in
Frame Length	8.50 in	Shaft Diameter	1.125 in
Shaft Extension	2.75 in	Assembly/Box Mounting	F1 ONLY
Connection Drawing	005010.20	Outline Drawing	035465-850

This is an uncontrolled document once printed or downloaded and is subject to change without notice. Date Created:10/07/2021

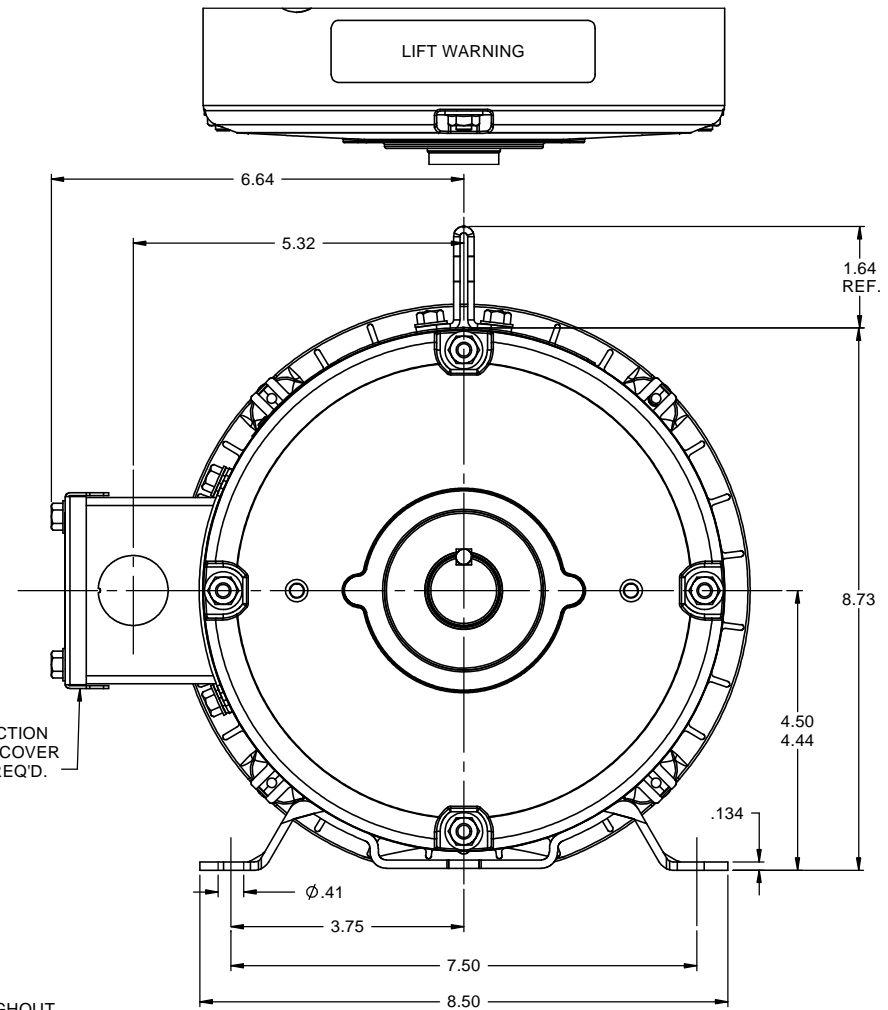
RBC PROPRIETARY AND CONFIDENTIAL INFORMATION
 This document is the property of REGAL BELOIT CORPORATION ("RBC") including its subsidiaries and divisions and contains proprietary information of RBC. This document is loaned on the express condition that neither it nor the information contained therein shall be disclosed to others without the express written consent of RBC, and that the information shall be used by the recipient only as approved expressly by RBC. This document shall be returned to RBC upon its request. This document may be subject to certain restrictions under U.S. export control laws and regulations.



(3) Ø1.13 KNOCKOUTS

DECAL-
CONNECTION
UNDER COVER
WHEN REQ'D.

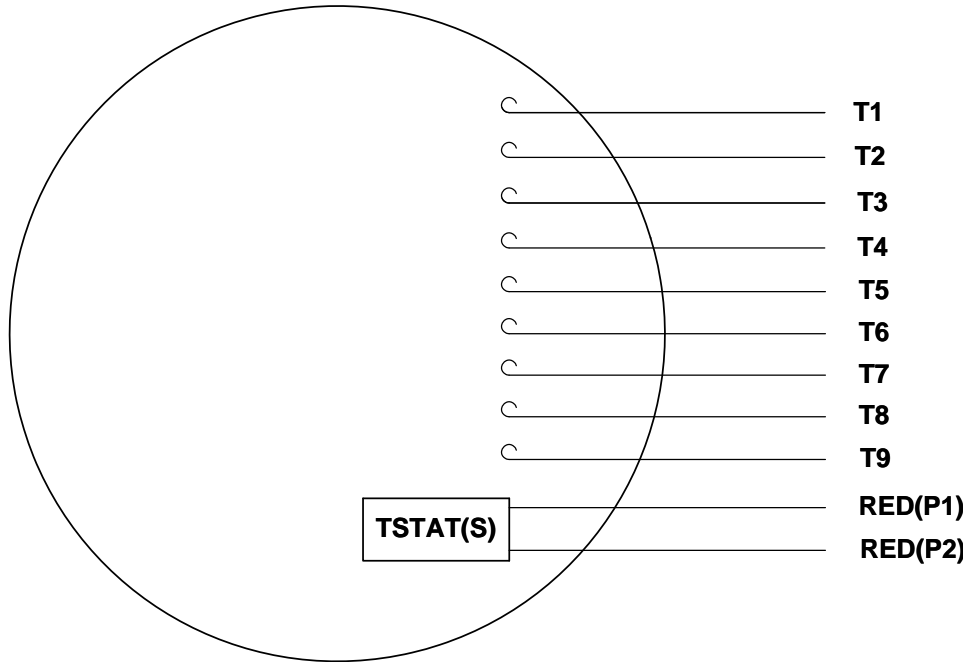
GASKET THROUGHOUT



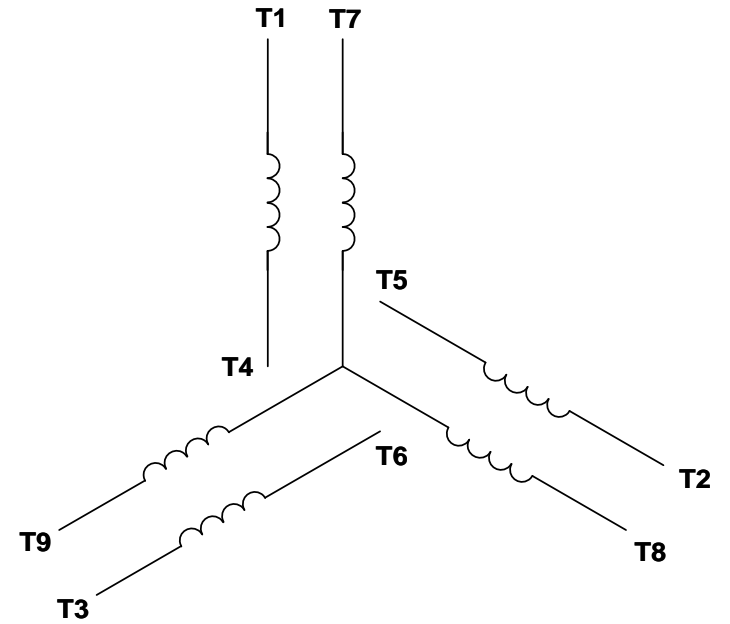
DASH NO.	"C"	"AD"
750	12.96	4.25
800	13.46	4.75
850	13.96	5.25
900	14.46	5.75
950	14.96	6.25
1000	15.46	6.75
1050	15.96	7.25
1100	16.46	7.75
1150	16.96	8.25

TOLERANCES UNLESS SPECIFIED				REGAL BELOIT CORPORATION	DRAWN						
DEC	INCHES				MGM 2/21/03						
		X	±.1	TITLE OUTLINE - 180T FRAME TEFC - RIGID MATL GENERAL PURPOSE	CHK						
		XX	±.03		RDW 2/21/03						
02	REV TO MATCH ORACLE	LST	8/13/2010		XX	SCALE 1:2					
-	UPDATE & REDRAWN IN SOLIDWORKS	LST	12/10/2009		XX	REF 035450					
NO	REVISION	BY & DATE	CHK	ANG ±1/2°	FINISH						
			RFP	PREV	PAGE OF						
THIRD ANGLE PROJECTION				NETWORK FILE NAME	035465	SIZE	B	DRAWING NO	035465	REV	02

VIEW FROM OUTSIDE OF MOTOR AT SWITCH END. Uncontrolled Copy



LINE LEADS



VOLTAGE	L1	L2	L3	JOIN & INSULATE
HIGH	T1	T2	T3	(T4,T7) (T5,T8) (T6,T9)
LOW	T1,T7	T2,T8	T3,T9	T4,T5,T6

DRAWING REVISION **G** REVISION BY **MVG** DATE **04/05/2017**

ECO **ECO-0121253** APPROVED BY **SM** DATE **04/05/2017**

ECO DESCRIPTION
ADDED P1 & P2 FOR TSTAT

COPYRIGHT REGAL BELOIT AMERICA, INC. ALL RIGHTS RESERVED.
PROPRIETARY AND CONFIDENTIAL INFORMATION - THIS DOCUMENT IS THE PROPERTY OF
REGAL BELOIT AMERICA, INC. ('OWNER') AND CONTAINS OWNER'S PROPRIETARY
INFORMATION. ANY PERSON, CORPORATION OR OTHER FIRM RECEIVING IT IS DEEMED,
BY RECEIVING IT, TO AGREE THAT IT, AND/OR ANY PART OF IT, SHALL NOT BE DISCLOSED
TO ANY PERSON, CORPORATION OR OTHER ENTITY, DUPLICATED, AND/OR USED, EXCEPT
AS EXPRESSLY APPROVED IN WRITING IN ADVANCE BY OWNER. THIS DOCUMENT SHALL
BE RETURNED TO OWNER UPON REQUEST. IT MAY BE SUBJECT TO CERTAIN
RESTRICTIONS UNDER APPLICABLE EXPORT CONTROL LAWS AND REGULATIONS.

TOLERANCES UNLESS OTHERWISE SPECIFIED:

DEC.	INCH	mm	ANGLE
.X	±0.1	[±2.5]	±0.5°
.XX	±0.01	[±0.25]	
.XXX	±0.005	[±0.127]	
.XXXX	±0.0005	[±0.0127]	

REMOVE BURRS & BREAK SHARP EDGES: .003/.015 [.076/.381] X 45°
CORNER FILLETS: R.02 [.51]
MACHINED SURFACES: 125/3.2 INCH/mm
mm SHOWN IN [BRACKETS]

DRAWN BY **DBT 12/16/97**

DATE

APPROVED BY **KH 12/17/97**

DATE

REFERENCE

THIRD ANGLE PROJECTION

REGAL™ Regal Beloit America, Inc.

DESCRIPTION
CONN DIAGRAM-EXTERNAL
3 PHASE WITH PROTECTOR

MATERIAL **DECAL - 004014 (TSTAT) - 080582** PROCESS/FINISH **STOCK**

SIZE **A** DRAWING NUMBER **00501020** SHEET **1 OF 1**

P.O. BOX 8003
WAUSAU, WI 54401-8003
PH. 715-675-3311



DATA VOLTS: 460

CERTIFICATION DATA SHEET

CONN. DIAGRAM: 005010.20
OUTLINE: 035465-850
WINDING: T84174

CAT #: 131463.00

FR 3

TYPICAL MOTOR PERFORMANCE DATA

HP	KW	SYNC RPM	FL RPM	FRAME	ENCLOSURE	TYPE	KVA CODE	DESIGN
3	2.2	1800	1770	182T	TEFC	TFW	K	B

PH	HZ	VOLTS	AMPS	START TYPE	DUTY	INSL	S.F.	AMB	ELEV.
3	60	230/460	7.8/3.9	ACROSS THE LINE	CONT	F	1.15	40	3300

F.L. EFF	89.5	3/4 LD EFF	89.6	1/2 LD EFF	87.7	GTD EFF	0.0	ELECT. TYPE	SQ CAGE IND RUN
F.L. PF	80.5	3/4 LD PF	73.8	1/2 LD PF	62.7				

F.L. TORQUE	LR AMPS @ 460 V	L.R. TORQUE	B.D. TORQUE	F.L. RISE (°C)
8.9 LB-FT	33.5	22.5 LB-FT 253%	36.0 LB-FT 404%	40

PRESSURE @ 3	POWER	ROTOR WK²	MAX. LOAD WK²	SAFE STALL TIME	STARTS/HOUR	MOTOR WGT
0 dBA	9 dBA	0.38 LB-FT²	0 LB-FT²	10 SEC.	2	0 LB.

***** SUPPLEMENTAL INFORMATION *****

DE BRACKET TYPE	ODE BRACKET TYPE	MOUNT TYPE	MOTOR ORIENTATION	SEVERE DUTY	HAZARDOUS LOCATION	DRIP COVER	SCREENS	PAINT
STANDARD	STANDARD	RIGID	HORIZONTAL	NO	NONE	NO	NONE	IN - LEESON WATTS

BEARINGS		GREASE	SHAFT TYPE	SPECIAL DE	SPECIAL ODE	SHAFT MATERIAL	FRAME MATERIAL
DE	ODE						
BALL	BALL	POLYREX EM	T	NONE	NONE	1144 STRESSPROOF (C-223)	ROLLED STEEL
6206	6205						

THERMOSTATS	PROTECTORS	WDG RTD's	BRG RTD's	THERMISTORS	CONTROL	SPACE HEATERS
TSTATS (N/C)	AUTOMATIC	NONE	NONE	NONE	FALSE	NA

R1 (ohms/ph)	R2 (ohms/ph)	X1 (ohms/ph)	X2 (ohms/ph)	Xm (ohms/ph)	VIBRATION (in/sec)	FLOAT
0	0	0	0	0	0.080	ODE

* N O T E S *	INVERTER TORQUE: NONE	
	INV. HP SPEED RANGE: NONE	
	ENCODER: NONE	
	NONE	
	NONE	

DATE: 1/17/2018	BRAKE: NONE	
	NONE	
	NONE	
	NONE	
FT-LB: NA		
VOLTAGE: NONE		
UL: Y-(LEESON UL REC)		
HZ:		

Data Sheet

Date: 1/17/2018

131463.00



Data @ 460 V

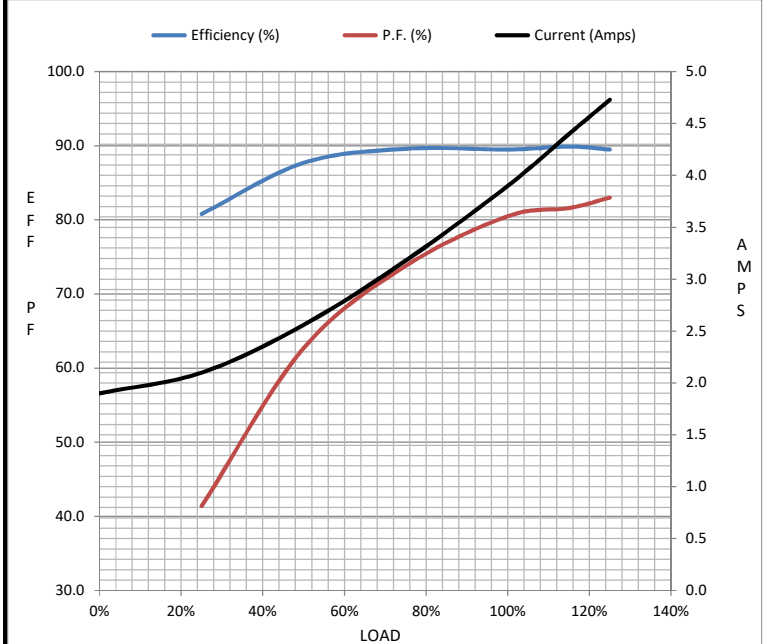
Motor Load Data

Load	0%	25%	50%	75%	100%	115%	125%	LR
Current (Amps)	1.90	2.10	2.56	3.2	3.9	4.4	4.7	33.5
Torque (ft-lb)	0.00	2.20	4.4	6.6	8.9	10.3	11.2	22.5
RPM	1800	1792	1785	1777	1770	1.766	1755	0
Efficiency (%)		80.8	87.7	89.6	89.5	89.9	89.5	
P.F. (%)	6.9	41.4	62.7	73.8	80.5	81.6	83.0	0.0

Motor Speed Data

	LR	Pull-Up	BD	Rated	Idle
Speed (RPM)	0	900	1656	1770	1800
Current (Amps)	33.5	33.0	21.5	3.9	1.90
Torque (ft-lb)	22.5	21.0	36.0	8.9	0.00

Information Block				
HP	3.0			
Sync. RPM	1800			
Frame	182			
Enclosure	TEFC			
Construction	TFW			
Voltage	230/460 V			
Frequency	60 Hz			
Design	B			
LR Code letter	K			
Service Factor	1.15			
Temp Rise @ FL	40 °C			
Duty	CONT			
Ambient	40 °C			
Elevation	1,000 feet			
Rotor/Shaft wk ²	0.38 Lb-Ft ²			
Ref Wdg	T84174 FR			
Sound Pressure @ 1M	0 dBA			
VFD Rating	NONE			
Outline Dwg	035465-850			
Conn. Diag	005010.20			
Additional Specifications:				
0				
0				
EQUIV CKT (OHMS / PHASE)				
R1	R2	X1	X2	Xm
0.0000	0.0000	0.0000	0.0000	0.0000



Speed - Torque Curve

