

# PRODUCT INFORMATION PACKET



Model No: 122253.00  
Catalog No: 122253.00  
2 HP Brake Motor, 3 phase, 1800 RPM, 208-230/460 V, 145TC Frame, TEFC  
Brake Motors



Regal and Leeson are trademarks of Regal Rexnord Corporation or one of its affiliated companies.  
©2021 Regal Rexnord Corporation, All Rights Reserved. MC017097E





### Nameplate Specifications

Output HP	<b>2 Hp</b>	Output KW	<b>1.5 kW</b>
Frequency	<b>60 Hz</b>	Voltage	<b>208-230/460 V</b>
Current	<b>6.0-5.8/2.9 A</b>	Speed	<b>1745 rpm</b>
Service Factor	<b>1.15</b>	Phase	<b>3</b>
Efficiency	<b>86.5 %</b>	Power Factor	<b>75.6</b>
Duty	<b>Continuous</b>	Insulation Class	<b>F</b>
Design Code	<b>B</b>	KVA Code	<b>L</b>
Frame	<b>145TC</b>	Enclosure	<b>Totally Enclosed Fan Cooled</b>
Thermal Protection	<b>Thermostats (N/C)</b>	Ambient Temperature	<b>40 °C</b>
Drive End Bearing Size	<b>6205</b>	Opp Drive End Bearing Size	<b>6203</b>
UL	<b>Recognized</b>	CSA	<b>Y</b>
CE	<b>N</b>	IP Code	<b>43</b>
Number of Speeds	<b>1</b>		

### Technical Specifications

Electrical Type	<b>Squirrel Cage Induction Run</b>	Starting Method	<b>Across The Line</b>
Poles	<b>4</b>	Rotation	<b>Reversible</b>
Resistance Main	<b>6 Ohms</b>	Mounting	<b>Round</b>
Motor Orientation	<b>Horizontal</b>	Drive End Bearing	<b>Ball</b>
Opp Drive End Bearing	<b>Ball</b>	Frame Material	<b>Rolled Steel</b>
Shaft Type	<b>T</b>	Overall Length	<b>18.73 in</b>
Frame Length	<b>8.00 in</b>	Shaft Diameter	<b>0.875 in</b>
Shaft Extension	<b>2 in</b>	Assembly/Box Mounting	<b>F1 ONLY</b>
Connection Drawing	<b>005010.28</b>	Outline Drawing	<b>028790-800</b>

This is an uncontrolled document once printed or downloaded and is subject to change without notice. Date Created:10/07/2021

4

3

2

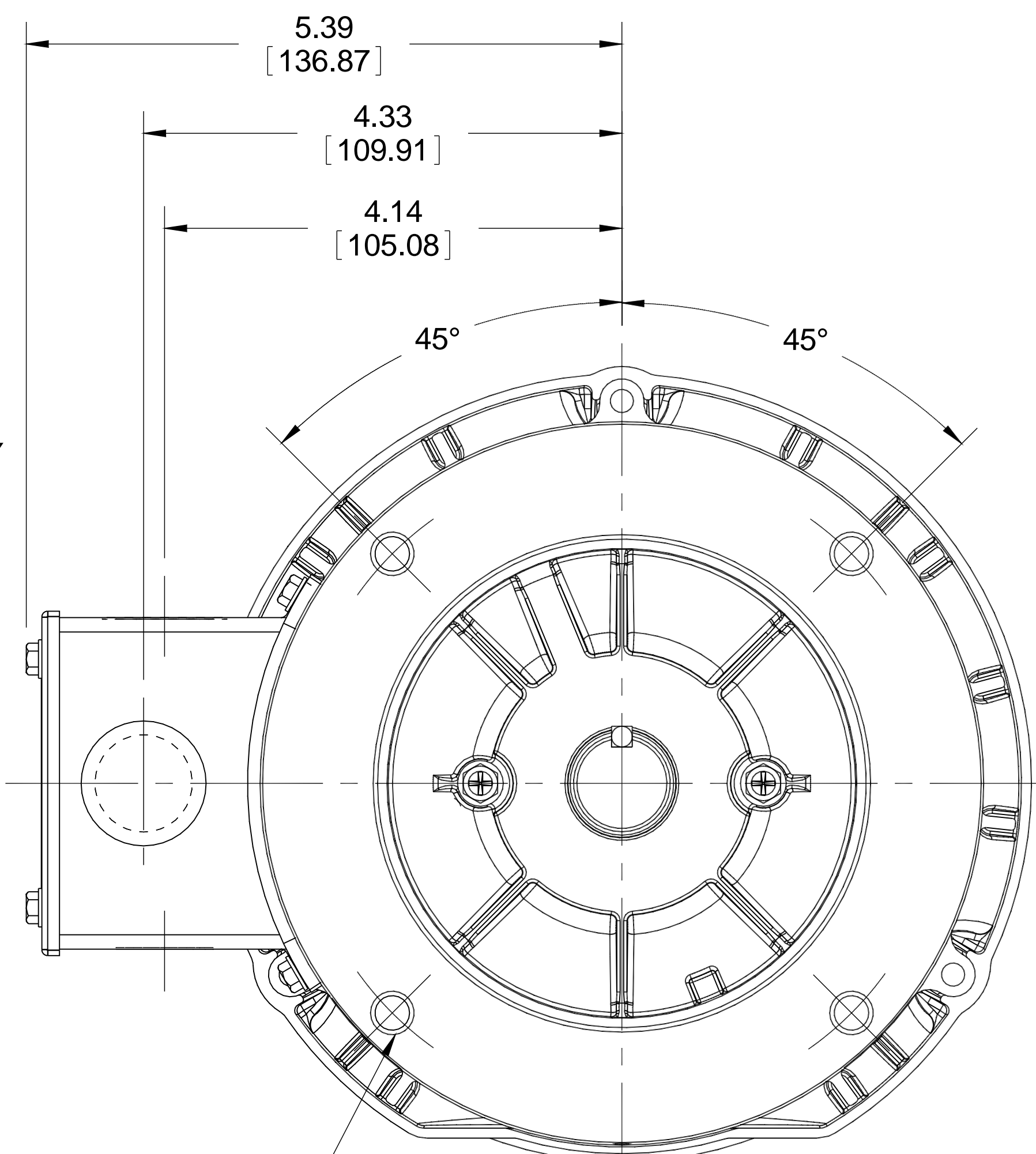
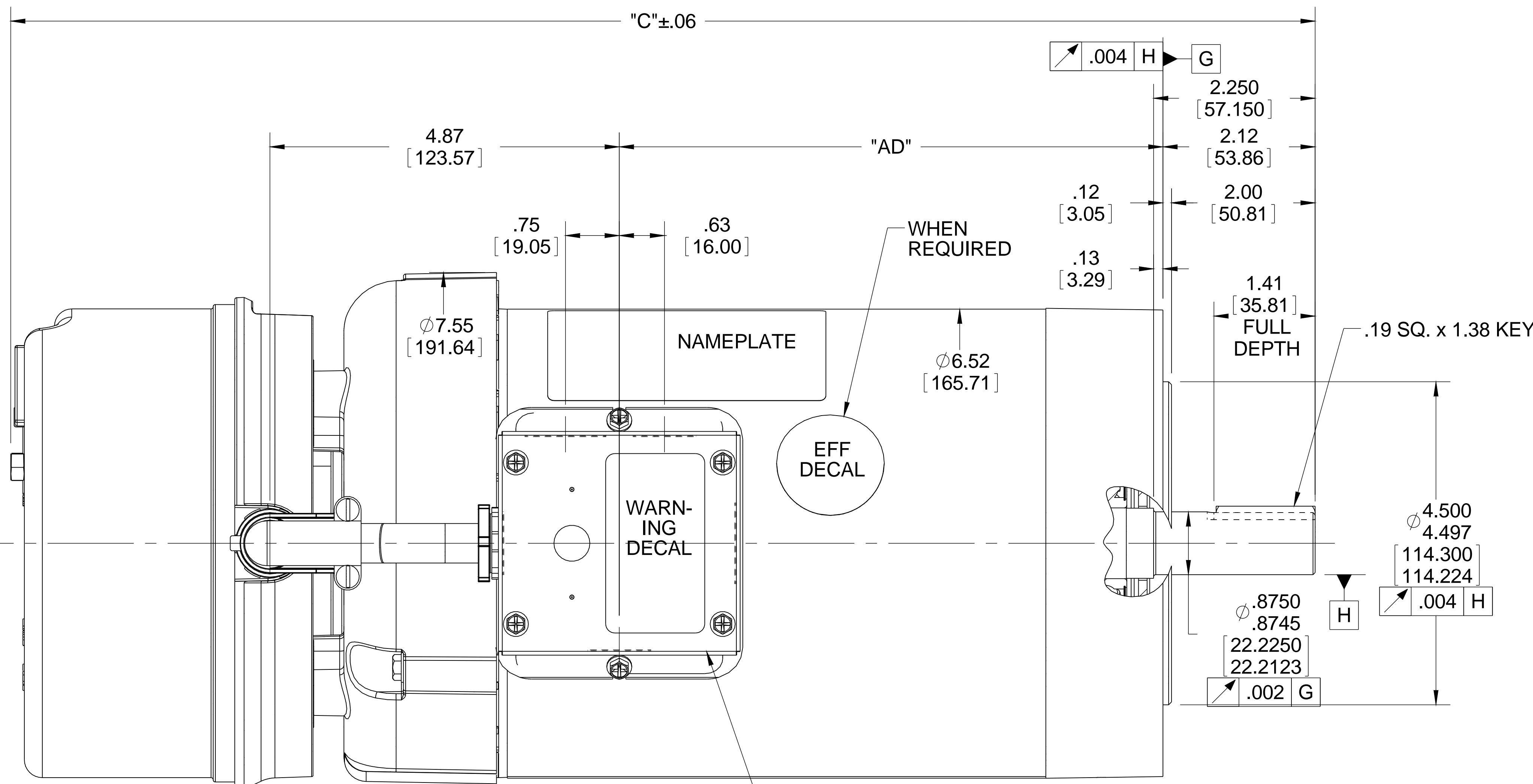
1

B

B

A

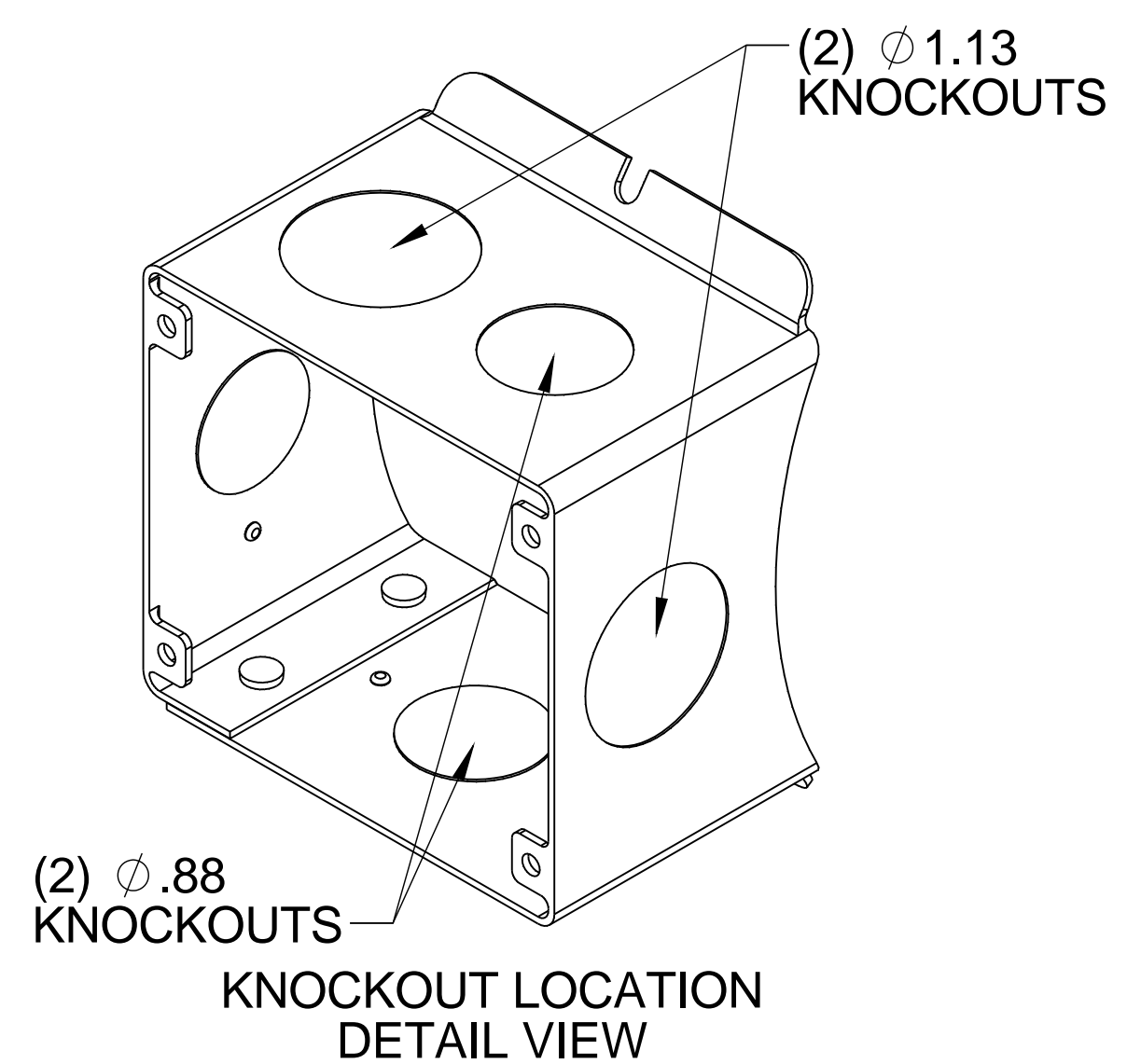
A



(4) 3/8-16 UNC-2B x .56 DEEP ON A Ø5.875 B.C.

CONNECTION DECAL UNDER COVER WHEN REQUIRED

DASH NO.	"C"	"AD"
600	16.73	6.07
650	17.23	6.57
700	17.73	7.07
750	18.23	7.57
800	18.73	8.07



NOTE:  
1) GASKETS THROUGHOUT

DRAWING REVISION D	REVISION BY SL	DATE 04/02/2016	TOLERANCES UNLESS OTHERWISE SPECIFIED: DEC. INCH mm ANGLE .X ±0.1 [±2.5] ±7° 30" .XX ±0.03 [±0.76] .XXX ±0.005 [±0.127] .XXXX ±0.0005 [±0.0127] REMOVE BURRS & BREAK SHARP EDGES: .003/.015 [.076/.381] X 45° CORNER FILLETS: R.02 [.51] MACHINED SURFACES: 200 INCH mm 5.1 mm SHOWN IN [BRACKETS]	DRAWN BY JKK 09/05/07	Regal Beloit America, Inc.	
ECO ECO-0098869	APPROVED BY LK	DATE 04/02/2016		DATE		
ECO DESCRIPTION ADDED WHEN REQUIRED NOTE ON DECAL COPYRIGHT REGAL BELOIT AMERICA, INC. ALL RIGHTS RESERVED. PROPRIETARY AND CONFIDENTIAL INFORMATION - THIS DOCUMENT IS THE PROPERTY OF REGAL BELOIT AMERICA, INC. ("OWNER") AND CONTAINS OWNER'S PROPRIETARY INFORMATION. ANY PERSON, CORPORATION OR OTHER FIRM RECEIVING IT IS DEEMED, BY RECEIVING IT, TO AGREE THAT IT, AND/OR ANY PART OF IT, SHALL NOT BE DISCLOSED TO ANY PERSON, CORPORATION OR OTHER ENTITY, DUPLICATED, AND/OR USED, EXCEPT AS EXPRESSLY APPROVED IN WRITING IN ADVANCE BY OWNER. THIS DOCUMENT SHALL BE RETURNED TO OWNER UPON REQUEST. IT MAY BE SUBJECT TO CERTAIN RESTRICTIONS UNDER APPLICABLE EXPORT CONTROL LAWS AND REGULATIONS.			REFERENCE	DESCRIPTION <b>OUTLINE</b> TEFC - "C" FACE - BRAKEMOTOR	PROCESS/FINISH	
			THIRD ANGLE PROJECTION	SIZE B	DRAWING NUMBER <b>028790</b>	SHEET 1 OF 1

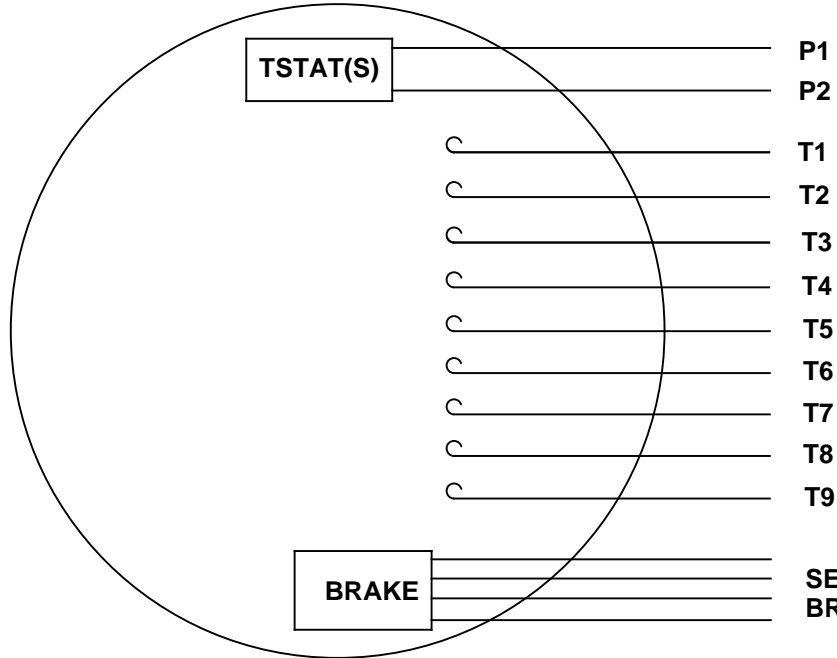
4

3

2

1

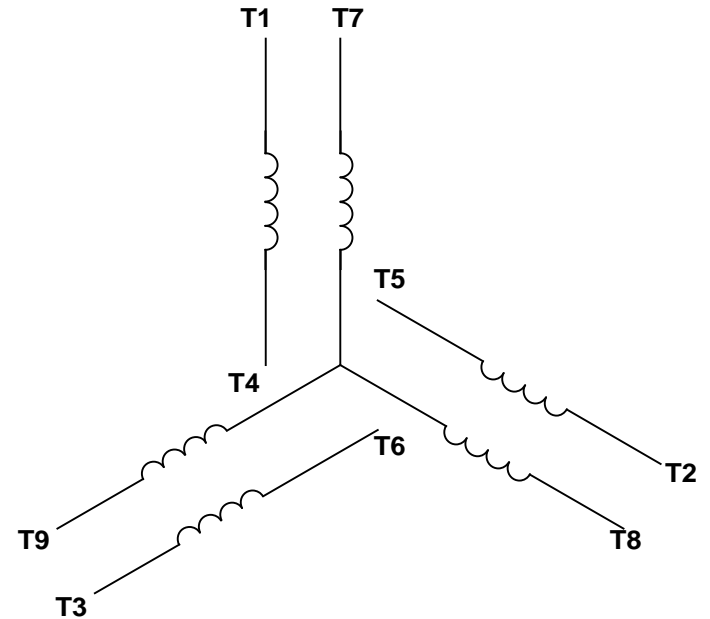
VIEW FROM OUTSIDE OF MOTOR AT SWITCH END.



P1  
P2  
T1  
T2  
T3  
T4  
T5  
T6  
T7  
T8  
T9

SEE TABLE FOR  
BRAKE CONNECTIONS


LINE LEADS



RBC PROPRIETARY AND CONFIDENTIAL INFORMATION  
This document is the property of REGAL BELOIT CORPORATION ("RBC") including its subsidiaries and divisions and contains proprietary information of RBC. This document is loaned on the express condition that neither it nor the information contained therein shall be disclosed to others without the express written consent of RBC, and that the information shall be used by the recipient only as approved expressly by RBC. This document shall be returned to RBC upon its request. This document may be subject to certain restrictions under U.S. export control laws and regulations.

BRAKE CONNECTION						
VOLTAGE	STERNS BRAKE			DINGS BRAKE		
	L1	L2	Join	L1	L2	Join
HIGH	1(RED)	2(RED)	3(BLACK) 4(BLACK)	2(BLACK)	4(YELLOW)	1(YELLOW) 3(BLACK)
LOW	1(RED) 3(BLACK)	2(RED) 4(BLACK)	-----	2(BLACK) 3(BLACK)	1(YELLOW) 4(YELLOW)	-----

VOLTAGE	L1	L2	L3	JOIN & INSULATE
HIGH	T1	T2	T3	(T4, T7) (T5, T8) (T6, T9)
LOW	T1, T7	T2, T8	T3, T9	T4, T5, T6

				TOLERANCES UNLESS SPECIFIED		 ELECTRIC MOTORS GEARMOTORS AND DRIVES	DRAWN RDW 09/14/99		
				DEC	INCHES		CHK		
				.X	±.1		APPR		
				.XX	±.01		SCALE	1:1	
				.XXX	±.005		REF	005010-15	
--	REDRAWN IN SOLIDWORKS	VJB 02/08/11		.XXXX	±.0005	TITLE EXTERNAL WIRING DIAGRAM 3 PHASE W/O PROTECTOR		FMF	
NO	REVISION	BY & DATE	CHK	ANG	±1/2°	MAT'L DECAL - 004014 DECAL - 080088		PAGE OF	
THIRD ANGLE PROJECTION			RFP	PREV	SIZE	DRAWING NO		REV	
			NETWORK FILE NAME 00501028			A	005010-28	--	

P.O. BOX 8003  
 WAUSAU, WI 54401-8003  
 PH. 715-675-3311



DATA VOLTS: 460

**CERTIFICATION DATA SHEET**

CONN. DIAGRAM: 005010.28  
 OUTLINE: 028790-800  
 WINDING: T634340

CAT #: 122253.00

FR 3

**TYPICAL MOTOR PERFORMANCE DATA**

HP	KW	SYNC RPM	FL RPM	FRAME	ENCLOSURE	TYPE	KVA CODE	DESIGN
2	1.5	1800	1751	143TC	TEFC	TFR	L	B

PH	HZ	VOLTS	AMPS	START TYPE	DUTY	INSL	S.F.	AMB	ELEV.
3	60	208-230/460	6.2-6/3	ACROSS THE LINE	CONT	F	1.15	40	3300

F.L. EFF	86.5	3/4 LD EFF	85.6	1/2 LD EFF	83.4	GTD EFF	84.0	ELECT. TYPE	SQ CAGE IND RUN
F.L. PF	75.6	3/4 LD PF	64.0	1/2 LD PF	51.9				

F.L. TORQUE	LR AMPS @ 460 V	L.R. TORQUE	B.D. TORQUE	F.L. RISE (°C)
6.0 LB-FT	26.5	18.8 LB-FT 313%	24.6 LB-FT 410%	53

PRESSURE @ 3	POWER	ROTOR WK²	MAX. LOAD WK²	SAFE STALL TIME	STARTS/HOUR	MOTOR WGT
65 dBA	74 dBA	0.16 LB-FT²	0 LB-FT²	10 SEC.	3	0 LB.

\*\*\* SUPPLEMENTAL INFORMATION \*\*\*

DE BRACKET TYPE	ODE BRACKET TYPE	MOUNT TYPE	MOTOR ORIENTATION	SEVERE DUTY	HAZARDOUS LOCATION	DRIP COVER	SCREENS	PAINT
C-FACE	BRAKE	ROUND	HORIZONTAL	NO	NONE	NO	NONE	IN - LEESON WATTS

BEARINGS		GREASE	SHAFT TYPE	SPECIAL DE	SPECIAL ODE	SHAFT MATERIAL	FRAME MATERIAL
DE	ODE						
BALL	BALL	POLYREX EM	T	NONE	NONE	1144 STRESSPROOF (C-223)	ROLLED STEEL
6205	6203						

THERMOSTATS	PROTECTORS	WDG RTD's	BRG RTD's	THERMISTORS	CONTROL	SPACE HEATERS
TSTATS (N/C)	NOT	NONE	NONE	NONE	FALSE	NA

R1 (ohms/ph)	R2 (ohms/ph)	X1 (ohms/ph)	X2 (ohms/ph)	Xm (ohms/ph)	VIBRATION (in/sec)	FLOAT
0	0	0	0	0	0.150	ODE

* N O T E S *	INVERTER TORQUE: NONE	
	INV. HP SPEED RANGE: NONE	
	ENCODER: NONE	
	NONE	
	NONE	

DATE: 1/19/2018	BRAKE: STEARNS	
	56,000	NEMA 2
	FT-LB: 10	
	VOLTAGE: 208-230/460	HZ:
UL: Y-(LEESON UL REC)		

Data Sheet

Date: 1/19/2018

122253.00



Data @ 460 V

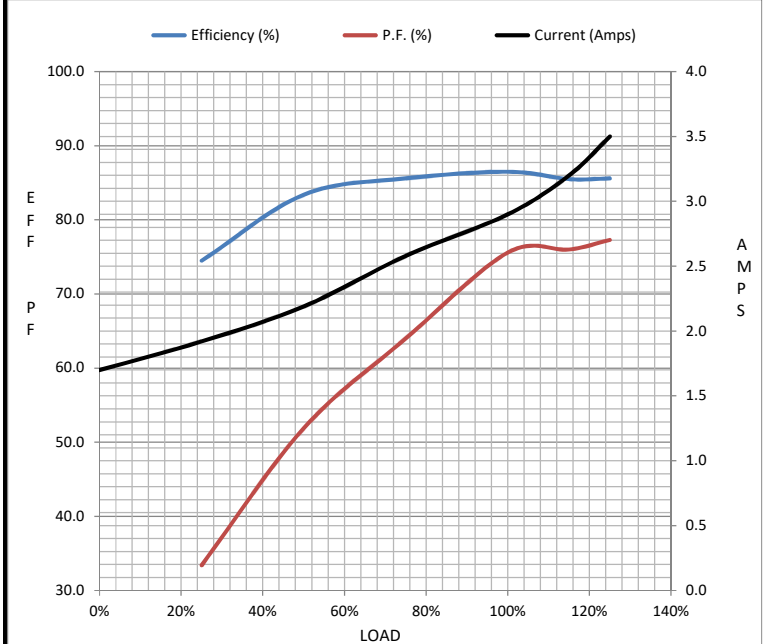
Motor Load Data

Load	0%	25%	50%	75%	100%	115%	125%	LR
Current (Amps)	1.70	1.92	2.19	2.58	2.90	3.2	3.5	26.5
Torque (ft-lb)	0.00	1.50	3.0	4.5	6.0	6.5	7.5	18.8
RPM	1800	1787	1774	1763	1751	1.730	1732	0
Efficiency (%)		74.5	83.4	85.6	86.5	85.5	85.6	
P.F. (%)	7.1	33.4	51.9	64.0	75.6	76.0	77.3	42.0

Motor Speed Data

	LR	Pull-Up	BD	Rated	Idle
Speed (RPM)	0	775	1085	1751	1800
Current (Amps)	26.5	24.4	14.2	2.90	1.70
Torque (ft-lb)	18.8	15.0	24.6	6.0	0.00

Information Block				
HP	2.0			
Sync. RPM	1800			
Frame	140			
Enclosure	TEFC			
Construction	TFR			
Voltage	208-230/460 V			
Frequency	60 Hz			
Design	A			
LR Code letter	L			
Service Factor	1.15			
Temp Rise @ FL	53 °C			
Duty	CONT			
Ambient	40 °C			
Elevation	1,000 feet			
Rotor/Shaft wk <sup>2</sup>	0.16 Lb-Ft <sup>2</sup>			
Ref Wdg	T634340 FR			
Sound Pressure @ 1M	65 dBA			
VFD Rating	NONE			
Outline Dwg	028790-800			
Conn. Diag	005010.28			
Additional Specifications:				
0				
0				
EQUIV CKT (OHMS / PHASE)				
R1	R2	X1	X2	Xm
0.0000	0.0000	0.0000	0.0000	0.0000



Speed - Torque Curve

