

# PRODUCT INFORMATION PACKET



Model No: 120554.00  
Catalog No: 120554.00  
5 HP Air Compressor Motor, 1 phase, 3600 RPM, 230 V, 145T Frame, ODP  
Air Compressor Motors



Regal and Leeson are trademarks of Regal Rexnord Corporation or one of its affiliated companies.  
©2021 Regal Rexnord Corporation, All Rights Reserved. MC017097E





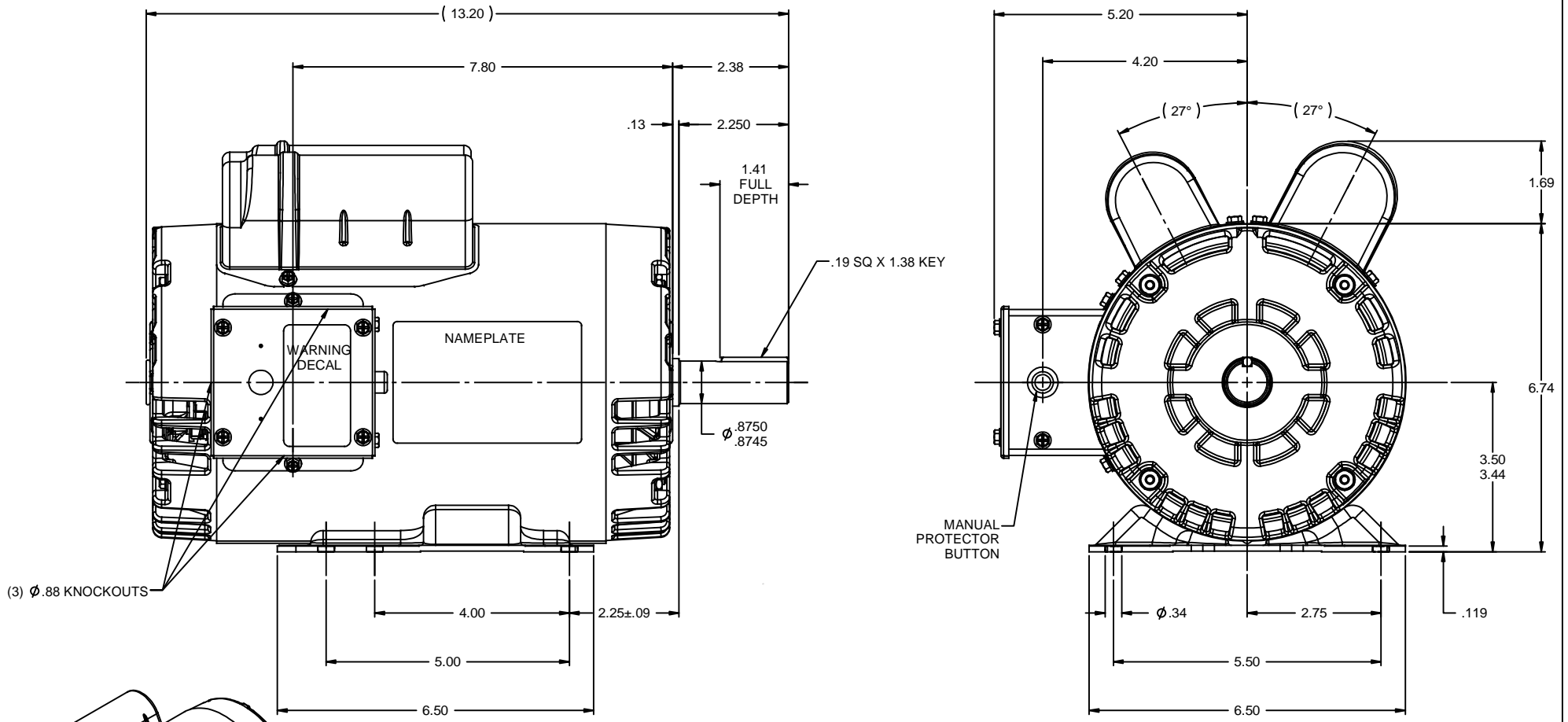
### Nameplate Specifications

Output HP	5 Hp	Output KW	3.7 kW
Frequency	60 Hz	Voltage	230 V
Current	20.8 A	Speed	3450 rpm
Service Factor	1	Phase	1
Efficiency	82.5 %	Power Factor	95
Duty	Continuous	Insulation Class	F
Design Code	L	KVA Code	E
Frame	145T	Enclosure	Drip Proof
Thermal Protection	Manual	Ambient Temperature	40 °C
Drive End Bearing Size	6205	Opp Drive End Bearing Size	6203
UL	Recognized	CSA	Y
CE	N	IP Code	22
Number of Speeds	1		

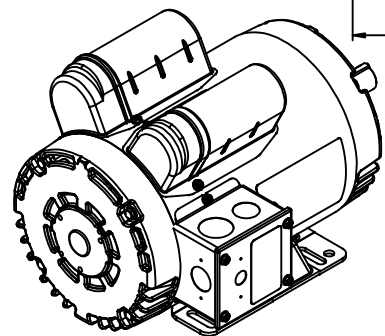
### Technical Specifications

Electrical Type	Capacitor Start Capacitor Run	Starting Method	Across The Line
Poles	2	Rotation	Selective Clockwise
Resistance Main	.52 Ohms	Mounting	Rigid Base
Motor Orientation	Horizontal	Drive End Bearing	Ball
Opp Drive End Bearing	Ball	Frame Material	Rolled Steel
Shaft Type	T	Overall Length	13.20 in
Frame Length	8.00 in	Shaft Diameter	0.875 in
Shaft Extension	2.25 in	Assembly/Box Mounting	F1 ONLY
Outline Drawing	028588	Connection Drawing	005056.03

This is an uncontrolled document once printed or downloaded and is subject to change without notice. Date Created:10/07/2021

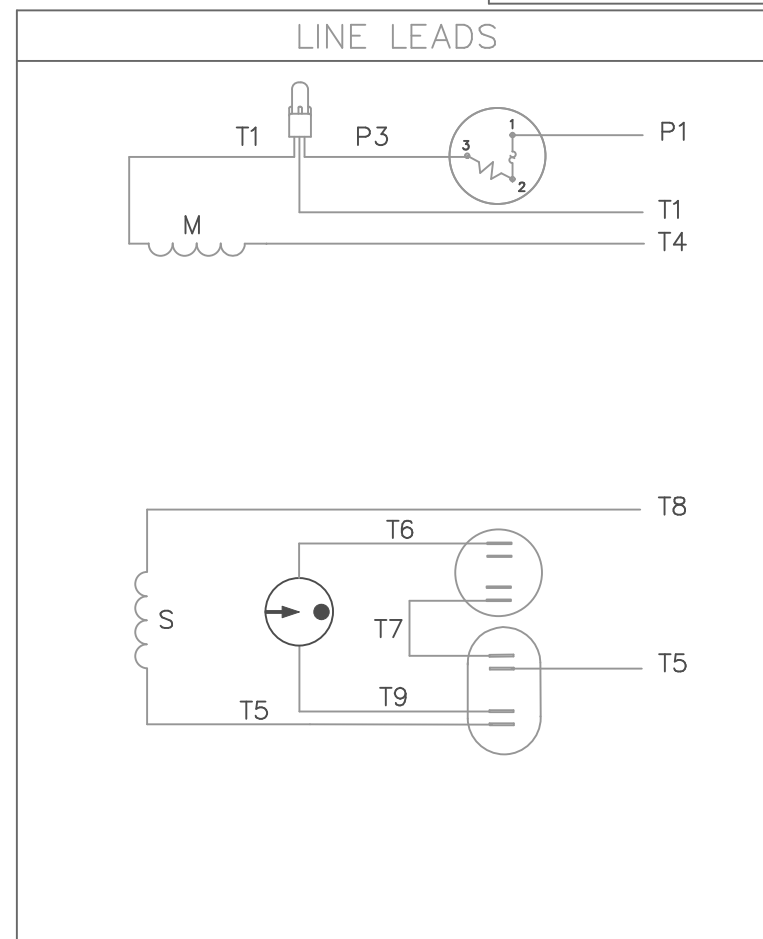
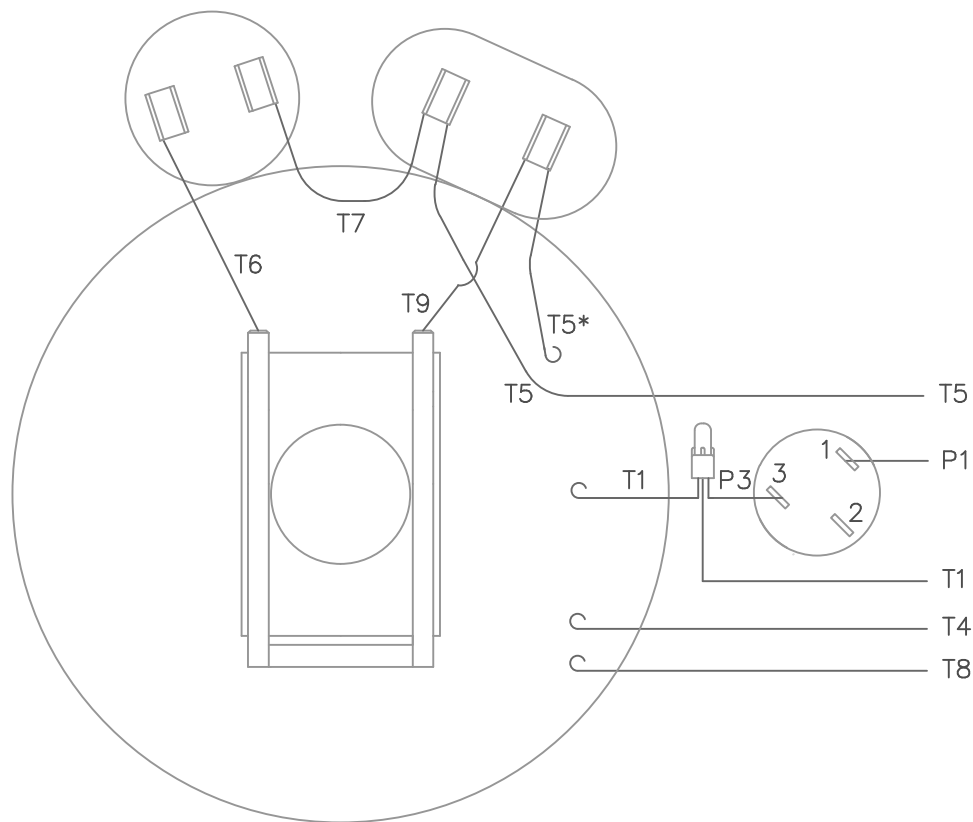


(3) Ø .88 KNOCKOUTS



		TOLERANCES UNLESS SPECIFIED:		<b>ELECTRIC MOTORS GEARMOTORS AND DRIVES</b>	DRAWN RDW 06/15/04
		DEC	INCHES		CHK
		x	±.1		APPR SW 6/15/04
02	CHANGED TO MYLAR NAMEPLATE, UPDATED TO CURRENT DESIGN & REDRAWN IN SOLIDWORKS PER ISAAC 11-0954	SAD 3/2/2011	GWS xx ±.03	TITLE OUTLINE - 140T FRAME DRIP PROOF - RIGID	SCALE 1:2
01	ADDED CONNECTION DECAL NOTE TO MATCH BOM	BJB 9/13/04	xxx ±.005 xxx ±.0005	MATL	REF 033389
NO	REVISION	BY & DATE	CHK ANG ±1/2°	FINISH	PAGE OF
THIRD ANGLE PROJECTION			RFP	PREV	SIZE DRAWING NO
			NETWORK FILE NAME 028588	<b>B</b>	<b>028588</b>
					REV 02

VIEW FROM OUTSIDE OF MOTOR AT SWITCH END.



ROTATION FACING LEAD END	L1	L2	JOIN
C.C.W.	P1	T4, T5	T1, T8
C.W.	P1	T4, T8	T1, T5

\* THIS LEAD MAY BE WHITE

		TOLERANCES UNLESS SPECIFIED				DRAWN WLW 08/30/76		
		DEC.	INCHES			CHK WRK 09/24/76	APPD	
			.X	±.1	<b>TITLE</b> EXTERNAL WIRING DIAGRAM TYPE "K" W/ PROTECTOR		SCALE 1=1	
08	ALTERNATE T5 LEAD MARKING WAS RED	RLW 8/6/02	.XX	±.01			REF	
07	ADDED ALTERNATE T5 LEAD MARKING	RLW 5/31/02	KH	.XXX ±.005			FMF 6K17FB4	
06	REDRAWN TO CAD	DBT 5/31/02		.XXXX ±.0005	<b>MAT'L.</b> DECAL - 004015		PREV	
NO.	REVISION	BY & DATE	CHK	ANG	±1/2'	<b>FINISH</b>		
THIS DRAWING IN DESIGN AND DETAIL IS OUR PROPERTY AND MUST NOT BE USED EXCEPT IN CONNECTION WITH OUR WORK ALL RIGHTS OF DESIGN AND INVENTION ARE RESERVED THIS IS AN ELECTRONICALLY GENERATED DOCUMENT - DO NOT SCALE THIS PRINT			RFP	CAD FILE 00505603		SIZE A	DRAWING NO. 005056-03	REV. 08
			DIST	BRF-NLV				



**1051 CHEYENNE AVE.  
GRAFTON, WI 53024  
PH. 262-377-8810**

**CERTIFICATION DATA SHEET**

**CONN. DIAGRAM:** 005056.03  
**OUTLINE:** 028588  
**WINDING #:** K632130 DR 2 A

**CATALOG #:** 120554.00  
**MOUNTING:** F1 ONLY

**TYPICAL MOTOR PERFORMANCE DATA**

HP	kW	SYNC. RPM	F.L. RPM	FRAME	ENCLOSURE	KVA CODE	DESIGN
5	3.70	3600	3450	145T	DP	E	L

PH	Hz	VOLTS	AMPS	START TYPE	DUTY	INSL	S.F.	AMB°C
1	60	230	20.8	ACROSS THE LINE	CONTINUOUS	F4	1.0	40

FULL LOAD EFF:	82.5	3/4 LOAD EFF:	83.8	1/2 LOAD EFF:	82.8	GTD. EFF		ELEC. TYPE	
FULL LOAD PF:	95	3/4 LOAD PF:	93.8	1/2 LOAD PF:	91.4	80		CAP START CAP RUN	

F.L. TORQUE	LOCKED ROTOR AMPS	L.R. TORQUE	B.D. TORQUE	F.L. RISE°C
7.5 LB-FT	107	12.3 LB-FT 164 %	14.3 LB-FT 191 %	105

SOUND PRESSURE @ 3 FT.	SOUND POWER	ROTOR WK^2	MAX. WK^2	SAFE STALL TIME	STARTS / HOUR	APPROX. MOTOR WGT
0 dBA	10 dBA	0.095 LB-FT^2	0.1 LB-FT^2	10 SEC.	0	49 LBS.

**\*\*\* SUPPLEMENTAL INFORMATION \*\*\***

DE BRACKET TYPE	ODE BRACKET TYPE	MOUNT TYPE	ORIENTATION	SEVERE DUTY	HAZARDOUS LOCATION	DRIP COVER	SCREENS	PAINT
STANDARD	STANDARD	RIGID	HORIZONTAL	FALSE	NONE	FALSE	NONE	BLUE - LEESON (ENAMEL)

BEARINGS		GREASE	SHAFT TYPE	SPECIAL DE	SPECIAL ODE	SHAFT MATERIAL	FRAME MATERIAL
DE	ODE						
BALL	BALL	POLYREX EM	T	VERIFY	VERIFY	1144 STRESSPROOF (C-223)	ROLLED STEEL
6205	6203						

THERMO-PROTECTORS				THERMISTORS	CONTROL	SPACE HEATERS
THERMOSTATS	PROTECTORS	WDG RTDs	BRG RTDs			
NONE	MANUAL	NONE	NONE	NONE	FALSE	NONE VOLTS

\*  
N  
O  
T  
E  
S  
\*

<b>INVERTER TORQUE:</b> NONE
<b>INV. HP SPEED RANGE:</b> NONE
<b>ENCODER:</b> NONE
NONE NONE
NONE NONE PPR
<b>BRAKE:</b> NONE NONE
NONE P/N NONE
NONE NONE
NONE FT-LB NONE V NONE Hz



**1051 CHEYENNE AVE.  
GRAFTON, WI 53024  
PH. 262-377-8810**

**CERTIFICATION DATA SHEET**

**CUSTOMER:**  
**ORDER #:**  
**CONN. DIAGRAM:** 005056.03  
**OUTLINE:** 028588  
**WINDING #:** K632130 DR 2 A

**CUSTOMER PO#:**  
**CATALOG #:**  
**CUSTOMER PART #:**  
**MOUNTING:** F1 ONLY

**TYPICAL MOTOR PERFORMANCE DATA**

HP	kW	SYNC. RPM	F.L. RPM	FRAME	ENCLOSURE	KVA CODE	DESIGN
5	3.70	3600	3450	145T	DP	E	L

PH	Hz	VOLTS	AMPS	START TYPE	DUTY	INSL	S.F.	AMB°C
1	60	230	20.8	ACROSS THE LINE	CONTINUOUS	F4	1.0	40

FULL LOAD EFF:	82.5	3/4 LOAD EFF:	83.8	1/2 LOAD EFF:	82.8	GTD. EFF		ELEC. TYPE	
FULL LOAD PF:	95	3/4 LOAD PF:	93.8	1/2 LOAD PF:	91.4	80		CAP START CAP RUN	

F.L. TORQUE	LOCKED ROTOR AMPS	L.R. TORQUE	B.D. TORQUE	F.L. RISE°C
9.8 LB-FT	107	12.3 LB-FT 164 %	14.3 LB-FT 191 %	105

SOUND PRESSURE @ 3 FT.	SOUND POWER	ROTOR WK^2	MAX. WK^2	SAFE STALL TIME	STARTS / HOUR	APPROX. MOTOR WGT
0 dBA	10 dBA	0.095 LB-FT^2	0.1 LB-FT^2	10 SEC.	0	0 LBS.

**\*\*\* SUPPLEMENTAL INFORMATION \*\*\***

DE BRACKET TYPE	ODE BRACKET TYPE	MOUNT TYPE	ORIENTATION	SEVERE DUTY	HAZARDOUS LOCATION	DRIP COVER	SCREENS	PAINT
STANDARD	STANDARD	RIGID	HORIZONTAL	FALSE	NONE	FALSE	NONE	BLUE - LEESON (ENAMEL)

BEARINGS		GREASE	SHAFT TYPE	SPECIAL DE	SPECIAL ODE	SHAFT MATERIAL	FRAME MATERIAL
DE	ODE						
BALL	BALL	POLYREX EM	T	VERIFY	VERIFY	1144 STRESSPROOF (C-223)	ROLLED STEEL
6205	6203						

THERMO-PROTECTORS				THERMISTORS	CONTROL	SPACE HEATERS
THERMOSTATS	PROTECTORS	WDG RTDs	BRG RTDs			
NONE	MANUAL	NONE	NONE	NONE	FALSE	NONE VOLTS

* N O T E S *	<b>INVERTER TORQUE:</b> NONE
	<b>INV. HP SPEED RANGE:</b> NONE
	<b>ENCODER:</b> NONE NONE NONE NONE NONE PPR
	<b>BRAKE:</b> NONE NONE NONE P/N NONE NONE NONE NONE FT-LB NONE V NONE Hz

**PREPARED BY:** Dinesh  
Suddula **DATE:**  
02/22/2019 02:25:58 AM  
FORM 3531 REV.3 02/07/99  
\*\* Subject to change without  
notice.



**1051 CHEYENNE AVE.  
GRAFTON, WI 53024  
PH. 262-377-8810**

**CERTIFICATION DATA SHEET**

**CUSTOMER:**  
**ORDER #:**  
**CONN. DIAGRAM:** 005056.03  
**OUTLINE:** 028588  
**WINDING #:** K632130 DR 2 A

**CUSTOMER PO#:**  
**CATALOG #:**  
**CUSTOMER PART #:**  
**MOUNTING:** F1 ONLY

**TYPICAL MOTOR PERFORMANCE DATA**

HP	kW	SYNC. RPM	F.L. RPM	FRAME	ENCLOSURE	KVA CODE	DESIGN
5	3.70	3600	3450	145T	DP	E	L

PH	Hz	VOLTS	AMPS	START TYPE	DUTY	INSL	S.F.	AMB°C
1	60	230	20.8	ACROSS THE LINE	CONTINUOUS	F4	1.0	40

FULL LOAD EFF:	82.5	3/4 LOAD EFF:	83.8	1/2 LOAD EFF:	82.8	GTD. EFF		ELEC. TYPE	
FULL LOAD PF:	95	3/4 LOAD PF:	93.8	1/2 LOAD PF:	91.4	80		CAP START CAP RUN	

F.L. TORQUE	LOCKED ROTOR AMPS	L.R. TORQUE	B.D. TORQUE	F.L. RISE°C
7.5 LB-FT	107	12.3 LB-FT 164 %	14.3 LB-FT 191 %	105

SOUND PRESSURE @ 3 FT.	SOUND POWER	ROTOR WK^2	MAX. WK^2	SAFE STALL TIME	STARTS / HOUR	APPROX. MOTOR WGT
0 dBA	10 dBA	0.095 LB-FT^2	0.1 LB-FT^2	10 SEC.	0	0 LBS.

**\*\*\* SUPPLEMENTAL INFORMATION \*\*\***

DE BRACKET TYPE	ODE BRACKET TYPE	MOUNT TYPE	ORIENTATION	SEVERE DUTY	HAZARDOUS LOCATION	DRIP COVER	SCREENS	PAINT
STANDARD	STANDARD	RIGID	HORIZONTAL	FALSE	NONE	FALSE	NONE	BLUE - LEESON (ENAMEL)

BEARINGS		GREASE	SHAFT TYPE	SPECIAL DE	SPECIAL ODE	SHAFT MATERIAL	FRAME MATERIAL
DE	ODE						
BALL	BALL	POLYREX EM	T	VERIFY	VERIFY	1144 STRESSPROOF (C-223)	ROLLED STEEL
6205	6203						

THERMO-PROTECTORS				THERMISTORS	CONTROL	SPACE HEATERS
THERMOSTATS	PROTECTORS	WDG RTDs	BRG RTDs			
NONE	MANUAL	NONE	NONE	NONE	FALSE	NONE VOLTS

* N O T E S *	<b>INVERTER TORQUE:</b> NONE
	<b>INV. HP SPEED RANGE:</b> NONE
	<b>ENCODER:</b> NONE NONE NONE NONE NONE PPR
	<b>BRAKE:</b> NONE NONE NONE P/N NONE NONE NONE NONE FT-LB NONE V NONE Hz

**PREPARED BY:** Dinesh  
Suddula **DATE:**  
02/22/2019 02:25:58 AM  
FORM 3531 REV.3 02/07/99  
\*\* Subject to change without  
notice.



**1051 CHEYENNE AVE.  
GRAFTON, WI 53024  
PH. 262-377-8810**

**CERTIFICATION DATA SHEET**

**CUSTOMER:**  
**ORDER #:**  
**CONN. DIAGRAM:** 005056.03  
**OUTLINE:** 028588  
**WINDING #:** K632130 DR 2 A

**CUSTOMER PO#:**  
**CATALOG #:**  
**CUSTOMER PART #:**  
**MOUNTING:** F1 ONLY

**TYPICAL MOTOR PERFORMANCE DATA**

HP	kW	SYNC. RPM	F.L. RPM	FRAME	ENCLOSURE	KVA CODE	DESIGN
5	3.70	3600	3450	145T	DP	E	L

PH	Hz	VOLTS	AMPS	START TYPE	DUTY	INSL	S.F.	AMB°C
1	60	230	20.8	ACROSS THE LINE	CONTINUOUS	F4	1.0	40

FULL LOAD EFF:	82.5	3/4 LOAD EFF:	83.8	1/2 LOAD EFF:	82.8	GTD. EFF		ELEC. TYPE	
FULL LOAD PF:	95	3/4 LOAD PF:	93.8	1/2 LOAD PF:	91.4	80		CAP START CAP RUN	

F.L. TORQUE	LOCKED ROTOR AMPS	L.R. TORQUE	B.D. TORQUE	F.L. RISE°C
9.8 LB-FT	107	12.3 LB-FT 164 %	14.3 LB-FT 191 %	105

SOUND PRESSURE @ 3 FT.	SOUND POWER	ROTOR WK^2	MAX. WK^2	SAFE STALL TIME	STARTS / HOUR	APPROX. MOTOR WGT
0 dBA	10 dBA	0.095 LB-FT^2	0.1 LB-FT^2	10 SEC.	0	0 LBS.

**\*\*\* SUPPLEMENTAL INFORMATION \*\*\***

DE BRACKET TYPE	ODE BRACKET TYPE	MOUNT TYPE	ORIENTATION	SEVERE DUTY	HAZARDOUS LOCATION	DRIP COVER	SCREENS	PAINT
STANDARD	STANDARD	RIGID	HORIZONTAL	FALSE	NONE	FALSE	NONE	BLUE - LEESON (ENAMEL)

BEARINGS		GREASE	SHAFT TYPE	SPECIAL DE	SPECIAL ODE	SHAFT MATERIAL	FRAME MATERIAL
DE	ODE						
BALL	BALL	POLYREX EM	T	VERIFY	VERIFY	1144 STRESSPROOF (C-223)	ROLLED STEEL
6205	6203						

THERMO-PROTECTORS				THERMISTORS	CONTROL	SPACE HEATERS
THERMOSTATS	PROTECTORS	WDG RTDs	BRG RTDs			
NONE	MANUAL	NONE	NONE	NONE	FALSE	NONE VOLTS

* N O T E S *	<b>INVERTER TORQUE:</b> NONE <b>INV. HP SPEED RANGE:</b> NONE
	<b>ENCODER:</b> NONE NONE NONE NONE NONE PPR
	<b>BRAKE:</b> NONE NONE NONE P/N NONE NONE NONE NONE FT-LB NONE V NONE Hz

**PREPARED BY:** Dinesh  
Suddula **DATE:**  
02/22/2019 02:25:58 AM  
FORM 3531 REV.3 02/07/99  
\*\* Subject to change without  
notice.



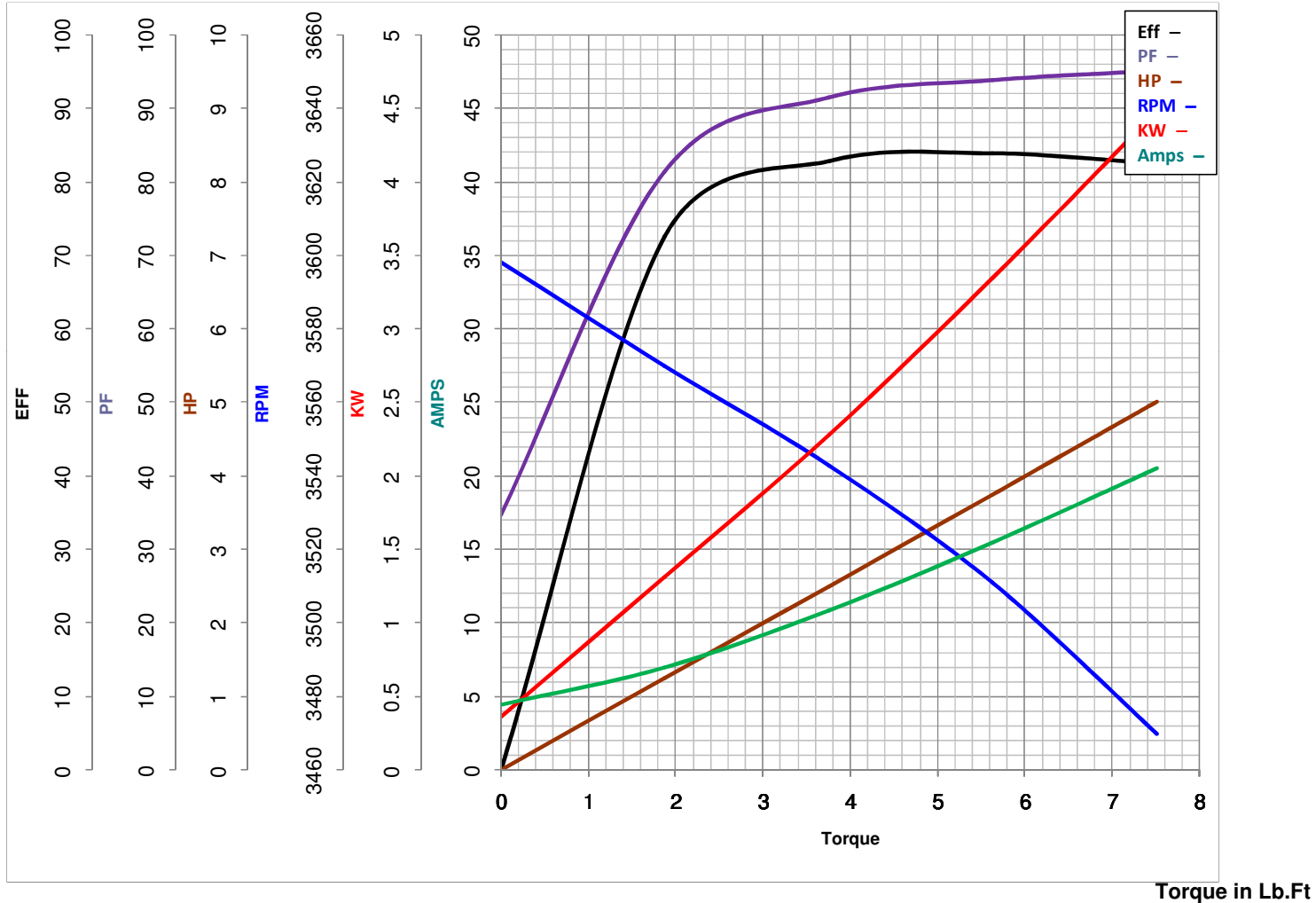


**LEESON ELECTRIC CORPORATION**  
TYPICAL PERFORMANCE CURVE for AC MOTOR

Model No 120554.00

Catalog No 120554.00

Curve at 230 Volts      HP 5.00      PHASE 1  
60 HZ  
5 HP      VOLTS 230  
HZ 60      RPM 3450



FL TORQUE	<u>7.5</u>	Lb.Ft	FL AMPS	<u>20.8</u>	
BD TORQUE	<u>14.3</u>	Lb.Ft	PU TORQUE	<u>13.3</u>	Lb.Ft
LR TORQUE	<u>12.3</u>	Lb.Ft	LR AMPS	<u>107</u>	
WINDING	K632130-2		Date	3/16/2018	