

# PRODUCT INFORMATION PACKET



Model No: 119511.00  
Catalog No: 119511.00  
1 HP Washdown Motor, 3 phase, 1800 RPM, 208-230/460 V, 56C Frame, TEFC  
Washdown Motors



Regal and Leeson are trademarks of Regal Rexnord Corporation or one of its affiliated companies.  
©2021 Regal Rexnord Corporation, All Rights Reserved. MC017097E



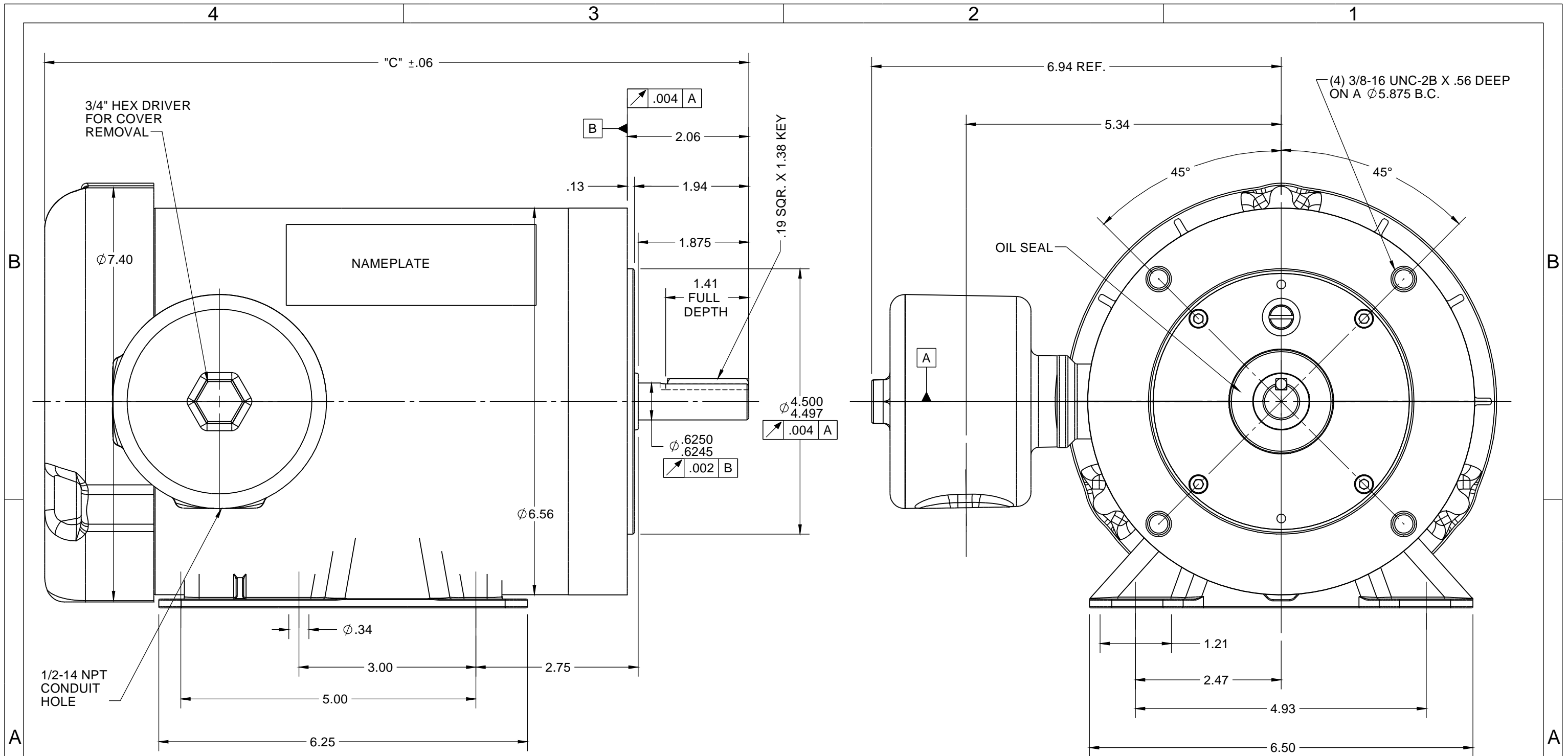


### Nameplate Specifications

Output HP	1 Hp	Output KW	0.75 kW
Frequency	60 Hz	Voltage	208-230/460 V
Current	3.2-3.2/1.6 A	Speed	1760 rpm
Service Factor	1.15	Phase	3
Efficiency	85.5 %	Power Factor	68.5
Duty	Continuous	Insulation Class	F
Design Code	B	KVA Code	N
Frame	56C	Enclosure	Totally Enclosed Fan Cooled
Thermal Protection	No	Ambient Temperature	40 °C
Drive End Bearing Size	6205	Opp Drive End Bearing Size	6205
UL	Recognized	CSA	Y
CE	Y	IP Code	69
Number of Speeds	1		

### Technical Specifications

Electrical Type	Squirrel Cage Inverter Rated	Starting Method	Line Or Inverter
Poles	4	Rotation	Reversible
Resistance Main	12.96 Ohms	Mounting	Rigid Base
Motor Orientation	Horizontal	Drive End Bearing	Ball
Opp Drive End Bearing	Ball	Frame Material	Stainless Steel
Shaft Type	NEMA 56	Overall Length	11.94 in
Frame Length	7.00 in	Shaft Diameter	0.625 in
Shaft Extension	1.87 in	Assembly/Box Mounting	F1/F2 CAPABLE
Inverter Load	CONSTANT 6:1		
Connection Drawing	005010.52	Outline Drawing	607-0187-700



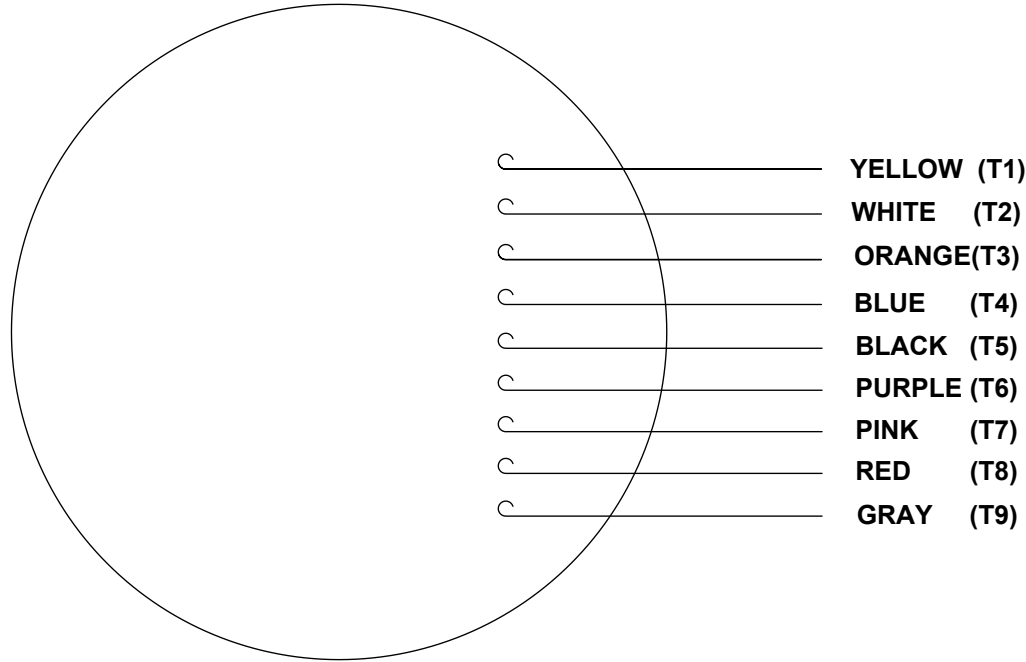
DASH NO.	"C"	"AD"
675	11.69	4.15
700	11.94	4.40
725	12.19	4.65
775	12.69	5.15

DRAWING REVISION	REVISION BY	DATE
A	LST	
ECO-0063759	APPROVED BY	DATE
RELEASED		
<small>COPYRIGHT REGAL BELOIT AMERICA, INC. ALL RIGHTS RESERVED. PROPRIETARY AND CONFIDENTIAL INFORMATION - THIS DOCUMENT IS THE PROPERTY OF REGAL BELOIT AMERICA, INC. ("OWNER") AND CONTAINS OWNER'S PROPRIETARY INFORMATION. ANY PERSON, CORPORATION OR OTHER FIRM RECEIVING IT IS DEEMED, BY RECEIVING IT, TO AGREE THAT IT, AND/OR ANY PART OF IT, SHALL NOT BE DISCLOSED TO ANY PERSON, CORPORATION OR OTHER ENTITY, DUPLICATED, AND/OR USED, EXCEPT AS EXPRESSLY APPROVED IN WRITING IN ADVANCE BY OWNER. THIS DOCUMENT SHALL BE RETURNED TO OWNER UPON REQUEST. IT MAY BE SUBJECT TO CERTAIN RESTRICTIONS UNDER APPLICABLE EXPORT CONTROL LAWS AND REGULATIONS.</small>		

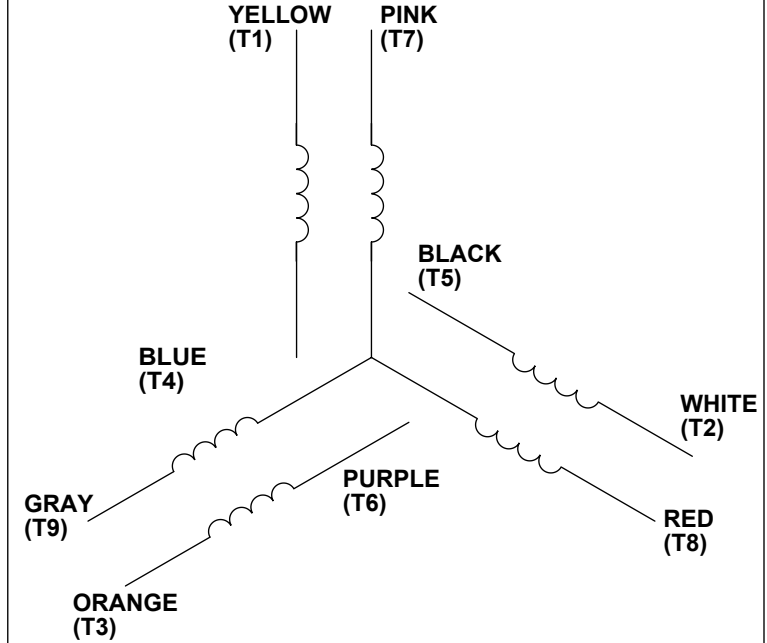
TOLERANCES UNLESS OTHERWISE SPECIFIED:			
DEC.	INCH	mm	ANGLE
.X	±0.1	[±2.5]	±0.5°
.XX	±0.01	[±0.25]	
.XXX	±0.005	[±0.127]	
.XXXX	±0.0005	[±0.0127]	
REMOVE BURRS & BREAK SHARP EDGES: .003/.015 [0.076/.381]			
CORNER FILLETS: .02 [0.51]			
MACHINED SURFACES: 125 INCH 3.2/mm			
mm SHOWN IN [BRACKETS]			

DRAWN BY		LST	
DATE	11/12/14	DESCRIPTION	
APPROVED BY		MOTOR ASSY	
DATE		56HC FRAME - TEFC- RIGID "C"	
REFERENCE		MATERIAL	PROCESS/FINISH
THIRD ANGLE PROJECTION		SIZE B	DRAWING NUMBER
			607-0187
			SHEET 1 OF 1

VIEW FROM OUTSIDE OF MOTOR AT SWITCH END.



## LINE LEADS



VOLTAGE	L1	L2	L3	JOIN & INSULATE
HIGH	T1	T2	T3	(T4,T7) (T5,T8) (T6,T9)
LOW	T1,T7	T2,T8	T3,T9	T4,T5,T6

RBC PROPRIETARY AND CONFIDENTIAL INFORMATION  
This document is the property of REGAL BELOIT CORPORATION ("RBC") including its subsidiaries and divisions and contains proprietary information of RBC. This document is loaned on the express condition that neither it nor the information contained therein shall be disclosed to others without the express written consent of RBC, and that the information shall be used by the recipient only as approved expressly by RBC. This document shall be returned to RBC upon its request. This document may be subject to certain restrictions under U.S. export control laws and regulations.

DRAWING REVISION <b>C</b>	REVISION BY <b>PVR</b>	DATE <b>04/23/14</b>
ECO <b>ECO-0049985</b>	APPROVED BY <b>JD</b>	DATE <b>04/23/14</b>
ECO DESCRIPTION <b>UPDATED PER ECO-0049985</b>		
<small>COPYRIGHT REGAL BELOIT AMERICA, INC. ALL RIGHTS RESERVED. PROPRIETARY AND CONFIDENTIAL INFORMATION - THIS DOCUMENT IS THE PROPERTY OF REGAL BELOIT AMERICA, INC. ("OWNER") AND CONTAINS OWNER'S PROPRIETARY INFORMATION. ANY PERSON, CORPORATION OR OTHER FIRM RECEIVING IT IS DEEMED, BY RECEIVING IT, TO AGREE THAT IT, AND/OR ANY PART OF IT, SHALL NOT BE DISCLOSED TO ANY PERSON, CORPORATION OR OTHER ENTITY, DUPLICATED, AND/OR USED, EXCEPT AS EXPRESSLY APPROVED IN WRITING IN ADVANCE BY OWNER. THIS DOCUMENT SHALL BE RETURNED TO OWNER UPON REQUEST. IT MAY BE SUBJECT TO CERTAIN RESTRICTIONS UNDER APPLICABLE EXPORT CONTROL LAWS AND REGULATIONS.</small>		

TOLERANCES UNLESS OTHERWISE SPECIFIED:			
DEC.	INCH	mm	ANGLE
.X	±0.1	[±2.5]	±0.5°
.XX	±0.01	[±0.25]	
.XXX	±0.005	[±0.127]	
.XXXX	±0.0005	[±0.0127]	
REMOVE BURRS & BREAK SHARP			
EDGES: .003/.015 [.076/.381]			
CORNER FILLETS: .02 [.51]			
MACHINED SURFACES: 125/3.2			
INCH  mm			
mm SHOWN IN [BRACKETS]			

DRAWN BY <b>LST</b>
DATE <b>4/3/14</b>
APPROVED BY
DATE
PROCESS/FINISH
THIRD ANGLE PROJECTION

Regal Beloit America, Inc.

DESCRIPTION <b>LEAD ASSY EXT. WIRING DIA. 3 PH. W/O PROT.</b>	MATERIAL
SIZE <b>A</b>	DRAWING NUMBER <b>00501052</b>
SHEET <b>1 OF 1</b>	

Data Sheet

Date: 1/30/2018

119511.00



Data @ 460 V

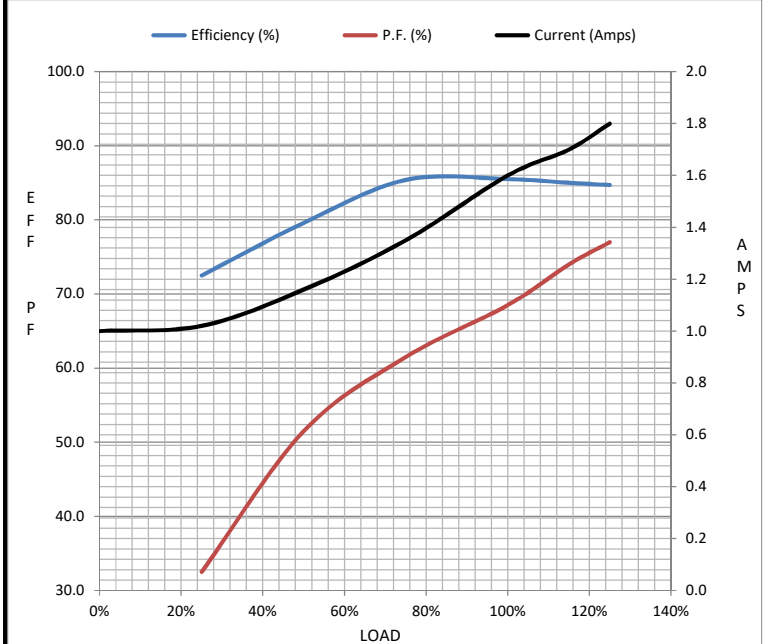
Motor Load Data

Load	0%	25%	50%	75%	100%	115%	125%	LR
Current (Amps)	1.00	1.02	1.16	1.35	1.60	1.70	1.80	14.0
Torque (ft-lb)	0.00	0.75	1.50	2.25	3.0	3.5	3.8	12.0
RPM	1800	1789	1779	1769	1760	1.750	1745	0
Efficiency (%)		72.5	79.6	85.4	85.5	85.0	84.7	
P.F. (%)	8.0	32.5	51.5	61.5	68.5	74.0	77.0	41.0

Motor Speed Data

	LR	Pull-Up	BD	Rated	Idle
Speed (RPM)	0	900	1170	1760	1800
Current (Amps)	14.0	13.0	9.9	1.60	1.00
Torque (ft-lb)	12.0	11.9	15.8	3.0	0.00

Information Block				
HP	1.0			
Sync. RPM	1800			
Frame	140			
Enclosure	TEFC			
Construction	TFR			
Voltage	208-230/460#190/380 V			
Frequency	60 Hz			
Design	B			
LR Code letter	N			
Service Factor	1.15			
Temp Rise @ FL	38 °C			
Duty	CONT			
Ambient	40 °C			
Elevation	1,000 feet			
Rotor/Shaft wk <sup>2</sup>	0.12 Lb-Ft <sup>2</sup>			
Ref Wdg	T634342 FR			
Sound Pressure @ 1M	65 dBA			
VFD Rating	CONSTANT 6:1			
Outline Dwg	607-0187-700			
Conn. Diag	005010.52			
Additional Specifications:				
0				
0				
EQUIV CKT (OHMS / PHASE)				
R1	R2	X1	X2	Xm
0.0000	0.0000	0.0000	0.0000	0.0000



Speed - Torque Curve

