

# PRODUCT INFORMATION PACKET



Model No: 119234.00  
Catalog No: 119234.00  
1 HP Washdown Motor, 1 phase, 3600 RPM, 115/208-230 V, 56J Frame, TEFC  
Jet Pump Motors



Regal and Leeson are trademarks of Regal Rexnord Corporation or one of its affiliated companies.  
©2021 Regal Rexnord Corporation, All Rights Reserved. MC017097E





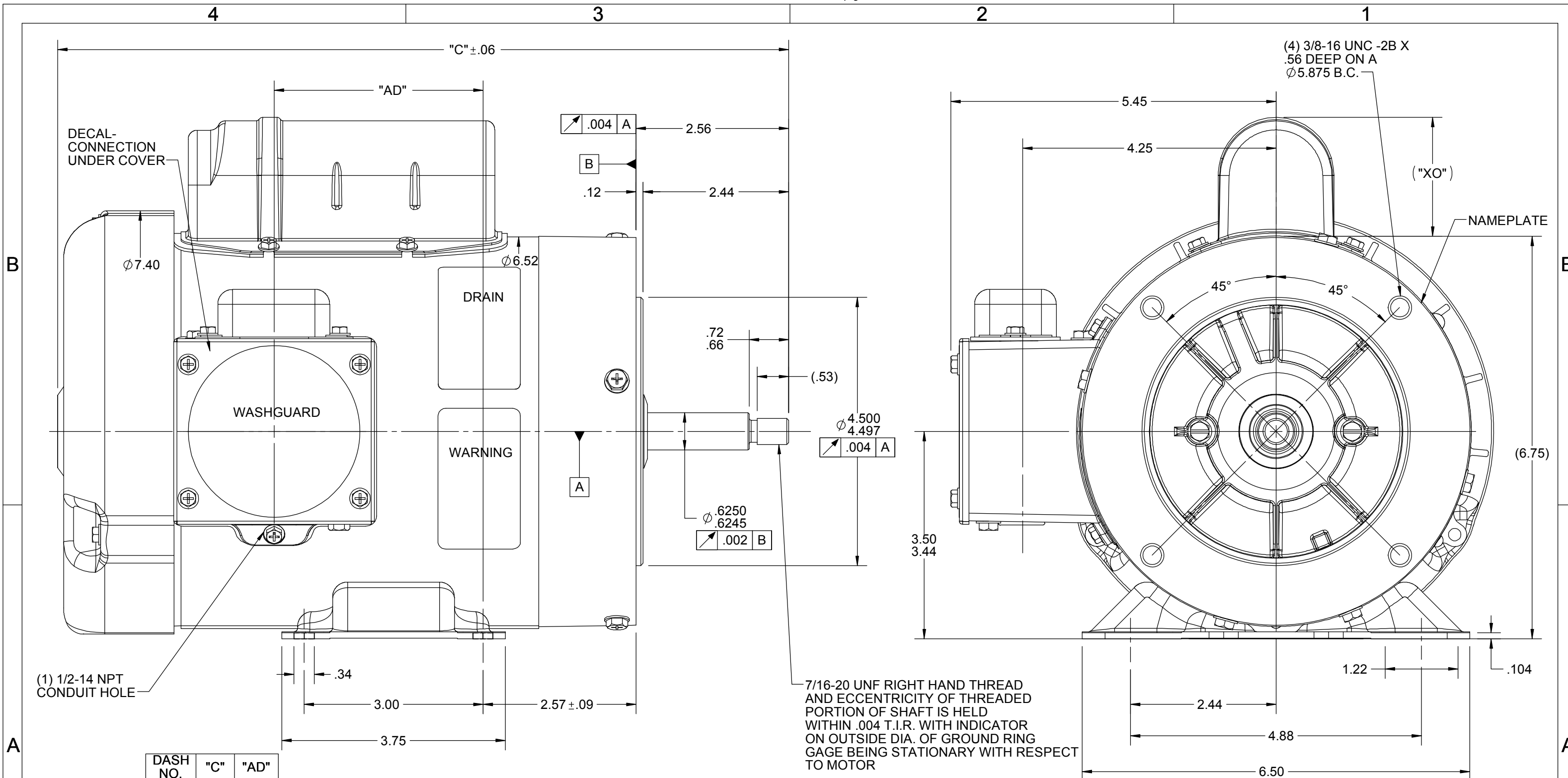
### Nameplate Specifications

Output HP	1 Hp	Output KW	0.75 kW
Frequency	60 Hz	Voltage	115/208-230 V
Current	12.0/6.2-6.0 A	Speed	3450 rpm
Service Factor	1.15	Phase	1
Efficiency	70 %	Power Factor	76
Duty	Continuous	Insulation Class	F
Design Code	N	KVA Code	J
Frame	56J	Enclosure	Totally Enclosed Fan Cooled
Thermal Protection	No	Ambient Temperature	40 °C
Drive End Bearing Size	6205	Opp Drive End Bearing Size	6203
UL	Recognized	CSA	Y
CE	N	IP Code	55
Number of Speeds	1		

### Technical Specifications

Electrical Type	Capacitor Start Induction Run	Starting Method	Across The Line
Poles	2	Rotation	Fixed Clockwise
Resistance Main	1.92 Ohms	Mounting	Round
Motor Orientation	Horizontal	Drive End Bearing	Ball
Opp Drive End Bearing	Ball	Frame Material	Rolled Steel
Shaft Type	J	Overall Length	12.37 in
Frame Length	6.00 in	Shaft Diameter	0.625 in
Shaft Extension	2.44 in	Assembly/Box Mounting	F1 ONLY
Outline Drawing	607-0185-600B	Connection Drawing	005278.28

This is an uncontrolled document once printed or downloaded and is subject to change without notice. Date Created:10/07/2021



(1) 1/2-14 NPT CONDUIT HOLE

DASH NO.	"C"	"AD"
600	12.26	3.50
625	12.51	3.75
650	12.76	4.00
675	13.01	4.25
700	13.26	4.50
725	13.51	4.75

CAP DASH	"XO"
A	1.48
B	1.95
C	2.19

- SPECIAL FEATURES:**
- SHAFT SEALS & V-RING
  - PLUGGED DRAIN HOLES IN ENDBELLS & CONDUIT BOX
  - BUNA N GASKET THROUGHOUT
  - STAINLESS STEEL SHAFT, HARDWARE & NAMEPLATE
  - SOLID STATE SWITCH MOUNTED TO CONDUIT BOX

DRAWING REVISION B	REVISION BY KHADHAR	DATE 04/04/2019
ECO ECO-0164992	APPROVED BY D.SURYAWANSHI	DATE 04/04/2019
ECO DESCRIPTION <b>UPDATED DIM 'C'</b>		
<small>COPYRIGHT REGAL BELOIT AMERICA, INC. ALL RIGHTS RESERVED. PROPRIETARY AND CONFIDENTIAL INFORMATION - THIS DOCUMENT IS THE PROPERTY OF REGAL BELOIT AMERICA, INC. ("OWNER") AND CONTAINS OWNER'S PROPRIETARY INFORMATION. ANY PERSON, CORPORATION OR OTHER FIRM RECEIVING IT IS DEEMED, BY RECEIVING IT, TO AGREE THAT IT, AND/OR ANY PART OF IT, SHALL NOT BE DISCLOSED TO ANY PERSON, CORPORATION OR OTHER ENTITY, DUPLICATED, AND/OR USED, EXCEPT AS EXPRESSLY APPROVED IN WRITING IN ADVANCE BY OWNER. THIS DOCUMENT SHALL BE RETURNED TO OWNER UPON REQUEST. IT MAY BE SUBJECT TO CERTAIN RESTRICTIONS UNDER APPLICABLE EXPORT CONTROL LAWS AND REGULATIONS.</small>		

TOLERANCES UNLESS OTHERWISE SPECIFIED:

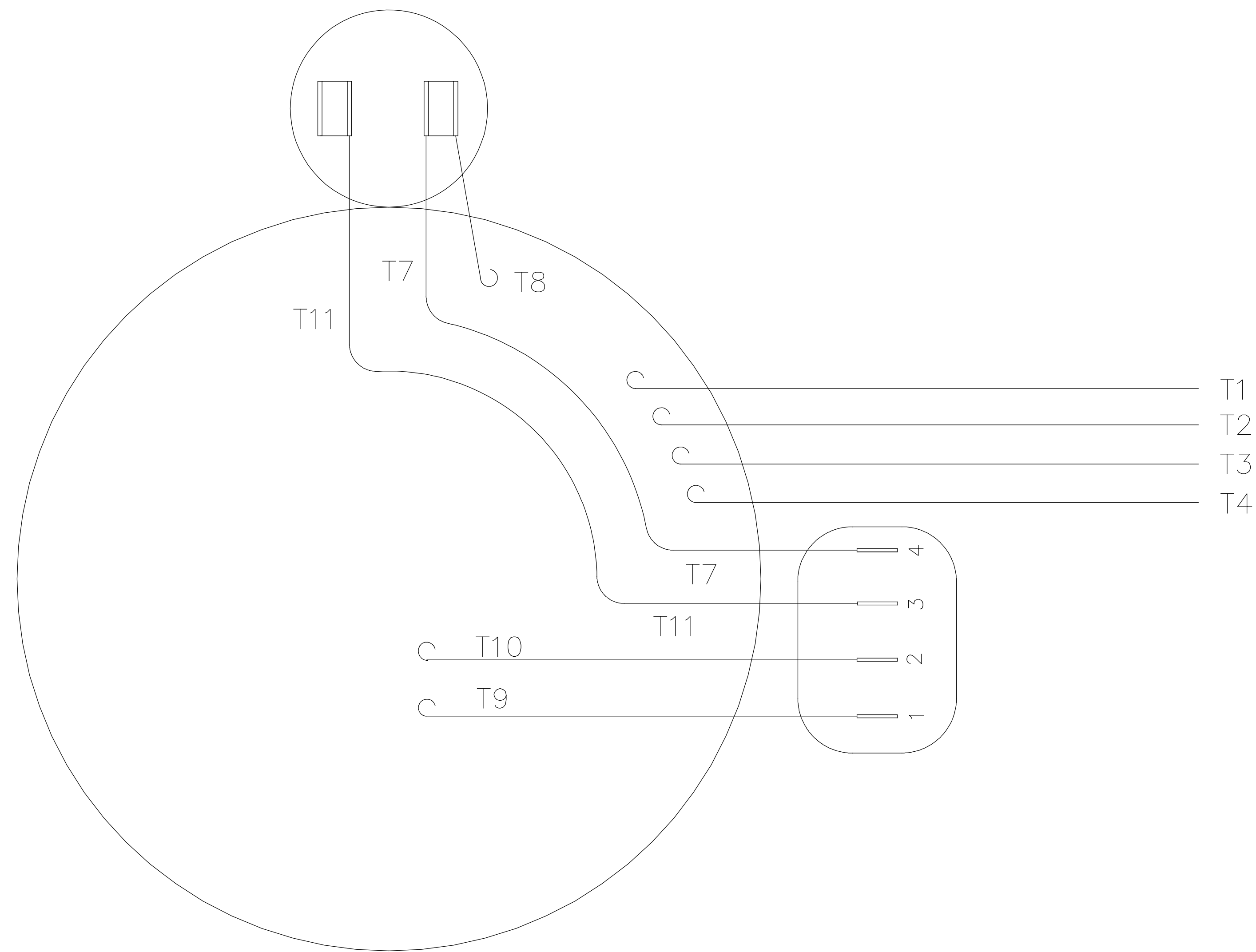
DEC.	INCH	mm	ANGLE
X	±0.1	[±2.5]	±0.5°
.XX	±0.01	[±0.25]	
.XXX	±0.005	[±0.127]	
.XXXX	±0.0005	[±0.0127]	

REMOVE BURRS & BREAK SHARP EDGES: .003/.015 [.076/.381]  
CORNER FILLETS: .02 [.51]  
MACHINED SURFACES: 125 INCH 3.2 mm

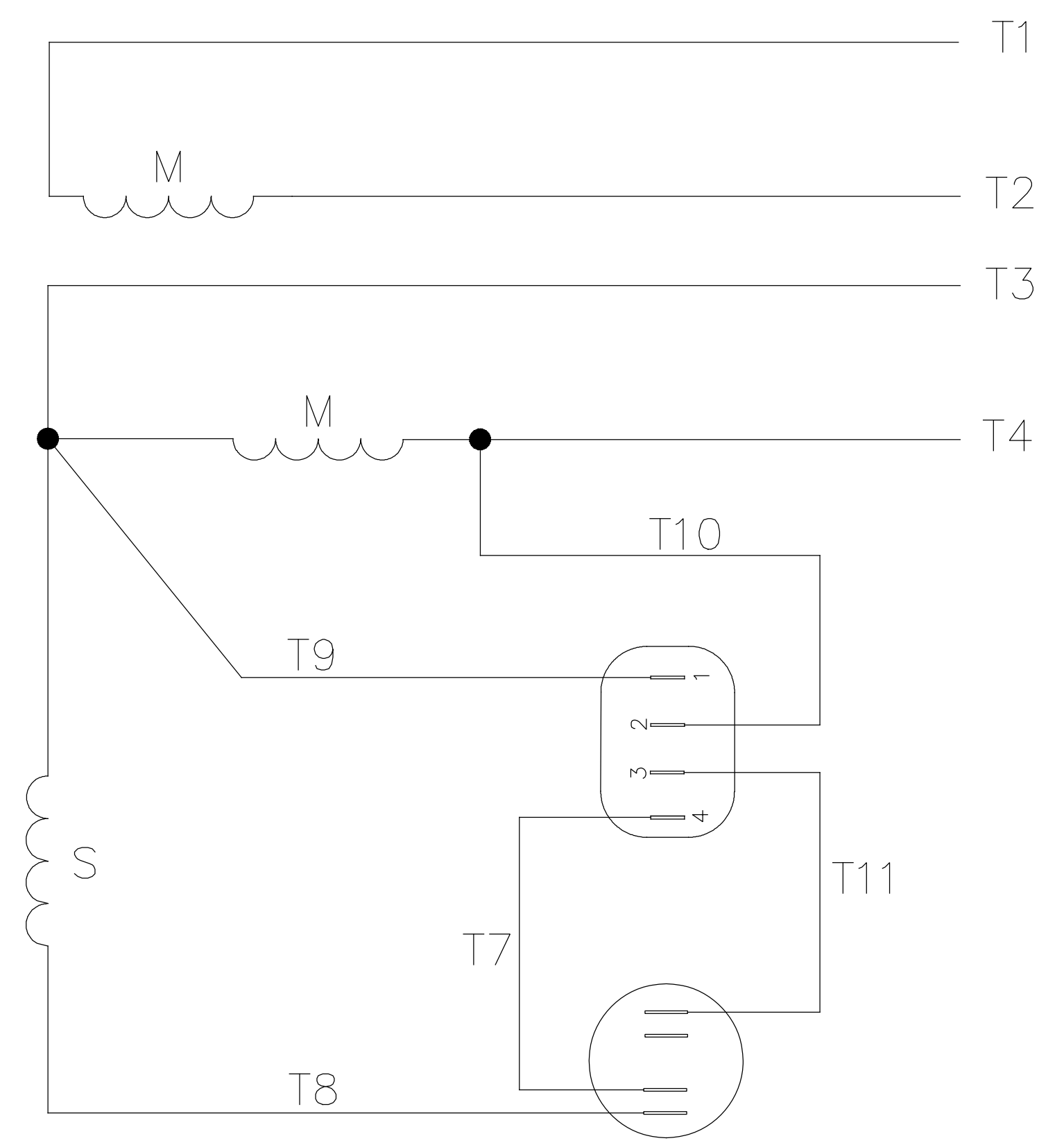
DRAWN BY LST	DATE 10/21/14
APPROVED BY	DATE
REFERENCE	THIRD ANGLE PROJECTION

<b>REGAL</b> ™ Regal Beloit America, Inc.	
DESCRIPTION <b>OUTLINE</b> TEFC - RIGID "C" - 56J FRAME	
MATERIAL	PROCESS/FINISH
SIZE <b>B</b>	DRAWING NUMBER <b>607-0185</b>
SHEET 1 OF 1	

VIEW FROM OUTSIDE OF MOTOR AT LEAD END



LINE LEADS



VOLTAGE	ROTATION FACING LEAD END	L1	L2	JOIN & INSULATE
HIGH	C.W.	T1	T4	T2,T3
LOW	C.W.	T1,T3	T2,T4	

ORACLE  
PART  
REV  
00

		TOLERANCES UNLESS SPECIFIED		LEESON ELECTRIC MOTORS GEARMOTORS AND DRIVES		DRAWN VJB 07/12/17	
		DEC.	INCHES	TITLE		CHK	
		.X	±.1	EXTERNAL WIRING DIAGRAM		APPD	
		.XX	±.01	TYPE "C" W/O PROTECTOR		SCALE 1=1	
		.XXX	±.005	MAT'L. DECAL - 081452		REF 005278.07	
A	NEW DRAWING RELEASE	VJB	07/12/17	FINISH		FMF 119228.00	
NO.	REVISION	BY & DATE	CHK	ANG	±1/2°	PREV	
THIS DRAWING IN DESIGN AND DETAIL IS OUR PROPERTY AND MUST NOT BE USED EXCEPT IN CONNECTION WITH OUR WORK ALL RIGHTS OF DESIGN AND INVENTION ARE RESERVED THIS IS AN ELECTRONICALLY GENERATED DOCUMENT - DO NOT SCALE THIS PRINT				RFP	CAD FILE 00527828	SIZE A	DRAWING NO. 005278-28
				DIST		PAGE OF	REV. A



1051 CHEYENNE AVE.  
GRAFTON, WI 53024  
PH. 262-377-8810

**CERTIFICATION DATA SHEET**

**CONN. DIAGRAM:** 005278.28  
**OUTLINE:** 607-0185-600B  
**WINDING #:** C632211 FR 6 A

**CATALOG #:** 119234.00  
**MOUNTING:** F1 ONLY

**TYPICAL MOTOR PERFORMANCE DATA**

HP	kW	SYNC. RPM	F.L. RPM	FRAME	ENCLOSURE	KVA CODE	DESIGN
1	0.75	3600	3450	56J	TEFC	J	N

PH	Hz	VOLTS	AMPS	START TYPE	DUTY	INSL	S.F.	AMB°C
1	60	115/208-230	12/6.2-6	ACROSS THE LINE	CONTINUOUS	F4	1.15	40

FULL LOAD EFF:	70	3/4 LOAD EFF:	68.7	1/2 LOAD EFF:	63.5	GTD. EFF	ELEC. TYPE
FULL LOAD PF:	76	3/4 LOAD PF:	69.4	1/2 LOAD PF:	58.3	64	CAP START IND RUN

F.L. TORQUE	LOCKED ROTOR AMPS	L.R. TORQUE	B.D. TORQUE	F.L. RISE°C
24 OZ-FT	68 / 34	80 OZ-FT 333 %	64 OZ-FT 267 %	60

SOUND PRESSURE @ 3 FT.	SOUND POWER	ROTOR WK^2	MAX. WK^2	SAFE STALL TIME	STARTS / HOUR	APPROX. MOTOR WGT
0 dBA	10 dBA	0.05 LB-FT^2	0 LB-FT^2	10 SEC.	0	30 LBS.

**\*\*\* SUPPLEMENTAL INFORMATION \*\*\***

DE BRACKET TYPE	ODE BRACKET TYPE	MOUNT TYPE	ORIENTATION	SEVERE DUTY	HAZARDOUS LOCATION	DRIP COVER	SCREENS	PAINT
C-FACE	STANDARD	ROUND	HORIZONTAL	FALSE	NONE	FALSE	NONE	WHITE - LEESON (EPOXY)

BEARINGS		GREASE	SHAFT TYPE	SPECIAL DE	SPECIAL ODE	SHAFT MATERIAL	FRAME MATERIAL
DE	ODE						
BALL	BALL	POLYREX EM	JET PUMP	NONE	NONE	303 STAINLESS (C-501)	ROLLED STEEL
6205	6203						

THERMO-PROTECTORS				THERMISTORS	CONTROL	SPACE HEATERS
THERMOSTATS	PROTECTORS	WDG RTDs	BRG RTDs			
NONE	NOT	NONE	NONE	NONE	FALSE	NONE VOLTS

\*  
N  
O  
T  
E  
S  
\*

<b>INVERTER TORQUE:</b> NONE
<b>INV. HP SPEED RANGE:</b> NONE
<b>ENCODER:</b> NONE NONE NONE NONE NONE PPR
<b>BRAKE:</b> NONE NONE NONE P/N NONE NONE NONE NONE FT-LB NONE V NONE Hz



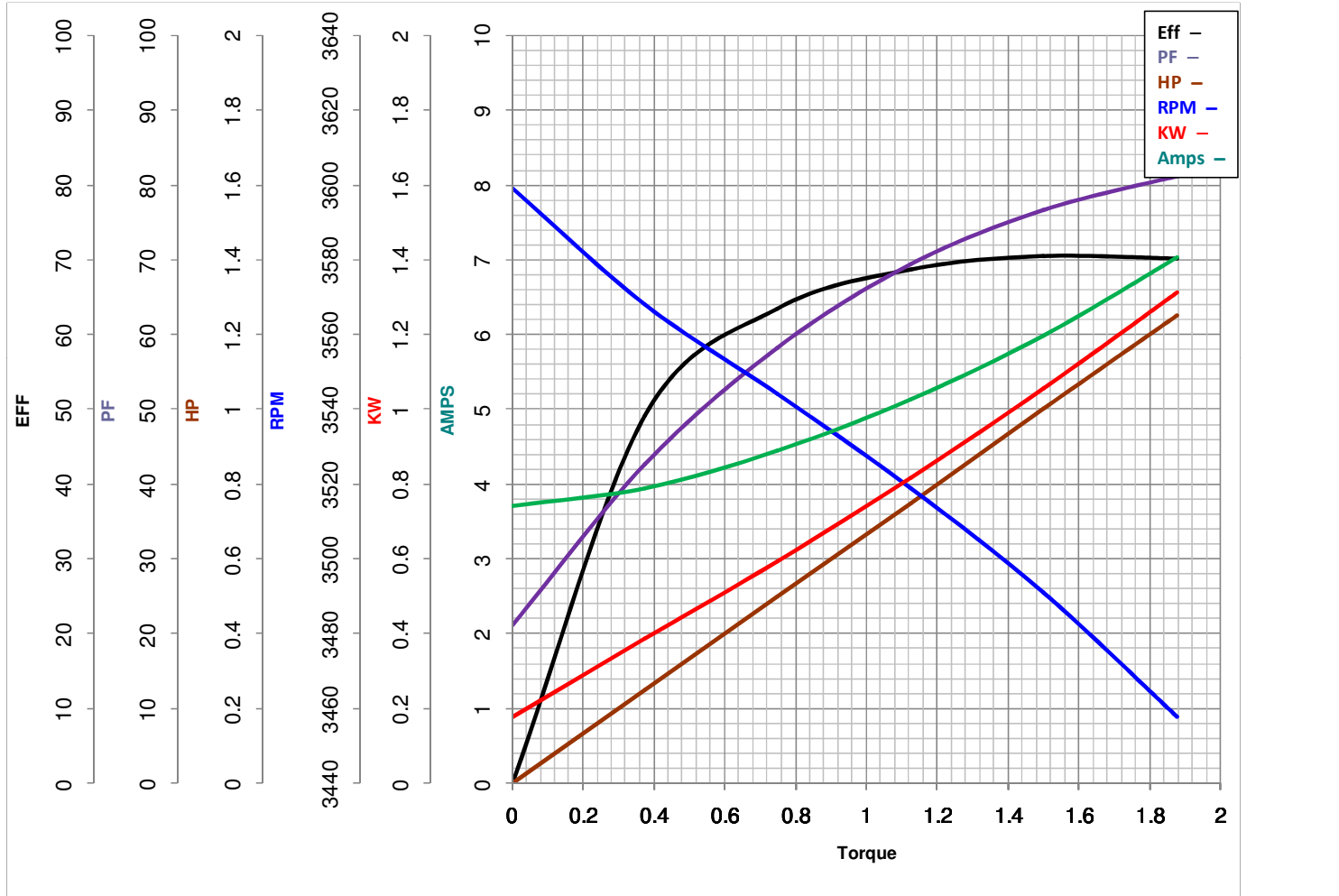
**LEESON ELECTRIC CORPORATION**  
 TYPICAL PERFORMANCE CURVE for AC MOTOR

Model No 119234.00

Curve at 230 Volts HP 1.00 PHASE 1  
60 HZ  
1 HP VOLTS 115/208-230

Catalog No 119234.00

HZ 60 RPM 3450



Torque in Lb.Ft

FL TORQUE 1.5 Lb.Ft  
 BD TORQUE 4.0 Lb.Ft  
 LR TORQUE 5 Lb.Ft

FL AMPS 12/6.2-6  
 PU TORQUE 3.8 Lb.Ft  
 LR AMPS 34

WINDING C632211-3

Date 4/23/2018