

PRODUCT INFORMATION PACKET



Model No: 117936.00
Catalog No: 117936.00
0.75 HP Hydraulic Motor, 3 phase, 1800 RPM, 208-230/460 V, 56YZ Frame, TEFC
Hydraulic Motors



Regal and Leeson are trademarks of Regal Beloit Corporation or one of its affiliated companies.
©2021 Regal Beloit Corporation, All Rights Reserved. MC017097E





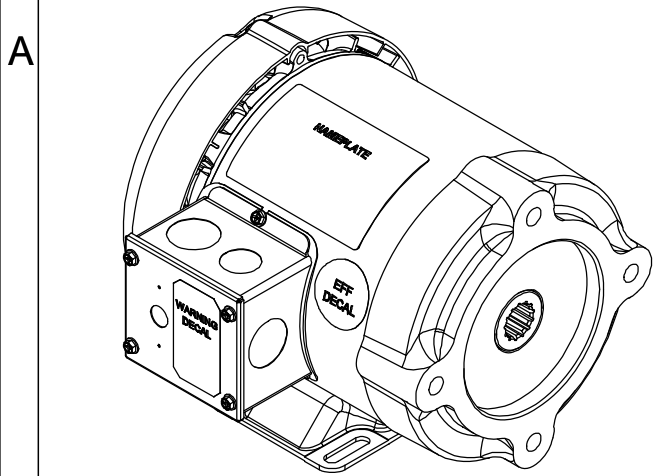
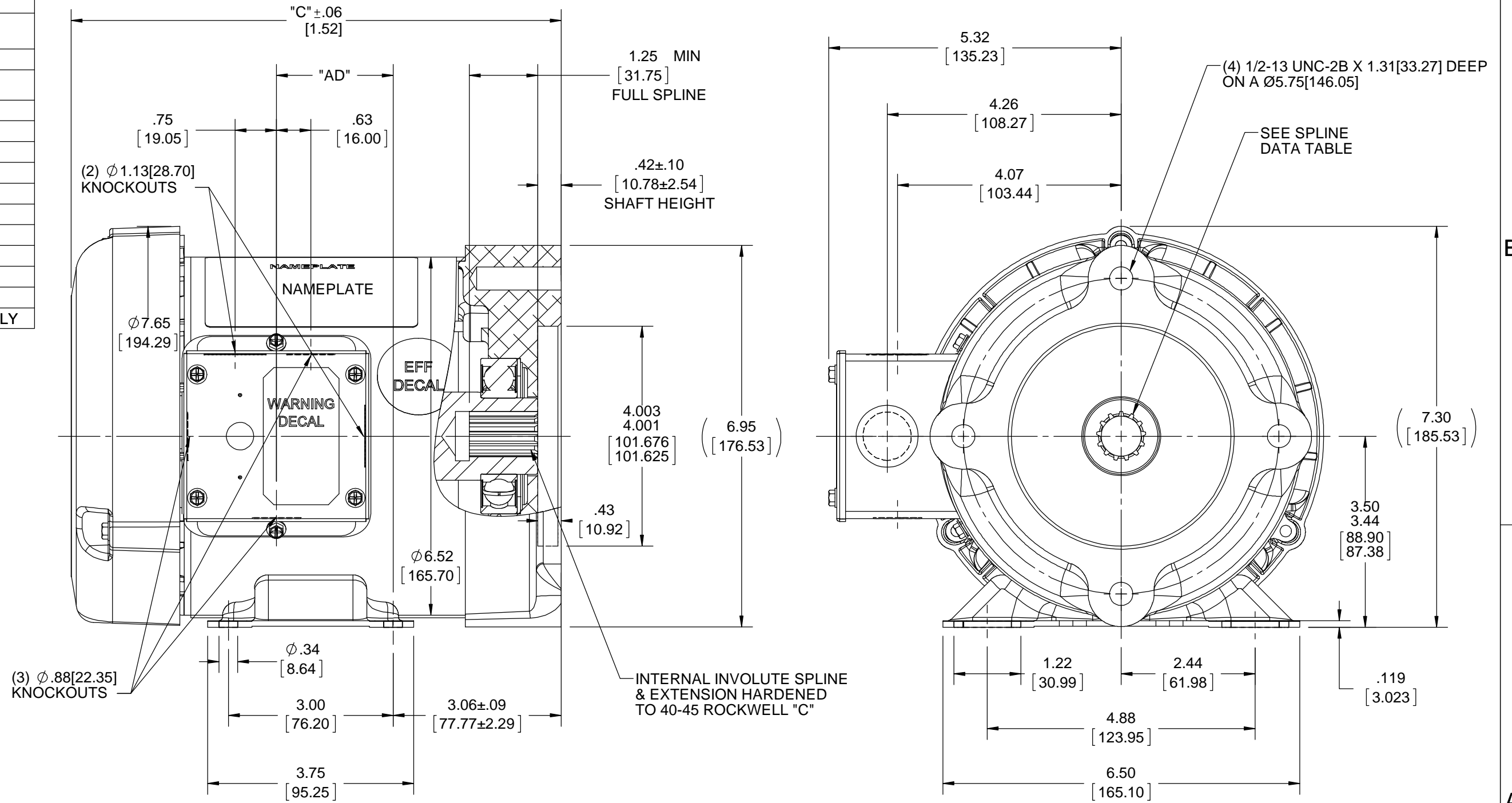
Nameplate Specifications

Output HP	0.75 Hp	Output KW	0.56 kW
Frequency	60 Hz	Voltage	208-230/460 V
Current	2.7-2.8/1.4 A	Speed	1725 rpm
Service Factor	1.15	Phase	3
Efficiency	77 %	Power Factor	65
Duty	Continuous	Insulation Class	F
Design Code	B	KVA Code	K
Frame	56YZ	Enclosure	Totally Enclosed Fan Cooled
Thermal Protection	No	Ambient Temperature	40 °C
Drive End Bearing Size	6207	Opp Drive End Bearing Size	6203
UL	Recognized	CSA	Y
CE	N	IP Code	43
Number of Speeds	1		

Technical Specifications

Electrical Type	Squirrel Cage Inverter Rated	Starting Method	Line Or Inverter
Poles	4	Rotation	Reversible
Resistance Main	26.24 Ohms	Mounting	Rigid Base
Motor Orientation	Horizontal	Drive End Bearing	Ball
Opp Drive End Bearing	Ball	Frame Material	Rolled Steel
Shaft Type	Single Special Extension	Overall Length	9.43 in
Frame Length	5.50 in	Shaft Diameter	1.375 in
Shaft Extension	SAE SPLINE SHAFT in	Assembly/Box Mounting	F1 ONLY
Outline Drawing	607-0366-550	Connection Drawing	005010.01

INTERNAL INVOLUTE SPLINE DATA	
FLAT ROOT SIDE FIT - CLASS 5	
NUMBER OF TEETH	13
SPLINE PITCH	16/32
PRESSURE ANGLE	30°
BASE DIAMETER	.7036 REF
PITCH DIAMETER	.8125 REF
MAJOR DIAMETER	.897 MAX
FORM DIAMETER	.879
MINOR DIAMETER	.755/.750
CIRCULAR SPACE WIDTH	
MAX ACTUAL	.1008
MIN EFFECTIVE	.0982
SIZE BETWEEN Ø.108 PINS	BHT .654/.656 AHT .652/.654
ANSI B92.1-1996 PROVISIONS APPLY	



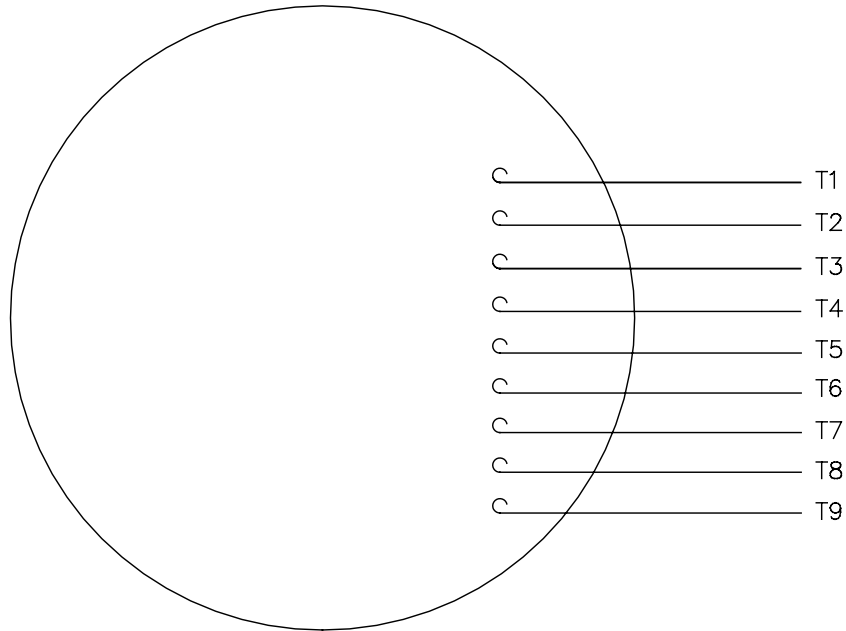
NOTE:
 1.BASE&MOUNTING TAPS TO BE SQUARE & PARALLEL TO EACH OTHER ±.03 MAX.
 2.GASKETS THROUGHOUT.

DASH NO.	"C"	"AD"
500	8.93[226.82]	2.13[54.10]
550	9.43[239.52]	2.63[66.80]

DRAWING REVISION A	REVISION BY	DATE	TOLERANCES UNLESS OTHERWISE SPECIFIED: DEC. INCH mm ANGLE ±0.5° .X ±0.1 [±2.5] .XX ±0.03 [±0.76] .XXX ±0.005 [±0.127] .XXXX ±0.0005 [±0.0127]	DRAWN BY A. KEETHA	Regal Beloit America, Inc.
ECO ECO-0157671	APPROVED BY	DATE	REMOVE BURRS & BREAK SHARP EDGES: .003/.015 [.076/.381] X 45° CORNER FILLETS: R.02 [.51] MACHINED SURFACES: 125 INCH mm 3.2	DATE 04/16/2018	
ECO DESCRIPTION OUTLINE CONVERSION PROJECT COPYRIGHT REGAL BELOIT AMERICA, INC. ALL RIGHTS RESERVED. PROPRIETARY AND CONFIDENTIAL INFORMATION - THIS DOCUMENT IS THE PROPERTY OF REGAL BELOIT AMERICA, INC. ("OWNER") AND CONTAINS OWNER'S PROPRIETARY INFORMATION. ANY PERSON, CORPORATION OR OTHER FIRM RECEIVING IT IS DEEMED, BY RECEIVING IT, TO AGREE THAT IT, AND/OR ANY PART OF IT, SHALL NOT BE DISCLOSED TO ANY PERSON, CORPORATION OR OTHER ENTITY, DUPLICATED, AND/OR USED, EXCEPT AS EXPRESSLY APPROVED IN WRITING IN ADVANCE BY OWNER. THIS DOCUMENT SHALL BE RETURNED TO OWNER UPON REQUEST. IT MAY BE SUBJECT TO CERTAIN RESTRICTIONS UNDER APPLICABLE EXPORT CONTROL LAWS AND REGULATIONS.				APPROVED BY JD	
				DATE 12/03/2018	
				REFERENCE 607-0160	
				THIRD ANGLE PROJECTION	DESCRIPTION OUTLINE TEFC-RIGID-SAE B 2-BOLT PUMP
				SIZE B	MATERIAL PROCESS/FINISH
				DRAWING NUMBER 607-0366	SHEET 1 OF 1

005010-01

VIEW FROM OUTSIDE OF MOTOR AT SWITCH END.



VOLTAGE	L1	L2	L3	JOIN & INSULATE
HIGH	T1	T2	T3	(T4,T7) (T5,T8) (T6,T9)
LOW	T1,T7	T2,T8	T3,T9	T4,T5,T6

TOLERANCES
UNLESS SPECIFIED

DEC.	INCHES
.X	±.1
.XX	±.01
.XXX	±.005
.XXXX	±.0005
ANG	±1/2°



DRAWN	RDW 04/12/02
CHK	
APPD	
SCALE	1=1
REF	FIG.2-51
FMF	
PREV	

A	UPDATED TO REGAL LOGO	SAJ 06/26/15	AJY	.XXXX	±.0005	MAT'L.	DECAL - 004014
NO.	REVISION	BY & DATE	CHK	ANG	±1/2°	FINISH	

TITLE	EXTERNAL WIRING DIAGRAM 3 PHASE W/O PROTECTOR
FINISH	

THIS DRAWING IN DESIGN AND DETAIL IS OUR PROPERTY AND MUST NOT BE USED EXCEPT IN CONNECTION WITH OUR WORK ALL RIGHTS OF DESIGN AND INVENTION ARE RESERVED THIS IS AN ELECTRONICALLY GENERATED DOCUMENT - DO NOT SCALE THIS PRINT

RFP	04/12/02	CAD FILE	00501001
DIST	BRF-NLV		

SIZE	DRAWING NO.	REV.
A	005010-01	A



CERTIFICATION DATA SHEET

**1051 CHEYENNE AVE.
GRAFTON, WI 53024
PH. 262-377-8810**

CATALOG #: 117936.00

CONN. DIAGRAM: 005010.01

OUTLINE: 607-0160-550

MOUNTING: F1 ONLY

WINDING #: T634188 FR 3 A

TYPICAL MOTOR PERFORMANCE DATA

HP	kW	SYNC. RPM	F.L. RPM	FRAME	ENCLOSURE	KVA CODE	DESIGN
3/4	0.56	1800	1725	56YZ	TEFC	K	B

PH	Hz	VOLTS	AMPS	START TYPE	DUTY	INSL	S.F.	AMB°C
3	60	208-230/460	2.7-2.8/1.4	LINE OR INVERTER	CONTINUOUS	F4	1.15	40

FULL LOAD EFF:	77	3/4 LOAD EFF:	75.6	1/2 LOAD EFF:	70.4	GTD. EFF		ELEC. TYPE
FULL LOAD PF:	65	3/4 LOAD PF:	54.7	1/2 LOAD PF:	42.5	0		SQ CAGE INV RATED

F.L. TORQUE	LOCKED ROTOR AMPS	L.R. TORQUE	B.D. TORQUE	F.L. RISE°C
36 OZ-FT	16.2 / 8.1	106 OZ-FT 294 %	134 OZ-FT 372 %	0

SOUND PRESSURE @ 3 FT.	SOUND POWER	ROTOR WK^2	MAX. WK^2	SAFE STALL TIME	STARTS / HOUR	APPROX. MOTOR WGT
52 dBA	62 dBA	0.06 LB-FT^2	0.1 LB-FT^2	10 SEC.	0	0 LBS.

***** SUPPLEMENTAL INFORMATION *****

DE BRACKET TYPE	ODE BRACKET TYPE	MOUNT TYPE	ORIENTATION	SEVERE DUTY	HAZARDOUS LOCATION	DRIP COVER	SCREENS	PAINT
PUMP SPECIAL	STANDARD	RIGID	HORIZONTAL	FALSE	NONE	FALSE	NONE	BLUE - LEESON (ENAMEL)

BEARINGS		GREASE	SHAFT TYPE	SPECIAL DE	SPECIAL ODE	SHAFT MATERIAL	FRAME MATERIAL
DE	ODE						
BALL	BALL	POLYREX EM	SGL SPL EXT	SPECIAL	NONE	1144 STRESSPROOF (C-223)	ROLLED STEEL
6207	6203						

THERMO-PROTECTORS				THERMISTORS	CONTROL	SPACE HEATERS
THERMOSTATS	PROTECTORS	WDG RTDs	BRG RTDs			
NONE	NOT	NONE	NONE	NONE	FALSE	NONE VOLTS

*
N
O
T
E
S

INVERTER TORQUE: CONSTANT 10:1
INV. HP SPEED RANGE: 1.25 X BASE SPEED
ENCODER: NONE NONE NONE NONE NONE PPR
BRAKE: NONE NONE NONE P/N NONE NONE NONE FT-LB NONE V NONE Hz

Data Sheet

Date: 1/18/2018

117936.00



Data @ **460 V**

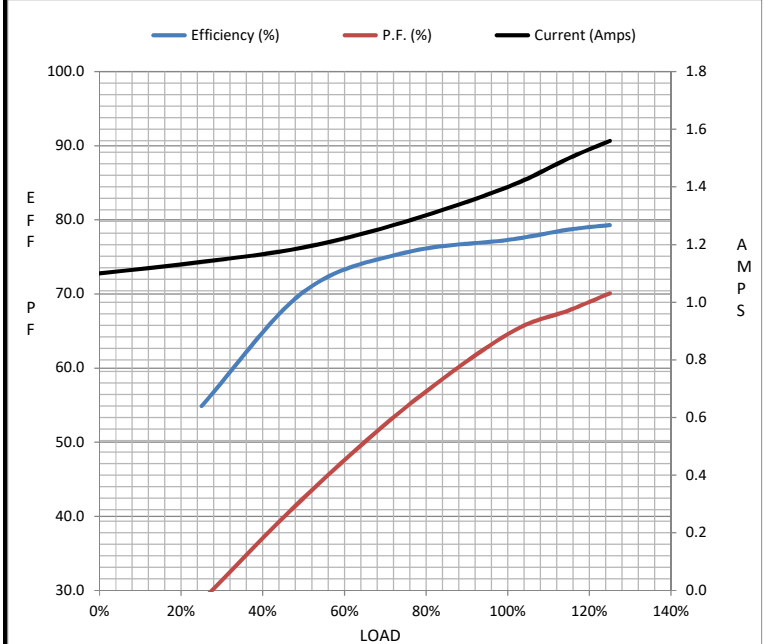
Motor Load Data

Load	0%	25%	50%	75%	100%	115%	125%	LR
Current (Amps)	1.10	1.14	1.19	1.28	1.40	1.50	1.56	8.1
Torque (ft-lb)	0.00	144	287	431	574	660	718	1,691
RPM	1800	1787	1774	1760	1745	1,735	1730	0
Efficiency (%)		54.9	70.3	75.6	77.3	78.7	79.3	
P.F. (%)	13.0	28.6	42.5	54.7	64.6	67.8	70.1	0.0

Motor Speed Data

	LR	Pull-Up	BD	Rated	Idle
Speed (RPM)	0	300	1550	1745	1800
Current (Amps)	8.1	8.0	4.9	1.40	1.10
Torque (ft-lb)	1,691	1,643	2,137	574	0.00

Information Block				
HP	0.8			
Sync. RPM	1800			
Frame	140			
Enclosure	TEFC			
Construction	TFR			
Voltage	208-230/460 V			
Frequency	60 Hz			
Design	B			
LR Code letter	K			
Service Factor	1.15			
Temp Rise @ FL	60 °C			
Duty	CONT			
Ambient	40 °C			
Elevation	1,000 feet			
Rotor/Shaft wk ²	0.06 Lb-Ft ²			
Ref Wdg	T634188 FR			
Sound Pressure @ 1M	52 dBA			
VFD Rating	CONSTANT 10:1			
Outline Dwg	607-0160-550			
Conn. Diag	005010.01			
Additional Specifications:				
0				
0				
EQUIV CKT (OHMS / PHASE)				
R1	R2	X1	X2	Xm
0.0000	0.0000	0.0000	0.0000	0.0000



Speed - Torque Curve

