

PRODUCT INFORMATION PACKET



Model No: 117127.00
Catalog No: 117127.00
0.50 HP Washdown Motor, 3 phase, 1800 RPM, 208-230/460 V, 56C Frame, TENV
Washdown Motors



Regal and Leeson are trademarks of Regal Rexnord Corporation or one of its affiliated companies.
©2021 Regal Rexnord Corporation, All Rights Reserved. MC017097E



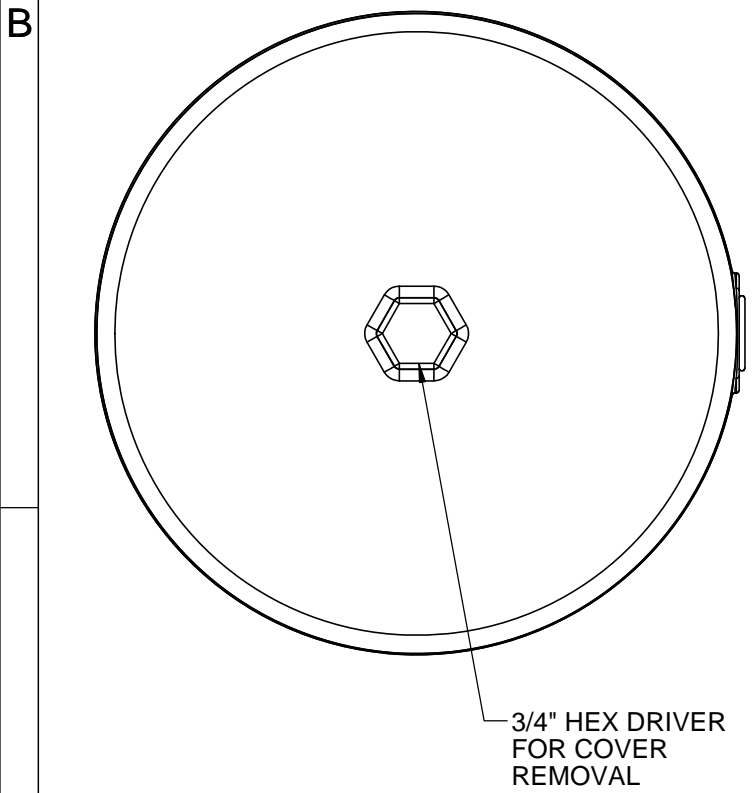


Nameplate Specifications

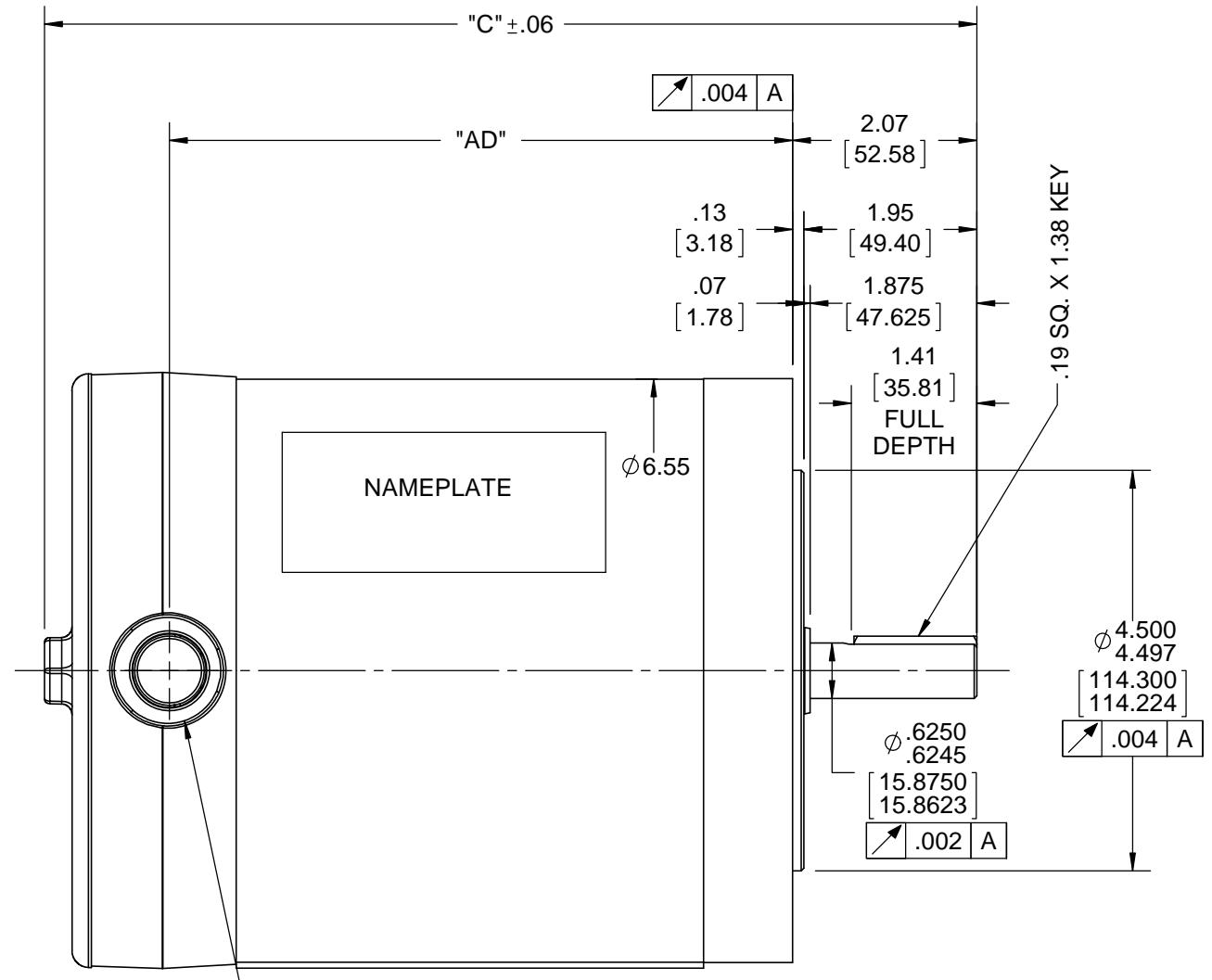
| | | | |
|------------------------|-----------------------|----------------------------|--|
| Output HP | 0.50 Hp | Output KW | 0.37 kW |
| Frequency | 60 Hz | Voltage | 208-230/460 V |
| Current | 1.7-1.6/0.80 A | Speed | 1725 rpm |
| Service Factor | 1.15 | Phase | 3 |
| Efficiency | 78.5 % | Power Factor | 73.6 |
| Duty | Continuous | Insulation Class | F |
| Design Code | B | KVA Code | K |
| Frame | 56C | Enclosure | Totally Enclosed Non Ventilated |
| Thermal Protection | No | Ambient Temperature | 40 °C |
| Drive End Bearing Size | 6205 | Opp Drive End Bearing Size | 6205 |
| UL | Recognized | CSA | Y |
| CE | Y | IP Code | 69 |
| Number of Speeds | 1 | | |

Technical Specifications

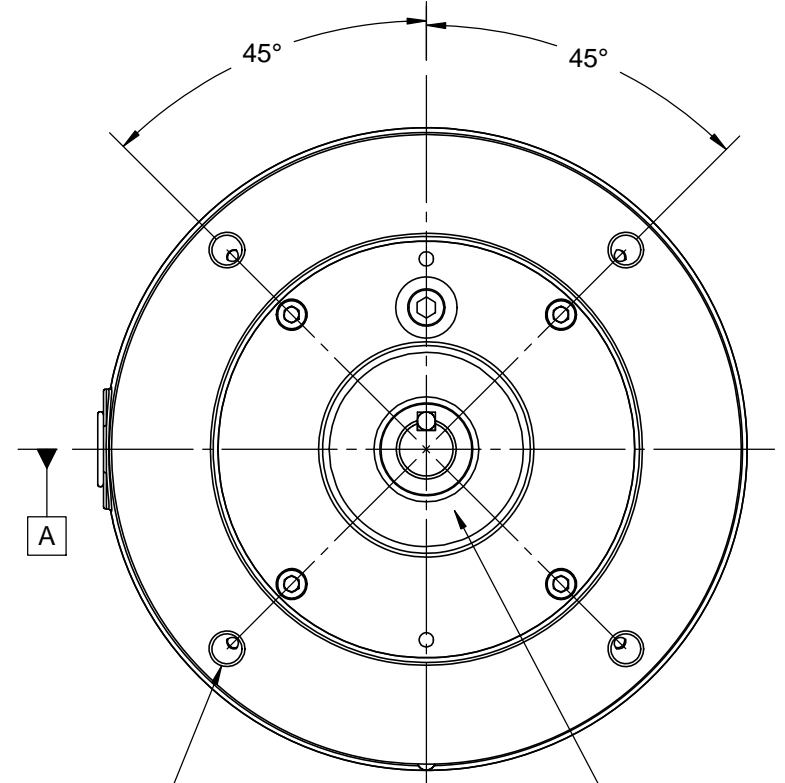
| | | | |
|-----------------------|------------------------------------|-----------------------|------------------------|
| Electrical Type | Squirrel Cage Induction Run | Starting Method | Across The Line |
| Poles | 4 | Rotation | Reversible |
| Resistance Main | 8.17 Ohms | Mounting | Round |
| Motor Orientation | Horizontal | Drive End Bearing | Ball |
| Opp Drive End Bearing | Ball | Frame Material | Rolled Steel |
| Shaft Type | NEMA 56 | Overall Length | 10.97 in |
| Frame Length | 5.75 in | Shaft Diameter | 0.625 in |
| Shaft Extension | 1.88 in | Assembly/Box Mounting | F1 Only |
| Outline Drawing | 028768-575 | Connection Drawing | 005010.52 |



3/4" HEX DRIVER FOR COVER REMOVAL



1/2-14 NPT CONDUIT HOLE



(4) 3/8-16 UNC-2B X .56 DEEP ON A Ø 5.875 B.C.

SHAFT SEAL

| DASH NO. | "C" | "AD" |
|----------|-------|------|
| 525 | 10.47 | 7.00 |
| 550 | 10.72 | 7.25 |
| 575 | 10.97 | 7.50 |
| 600 | 11.22 | 7.75 |
| 625 | 11.47 | 8.00 |
| 650 | 11.72 | 8.25 |
| 675 | 11.97 | 8.50 |
| 700 | 12.22 | 8.75 |
| 800 | 13.22 | 9.75 |

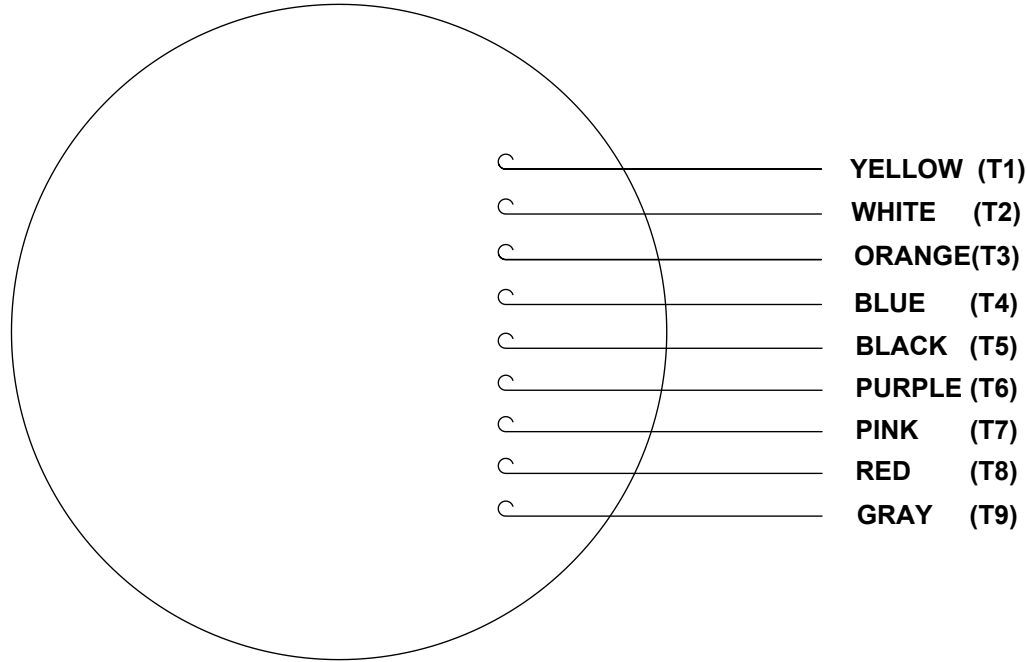
| | | |
|---|--------------------------|---------------------------|
| DRAWING REVISION C | REVISION BY AS | DATE 06/01/2017 |
| ECO ECO-0119080 | APPROVED BY JD | DATE 06/01/2017 |
| ECO DESCRIPTION ADDED ITEM #800 | | |
| <small>COPYRIGHT REGAL BELOIT AMERICA, INC. ALL RIGHTS RESERVED. PROPRIETARY AND CONFIDENTIAL INFORMATION - THIS DOCUMENT IS THE PROPERTY OF REGAL BELOIT AMERICA, INC. ("OWNER") AND CONTAINS OWNER'S PROPRIETARY INFORMATION. ANY PERSON, CORPORATION OR OTHER FIRM RECEIVING IT IS DEEMED, BY RECEIVING IT, TO AGREE THAT IT, AND/OR ANY PART OF IT, SHALL NOT BE DISCLOSED TO ANY PERSON, CORPORATION OR OTHER ENTITY, DUPLICATED, AND/OR USED, EXCEPT AS EXPRESSLY APPROVED IN WRITING IN ADVANCE BY OWNER. THIS DOCUMENT SHALL BE RETURNED TO OWNER UPON REQUEST. IT MAY BE SUBJECT TO CERTAIN RESTRICTIONS UNDER APPLICABLE EXPORT CONTROL LAWS AND REGULATIONS.</small> | | |

| | | | |
|---|---------|-----------|---------|
| TOLERANCES UNLESS OTHERWISE SPECIFIED: | | | |
| DEC. | INCH | mm | ANGLE |
| .X | ±0.1 | [±2.5] | ±7° 30" |
| .XX | ±0.03 | [±0.76] | |
| .XXX | ±0.005 | [±0.127] | |
| .XXXX | ±0.0005 | [±0.0127] | |
| REMOVE BURRS & BREAK SHARP EDGES: .003/.015 [0.076/.381] X 45° CORNER FILLETS: R.02 [.51] MACHINED SURFACES: 200 INCH/mm 5.1 mm SHOWN IN [BRACKETS] | | | |

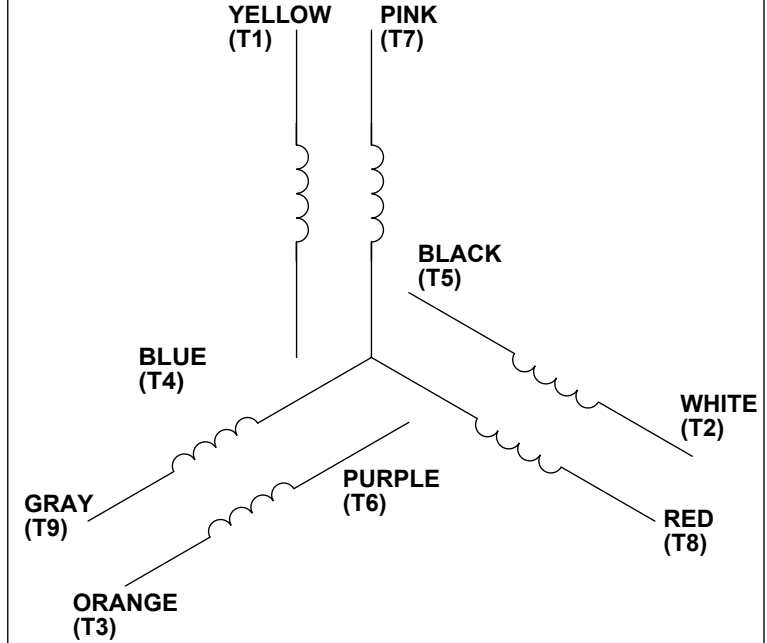
| |
|-------------------------------|
| DRAWN BY LST 9/4/09 |
| DATE |
| APPROVED BY |
| DATE |
| REFERENCE |
| THIRD ANGLE PROJECTION |

| | |
|--|------------------------|
| REGAL ™ Regal Beloit America, Inc. | |
| DESCRIPTION OUTLINE TENV "C" FACE | PROCESS/FINISH |
| MATERIAL | SIZE B |
| DRAWING NUMBER 028768 | SHEET 1 OF 1 |

VIEW FROM OUTSIDE OF MOTOR AT SWITCH END.



LINE LEADS



| VOLTAGE | L1 | L2 | L3 | JOIN & INSULATE |
|---------|-------|-------|-------|-------------------------------|
| HIGH | T1 | T2 | T3 | (T4,T7) (T5,T8) (T6,T9) |
| LOW | T1,T7 | T2,T8 | T3,T9 | T4,T5,T6 |

RBC PROPRIETARY AND CONFIDENTIAL INFORMATION
This document is the property of REGAL BELOIT CORPORATION ("RBC") including its subsidiaries and divisions and contains proprietary information of RBC. This document is loaned on the express condition that neither it nor the information contained therein shall be disclosed to others without the express written consent of RBC, and that the information shall be used by the recipient only as approved expressly by RBC. This document shall be returned to RBC upon its request. This document may be subject to certain restrictions under U.S. export control laws and regulations.

| | | |
|---|---------------------------|-------------------------|
| DRAWING REVISION C | REVISION BY PVR | DATE 04/23/14 |
| ECO ECO-0049985 | APPROVED BY JD | DATE 04/23/14 |
| ECO DESCRIPTION UPDATED PER ECO-0049985 | | |
| <small>COPYRIGHT REGAL BELOIT AMERICA, INC. ALL RIGHTS RESERVED. PROPRIETARY AND CONFIDENTIAL INFORMATION - THIS DOCUMENT IS THE PROPERTY OF REGAL BELOIT AMERICA, INC. ("OWNER") AND CONTAINS OWNER'S PROPRIETARY INFORMATION. ANY PERSON, CORPORATION OR OTHER FIRM RECEIVING IT IS DEEMED, BY RECEIVING IT, TO AGREE THAT IT, AND/OR ANY PART OF IT, SHALL NOT BE DISCLOSED TO ANY PERSON, CORPORATION OR OTHER ENTITY, DUPLICATED, AND/OR USED, EXCEPT AS EXPRESSLY APPROVED IN WRITING IN ADVANCE BY OWNER. THIS DOCUMENT SHALL BE RETURNED TO OWNER UPON REQUEST. IT MAY BE SUBJECT TO CERTAIN RESTRICTIONS UNDER APPLICABLE EXPORT CONTROL LAWS AND REGULATIONS.</small> | | |

| | | | |
|--|---------|-----------|-------|
| TOLERANCES UNLESS OTHERWISE SPECIFIED: | | | |
| DEC. | INCH | mm | ANGLE |
| .X | ±0.1 | [±2.5] | ±0.5° |
| .XX | ±0.01 | [±0.25] | |
| .XXX | ±0.005 | [±0.127] | |
| .XXXX | ±0.0005 | [±0.0127] | |
| REMOVE BURRS & BREAK SHARP | | | |
| EDGES: .003/.015 [.076/.381] | | | |
| CORNER FILLETS: .02 [.51] | | | |
| MACHINED SURFACES: 125/3.2 | | | |
| INCH mm | | | |
| mm SHOWN IN [BRACKETS] | | | |

| |
|------------------------|
| DRAWN BY LST |
| DATE 4/3/14 |
| APPROVED BY |
| DATE |
| PROCESS/FINISH |
| THIRD ANGLE PROJECTION |

Regal Beloit America, Inc.

| | |
|--|-----------------------------------|
| DESCRIPTION LEAD ASSY EXT. WIRING DIA. 3 PH. W/O PROT. | MATERIAL |
| SIZE A | DRAWING NUMBER 00501052 |
| SHEET 1 OF 1 | |



1051 CHEYENNE AVE.
GRAFTON, WI 53024
PH. 262-377-8810

CERTIFICATION DATA SHEET

CATALOG #: 117127.00

CONN. DIAGRAM: 005010.52

OUTLINE: 028768-575

MOUNTING: F1 ONLY

WINDING #: T634250 NR 8 A

TYPICAL MOTOR PERFORMANCE DATA

| HP | kW | SYNC. RPM | F.L. RPM | FRAME | ENCLOSURE | KVA CODE | DESIGN |
|---------|-----------|-----------|-----------|-------|-----------|----------|--------|
| 1/2&1/3 | 0.37&0.25 | 1800 | 1725&1425 | 56C | TENV | K | B |

| PH | Hz | VOLTS | AMPS | START TYPE | DUTY | INSL | S.F. | AMB°C |
|----|-------|---------------------|-------------------|-----------------|------------|------|-----------|-------|
| 3 | 60/50 | 208-230/460&190/380 | 1.7-1.6/.8&1.4/.7 | ACROSS THE LINE | CONTINUOUS | F4 | 1.15/1.15 | 40 |

| FULL LOAD EFF: | 78.5&80 | 3/4 LOAD EFF: | 77.2 | 1/2 LOAD EFF: | 72.1 | GTD. EFF | | ELEC. TYPE | |
|----------------|---------|---------------|------|---------------|------|----------|--|-----------------|--|
| FULL LOAD PF: | 73.6&70 | 3/4 LOAD PF: | 66.7 | 1/2 LOAD PF: | 55.7 | 0 | | SQ CAGE IND RUN | |

| F.L. TORQUE | LOCKED ROTOR AMPS | L.R. TORQUE | B.D. TORQUE | F.L. RISE°C |
|-------------|-------------------|------------------|----------------|-------------|
| 24 OZ-FT | 11.2 / 5.6 | 84.8 OZ-FT 353 % | 96 OZ-FT 400 % | 69 |

| SOUND PRESSURE @ 3 FT. | SOUND POWER | ROTOR WK^2 | MAX. WK^2 | SAFE STALL TIME | STARTS / HOUR | APPROX. MOTOR WGT |
|------------------------|-------------|--------------|-------------|-----------------|---------------|-------------------|
| 0 dBA | 10 dBA | 0.09 LB-FT^2 | 0.1 LB-FT^2 | 10 SEC. | 0 | 0 LBS. |

*** SUPPLEMENTAL INFORMATION ***

| DE BRACKET TYPE | ODE BRACKET TYPE | MOUNT TYPE | ORIENTATION | SEVERE DUTY | HAZARDOUS LOCATION | DRIP COVER | SCREENS | PAINT |
|-----------------|------------------|------------|-------------|-------------|--------------------|------------|---------|----------|
| C-FACE | STANDARD | ROUND | HORIZONTAL | FALSE | NONE | FALSE | NONE | NO PAINT |

| BEARINGS | | GREASE | SHAFT TYPE | SPECIAL DE | SPECIAL ODE | SHAFT MATERIAL | FRAME MATERIAL |
|----------|------|------------|-------------|------------|-------------|-----------------------|----------------|
| DE | ODE | | | | | | |
| BALL | BALL | POLYREX EM | STANDARD 56 | NONE | NONE | 303 STAINLESS (C-501) | ROLLED STEEL |
| 6205 | 6205 | | | | | | |

| THERMO-PROTECTORS | | | | THERMISTORS | CONTROL | SPACE HEATERS |
|-------------------|------------|----------|----------|-------------|---------|---------------|
| THERMOSTATS | PROTECTORS | WDG RTDs | BRG RTDs | | | |
| NONE | NOT | NONE | NONE | NONE | FALSE | NONE VOLTS |

*
N
O
T
E
S

| |
|----------------------------------|
| INVERTER TORQUE: NONE |
| INV. HP SPEED RANGE: NONE |
| ENCODER: NONE |
| NONE NONE |
| NONE NONE PPR |
| BRAKE: NONE NONE |
| NONE P/N NONE |
| NONE NONE |
| NONE FT-LB NONE V NONE Hz |

Data Sheet

Date: 1/17/2018

117127.00



Data @ 460 V

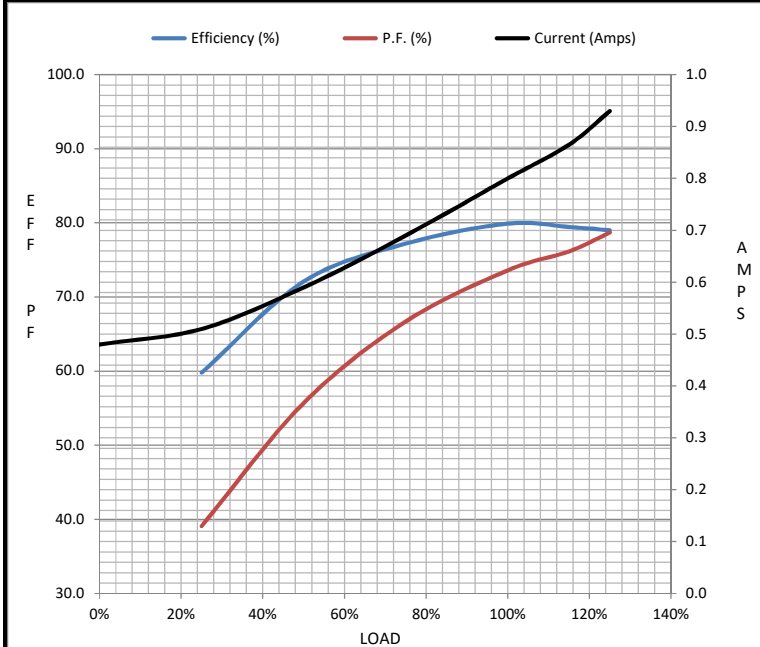
Motor Load Data

| Load | 0% | 25% | 50% | 75% | 100% | 115% | 125% | LR |
|----------------|------|------|------|------|------|-------|------|-------|
| Current (Amps) | 0.48 | 0.51 | 0.59 | 0.69 | 0.80 | 0.87 | 0.93 | 5.6 |
| Torque (ft-lb) | 0.00 | 95.7 | 191 | 287 | 383 | 6,875 | 479 | 1,353 |
| RPM | 1800 | 1785 | 1772 | 1759 | 1746 | 1,739 | 1729 | 0 |
| Efficiency (%) | | 59.8 | 72.1 | 77.2 | 79.9 | 79.5 | 79.0 | |
| P.F. (%) | 16.1 | 39.1 | 55.7 | 66.7 | 73.6 | 76.2 | 78.7 | 0.0 |

Motor Speed Data

| | LR | Pull-Up | BD | Rated | Idle |
|----------------|-------|---------|-------|-------|------|
| Speed (RPM) | 0 | 900 | 1656 | 1746 | 1800 |
| Current (Amps) | 5.6 | 5.2 | 3.4 | 0.80 | 0.48 |
| Torque (ft-lb) | 1,353 | 1,243 | 1,532 | 383 | 0.00 |

| Information Block | | | | |
|-----------------------------|-------------------------|--------|--------|--------|
| HP | 0.5 | | | |
| Sync. RPM | 1800 | | | |
| Frame | 56 | | | |
| Enclosure | TENV | | | |
| Construction | NA | | | |
| Voltage | 208-230/460#190/380 V | | | |
| Frequency | 60 Hz | | | |
| Design | B | | | |
| LR Code letter | K | | | |
| Service Factor | 1.15 | | | |
| Temp Rise @ FL | 69 °C | | | |
| Duty | CONT | | | |
| Ambient | 40 °C | | | |
| Elevation | 1,000 feet | | | |
| Rotor/Shaft wk ² | 0.09 Lb-Ft ² | | | |
| Ref Wdg | T634250 NR | | | |
| Sound Pressure @ 1M | 0 dBA | | | |
| VFD Rating | NONE | | | |
| Outline Dwg | 028768-575 | | | |
| Conn. Diag | 005010.52 | | | |
| Additional Specifications: | | | | |
| 0 | | | | |
| 0 | | | | |
| EQUIV CKT (OHMS / PHASE) | | | | |
| R1 | R2 | X1 | X2 | Xm |
| 0.0000 | 0.0000 | 0.0000 | 0.0000 | 0.0000 |



Speed - Torque Curve

