

# PRODUCT INFORMATION PACKET



Model No: 114160.00  
Catalog No: 114160.00  
0.75 HP Brake Motor, 3 phase, 1800 RPM, 208-230/460 V, 56C Frame, TEFC  
NEMA Definite Purpose AC Brake Motors



Regal and Leeson are trademarks of Regal Beloit Corporation or one of its affiliated companies.  
©2021 Regal Beloit Corporation, All Rights Reserved. MC017097E





### Nameplate Specifications

Output HP	0.75 Hp	Output KW	0.56 kW
Frequency	60 Hz	Voltage	208-230/460 V
Current	2.8/1.4 A	Speed	1725 rpm
Service Factor	1.15	Phase	3
Efficiency	77 %	Power Factor	65
Duty	Continuous	Insulation Class	B
Design Code	B	KVA Code	K
Frame	56C	Enclosure	Totally Enclosed Fan Cooled
Thermal Protection	No	Ambient Temperature	40 °C
Drive End Bearing Size	6203	Opp Drive End Bearing Size	6203
UL	Recognized	CSA	Y
CE	N	IP Code	54

### Technical Specifications

Electrical Type	Squirrel Cage Induction Run	Starting Method	Across The Line
Poles	4	Rotation	Reversible
Resistance Main	26.24 Ohms	Mounting	Round
Motor Orientation	Horizontal	Drive End Bearing	Ball
Opp Drive End Bearing	Ball	Frame Material	Rolled Steel
Shaft Type	NEMA 56	Overall Length	15.31 in
Frame Length	5.00 in	Shaft Diameter	0.625 in
Shaft Extension	1.88 in	Assembly/Box Mounting	F1 ONLY
Connection Drawing	005010.15	Outline Drawing	028822-500

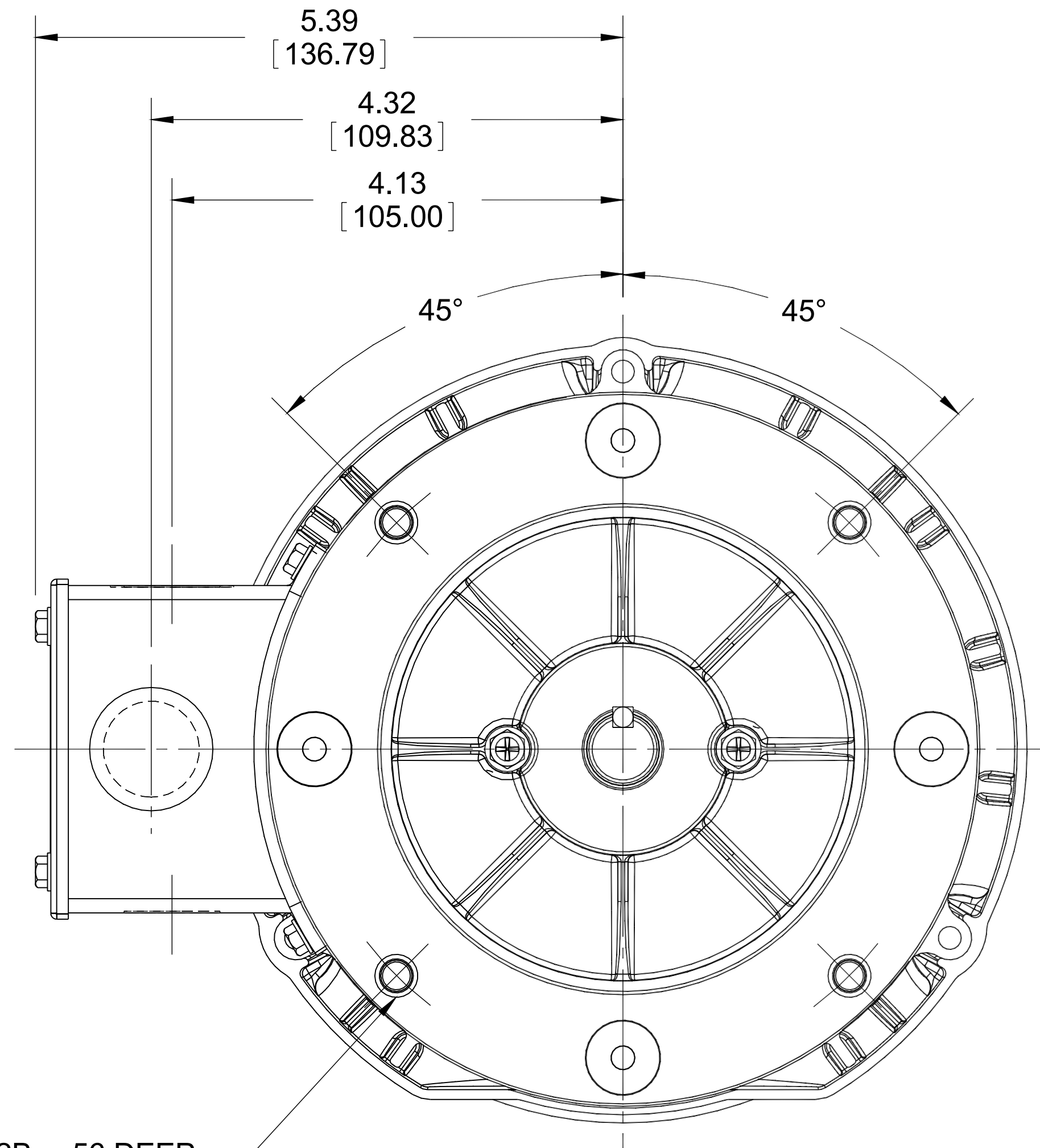
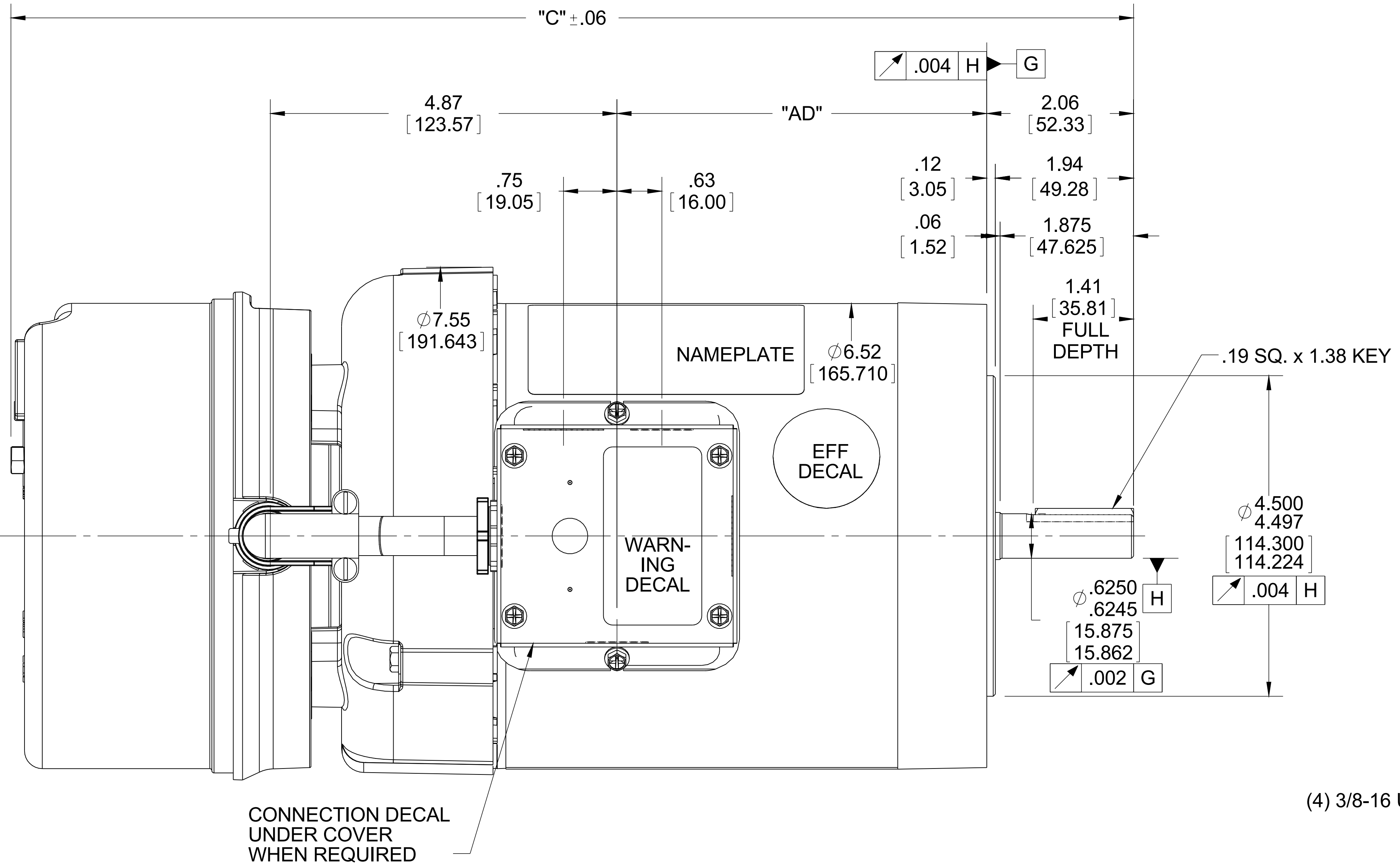
This is an uncontrolled document once printed or downloaded and is subject to change without notice. Date Created:05/01/2021

4

3

2

1



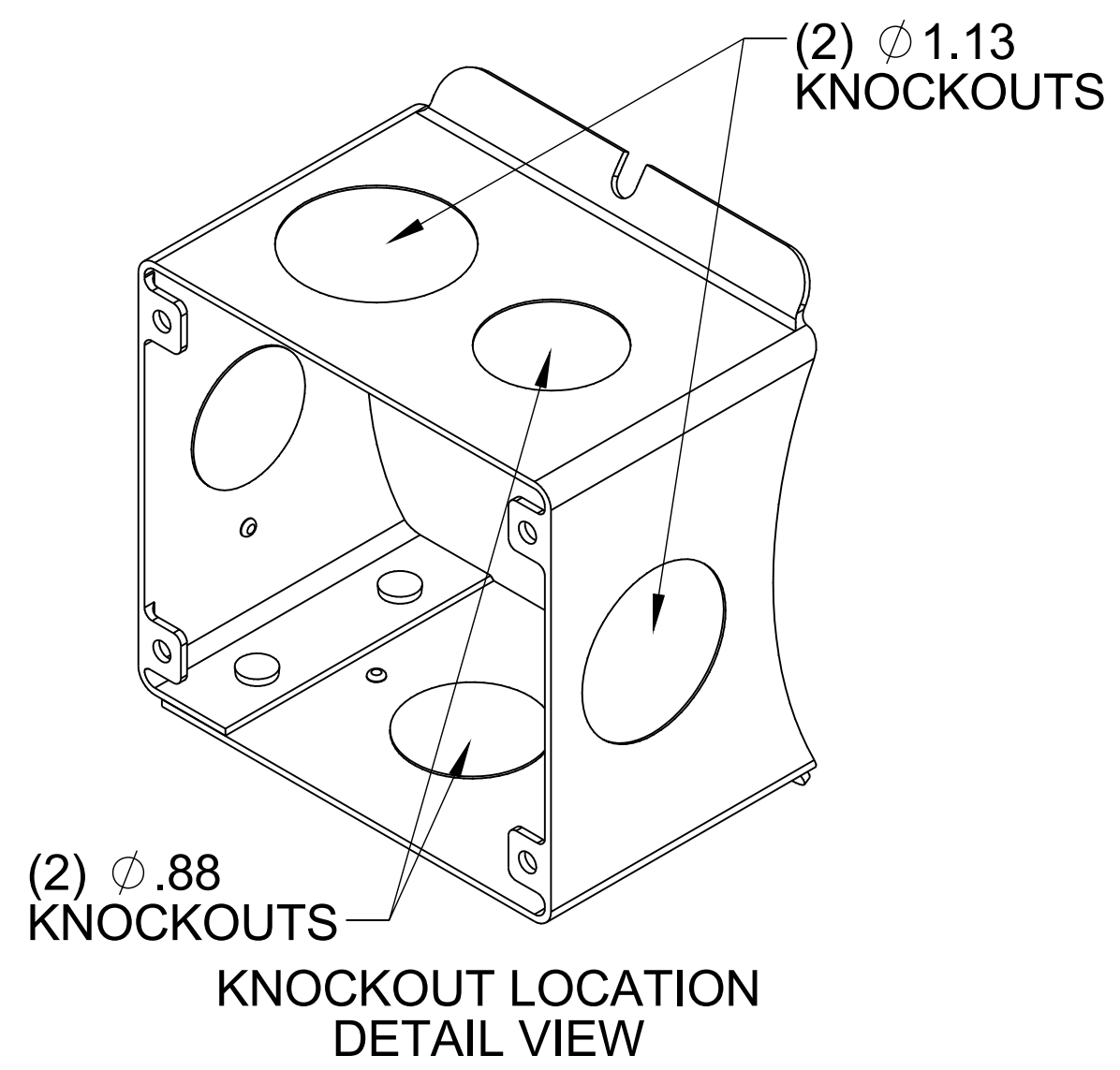
(4) 3/8-16 UNC-2B x .56 DEEP ON A Ø 5.875 B.C.

B

B

A

A



NOTE:  
1) GASKETS THROUGHOUT

DASH NO.	"C"	"AD"
500	15.31	4.69
550	15.81	5.19
600	13.31	5.69
650	13.81	6.19
700	17.31	6.69
750	17.81	7.19

DRAWING REVISION C	REVISION BY CHRIS FISHER	DATE 11/9/2015	TOLERANCES UNLESS OTHERWISE SPECIFIED: DEC. INCH mm ANGLE .X ±0.1 [±2.5] .XX ±0.01 [±0.25] .XXX ±0.005 [±0.127] .XXXX ±0.0005 [±0.0127] REMOVE BURRS & BREAK SHARP EDGES: .003/.015 [0.076/.381] X 45° CORNER FILLETS: R.02 [0.51] MACHINED SURFACES: 125 3.2 INCH mm mm SHOWN IN [BRACKETS]	DRAWN BY JKJ 03/28/08	<b>REGAL</b> ™ Regal Beloit America, Inc.		
ECO ECO-0088307	APPROVED BY	DATE		DATE			
ECO DESCRIPTION ADDED ITEM #750 COPYRIGHT REGAL BELOIT AMERICA, INC. ALL RIGHTS RESERVED. PROPRIETARY AND CONFIDENTIAL INFORMATION - THIS DOCUMENT IS THE PROPERTY OF REGAL BELOIT AMERICA, INC. ("OWNER") AND CONTAINS OWNER'S PROPRIETARY INFORMATION. ANY PERSON, CORPORATION OR OTHER FIRM RECEIVING IT IS DEEMED, BY RECEIVING IT, TO AGREE THAT IT, AND/OR ANY PART OF IT, SHALL NOT BE DISCLOSED TO ANY PERSON, CORPORATION OR OTHER ENTITY, DUPLICATED, AND/OR USED, EXCEPT AS EXPRESSLY APPROVED IN WRITING IN ADVANCE BY OWNER. THIS DOCUMENT SHALL BE RETURNED TO OWNER UPON REQUEST. IT MAY BE SUBJECT TO CERTAIN RESTRICTIONS UNDER APPLICABLE EXPORT CONTROL LAWS AND REGULATIONS.				APPROVED BY	DESCRIPTION <b>OUTLINE</b> TEFC - "C" FACE - BRAKEMOTOR		
				REFERENCE	MATERIAL	PROCESS/FINISH	
				THIRD ANGLE PROJECTION	SIZE B	DRAWING NUMBER <b>028822</b>	SHEET 1 OF 1

4

3

2

1

VIEW FROM OUTSIDE OF MOTOR AT SWITCH END.

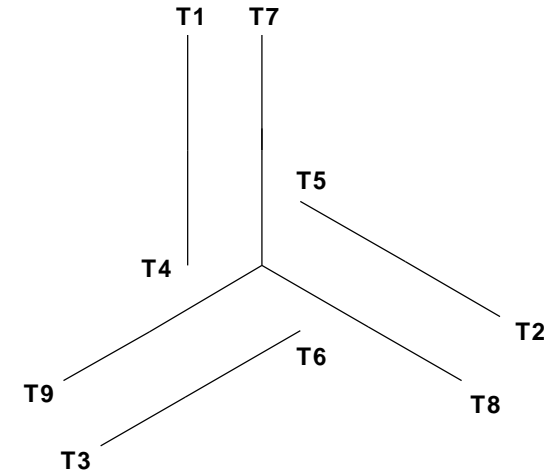


**CAUTION:**  
LEAD WIRE INSULATION TO EXTEND  
MINIMUM OF 1/4" INTO CONNECTOR  
INSULATION

SEE TABLE FOR  
 BRAKE CONNECTIONS

REF. DECAL (MOTOR) - 004014  
 REF. DECAL (BRAKE) - 080034 (STEARNS & DINGS BRAKE)

**LINE LEADS**



VOLTAGE	L1	L2	L3	JOIN & INSULATE
HIGH	T1	T2	T3	(T4, T7) (T5, T8) (T6, T9)
LOW	T1, T7	T2, T8	T3, T9	T4, T5, T6

RBC PROPRIETARY AND CONFIDENTIAL INFORMATION  
 This document is the property of REGAL BELOIT CORPORATION ("RBC") including its subsidiaries and divisions and contains proprietary information of RBC. This document is loaned on the express condition that neither it nor the information contained therein shall be disclosed to others without the express written consent of RBC, and that the information shall be used by the recipient only as approved expressly by RBC. This document shall be returned to RBC upon its request. This document may be subject to certain restrictions under U.S. export control laws and regulations.

**TYPE "T" W/O PROTECTOR**

VOLTAGE	STEARNS BRAKE			DINGS BRAKE		
	L1	L2	Join	L1	L2	Join
HIGH	1(REDF)	2(REDF)	3(BLACK) 4(BLACK)	2(BLACK)	4(YELLOW)	1(YELLOW) 3(BLACK)
LOW	1(REDF) 3(BLACK)	2(REDF) 4(BLACK)	-----	2(BLACK) 3(BLACK)	1(YELLOW) 4(YELLOW)	-----

				TOLERANCES UNLESS SPECIFIED		ELECTRIC MOTORS GEARMOTORS AND DRIVES	DRAWN JJK 09/17/96	
				DEC	INCHES		CHK	
				.X	±.1	APPR		
				.XX	±.01	SCALE 1:1		
--	REDRAWN IN SOLIDWORKS	VJB 02/08/11	.XXX	±.005	TITLE EXTERNAL WIRING DIAGRAM STANDARD 3 PHASE - DUAL VOLTAGE		REF 005010-01	
01	ADDED DINGS AND BRAKE TABLE (PER CN114156)	TMZ 11/12/96	.XXXX	±.0005	MAT'L W/STEARNS OR DINGS DUAL VOLTAGE BRAKE CONN.		FMF	
NO	REVISION	BY & DATE	CHK	ANG	±1/2°	FINISH LEESON STOCK		PAGE OF
THIRD ANGLE PROJECTION				RFP	PREV	SIZE	DRAWING NO	REV
				NETWORK FILE NAME 00501015		A	005010-15	--