

PRODUCT INFORMATION PACKET



Model No: 112615.00
Catalog No: 112615.00
1 HP Auger Drive Motor, 1 phase, 1800 RPM, 115/230 V, 56 Frame, TEFC
Auger Drive Motors



Regal and Leeson are trademarks of Regal Rexnord Corporation or one of its affiliated companies.
©2021 Regal Rexnord Corporation, All Rights Reserved. MC017097E





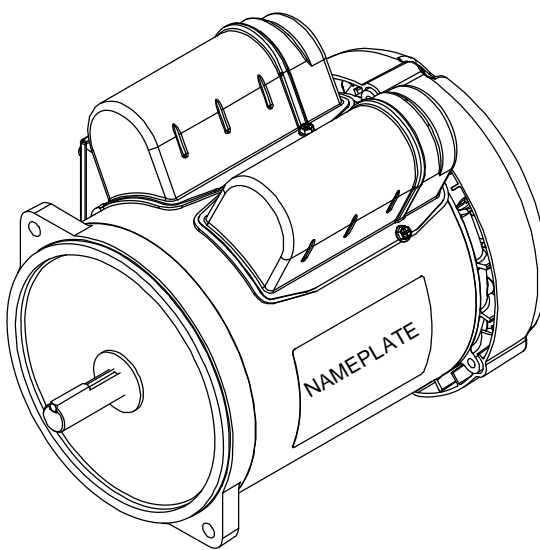
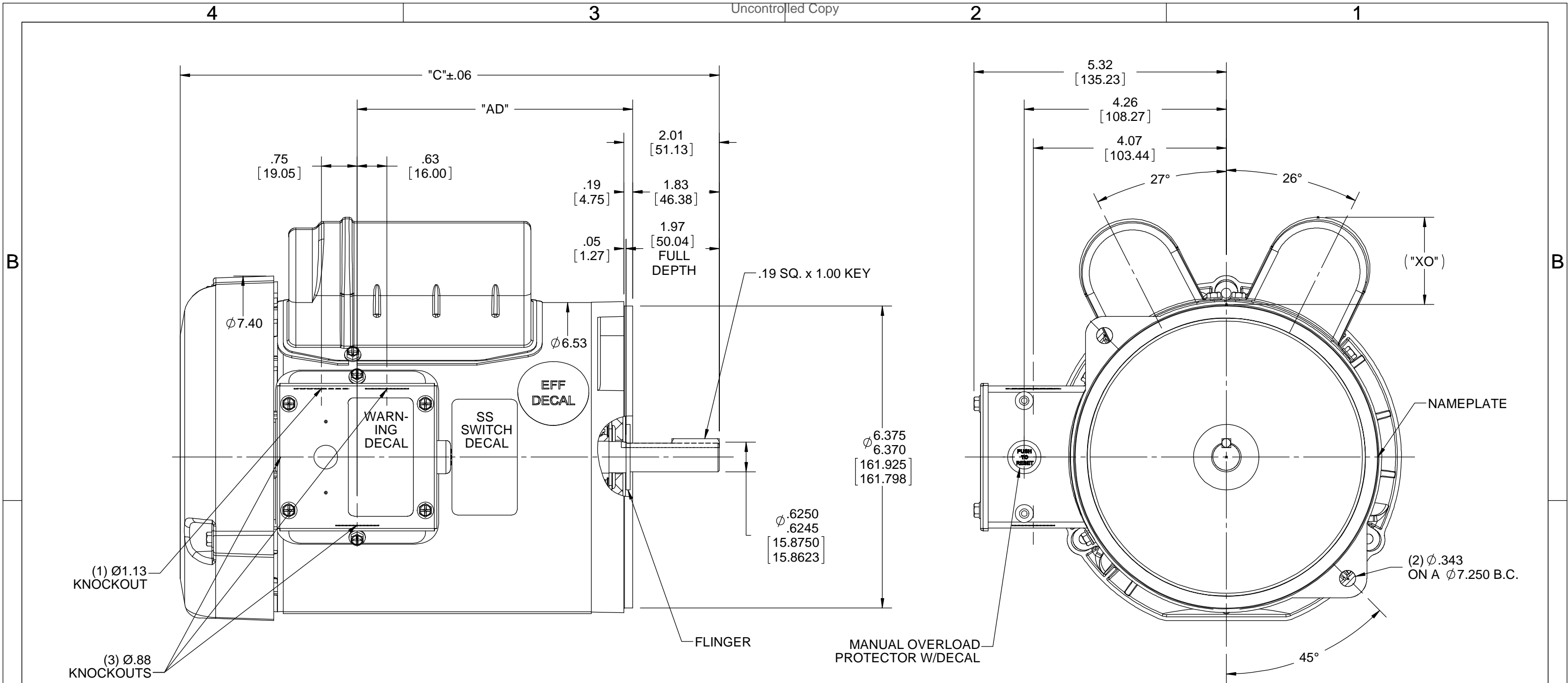
Nameplate Specifications

Output HP	1 Hp	Output KW	0.75 kW
Frequency	60 Hz	Voltage	115/230 V
Current	14.0/7.0 A	Speed	1725 rpm
Service Factor	1	Phase	1
Efficiency	74 %	Power Factor	63
Duty	Continuous	Insulation Class	F
Design Code	N	KVA Code	K
Frame	56	Enclosure	Totally Enclosed Fan Cooled
Thermal Protection	Manual	Ambient Temperature	40 °C
Drive End Bearing Size	6203	Opp Drive End Bearing Size	6203
UL	Recognized	CSA	Y
CE	N	IP Code	54
Number of Speeds	1		

Technical Specifications

Electrical Type	Capacitor Start Induction Run	Starting Method	Across The Line
Poles	4	Rotation	Selective Counterclockwise
Resistance Main	1.8 Ohms	Mounting	Round
Motor Orientation	Horizontal	Drive End Bearing	Ball
Opp Drive End Bearing	Ball	Frame Material	Rolled Steel
Shaft Type	NEMA 56	Overall Length	11.27 in
Frame Length	6.50 in	Shaft Diameter	0.625 in
Shaft Extension	1.88 in	Assembly/Box Mounting	F1 ONLY
Outline Drawing	028817-650	Connection Drawing	005242.02

This is an uncontrolled document once printed or downloaded and is subject to change without notice. Date Created:10/07/2021



DASH NO.	"C"	"AD"	CAP DASH	"XO"
650	11.27	5.81		
700	11.77	6.31	A	1.15
750	12.27	6.81	B	1.60
800	12.77	7.31	C	1.82
850	13.27	7.81		

NOTE:
1) GASKETS THROUGHOUT

ORACLE REV.
002

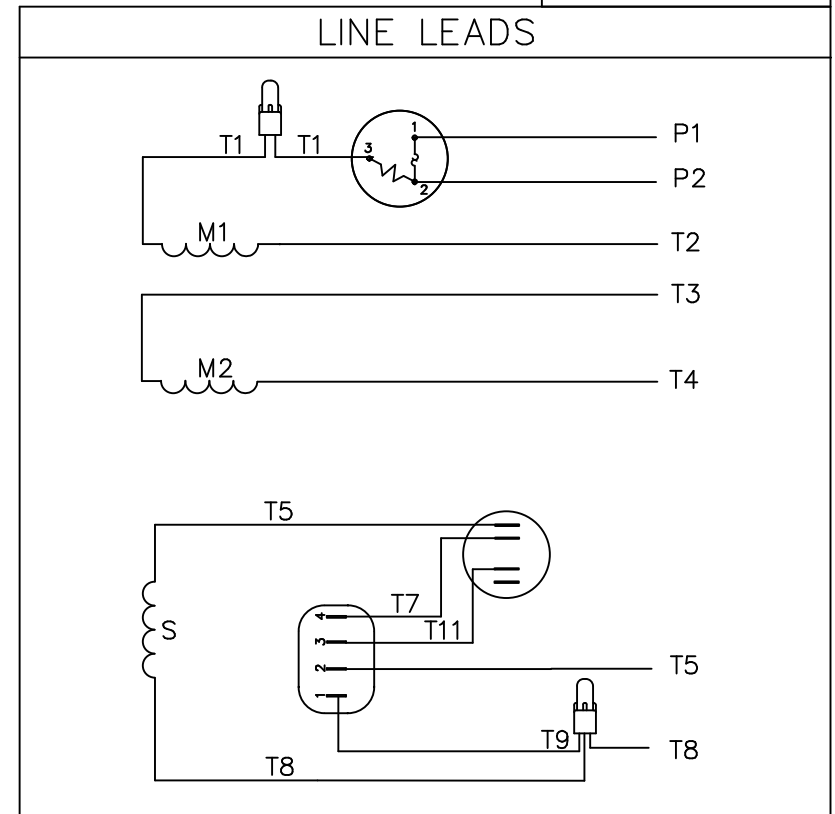
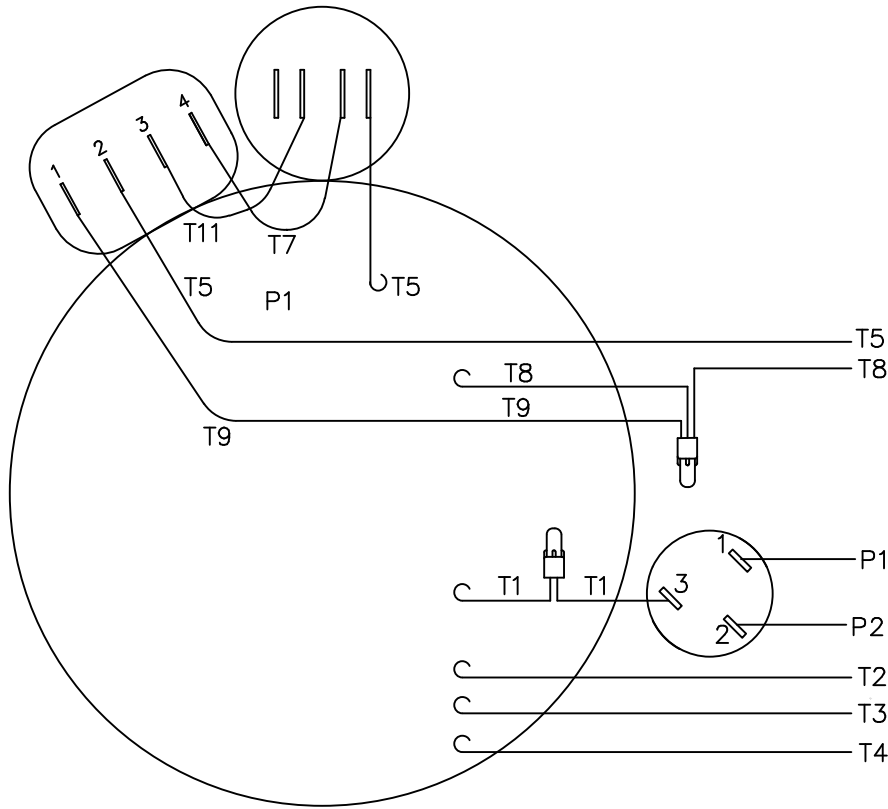
DRAWING REVISION C	REVISION BY DS	DATE 02/21/2018
ECO ECO-0140221	APPROVED BY AS	DATE 02/21/2018
ECO DESCRIPTION ITEM # 650 ADDED		
<small>COPYRIGHT REGAL BELOIT AMERICA, INC. ALL RIGHTS RESERVED. PROPRIETARY AND CONFIDENTIAL INFORMATION - THIS DOCUMENT IS THE PROPERTY OF REGAL BELOIT AMERICA, INC. ("OWNER") AND CONTAINS OWNER'S PROPRIETARY INFORMATION. ANY PERSON, CORPORATION OR OTHER FIRM RECEIVING IT IS DEEMED, BY RECEIVING IT, TO AGREE THAT IT, AND/OR ANY PART OF IT, SHALL NOT BE DISCLOSED TO ANY PERSON, CORPORATION OR OTHER ENTITY, DUPLICATED, AND/OR USED, EXCEPT AS EXPRESSLY APPROVED IN WRITING IN ADVANCE BY OWNER. THIS DOCUMENT SHALL BE RETURNED TO OWNER UPON REQUEST. IT MAY BE SUBJECT TO CERTAIN RESTRICTIONS UNDER APPLICABLE EXPORT CONTROL LAWS AND REGULATIONS.</small>		

TOLERANCES UNLESS OTHERWISE SPECIFIED:			
DEC.	INCH	mm	ANGLE
.X	±0.1	[±2.5]	±0.5°
.XX	±0.01	[±0.25]	
.XXX	±0.005	[±0.127]	
.XXXX	±0.0005	[±0.0127]	
REMOVE BURRS & BREAK SHARP EDGES: .003/.015 [0.076/.381] X 45° CORNER FILLETS: R.02 [0.51]			
MACHINED SURFACES: 125 INCH 3.2 mm			
mm SHOWN IN [BRACKETS]			

DRAWN BY JKK 03/28/08	REGAL™ Regal Beloit America, Inc.	
DATE	DESCRIPTION OUTLINE TEFC - OIL BURNER FLANGE	
APPROVED BY	MATERIAL	PROCESS/FINISH
DATE	SIZE B	DRAWING NUMBER 028817
REFERENCE	SHEET 1 OF 1	
THIRD ANGLE PROJECTION		

VIEW FROM OUTSIDE OF MOTOR AT SWITCH END.

005242-02



	ROTATION FACING LEAD END	L1	L2	JOIN	INSULATE SEPARATELY
HIGH VOLT	C.C.W.	P1	T4 T5	T2 T3, T8	P2
	C.W.	P1	T4 T8	T2 T3, T5	P2
LOW VOLT	C.C.W.	P1	T2, T4 T5	P2 T3, T8	--
	C.W.	P1	T2, T4 T8	P2 T3, T5	--

			TOLERANCES UNLESS OTHERWISE SPECIFIED			LEESON ELECTRIC CORPORATION			
			DEC.	INCHES	METRIC				
05	REMOVED OPTIONAL PRESSURE CONNECTOR	ARV 2/25/08	.X	±	±	DRAWN PG 10/27/86	TITLE EXTERNAL WIRING DIAGRAM TYPE "C" W/ PROTECTOR		
04	REVISED TO OPTIONAL PRESSURE CONNECTOR	PG 9/14/01	.XX	±	±	APPR.			
03	UPDATED TO CURRENT STANDARDS	DBT 8/13/97	.XXX	±	±	R.F.P.	MAT'L. DECAL - 004011 SOLID STATE SWITCH		
NO.	REVISION	BY & DATE	CH'K'D.	.XXXX	±	SCALE 1=1			
THIS DRAWING IN DESIGN AND DETAIL IS OUR PROPERTY AND MUST NOT BE USED EXCEPT IN CONNECTION WITH OUR WORK ALL RIGHTS OF DESIGN AND INVENTION ARE RESERVED THIS IS AN ELECTRONICALLY GENERATED DOCUMENT - DO NOT SCALE THIS PRINT			FRACTIONS	±		REF. PAGE 1	FINISH KANSAS	REV. 05	DRAWING NO. 005242-02
			ANGLES	±		FMF 101120	STANDARD		



CERTIFICATION DATA SHEET

**1051 CHEYENNE AVE.
GRAFTON, WI 53024
PH. 262-377-8810**

CONN. DIAGRAM: 005242.02

CATALOG #: 112615.00

OUTLINE: 028817-650

MOUNTING: F1 ONLY

WINDING #: C634259 FR 3 C

TYPICAL MOTOR PERFORMANCE DATA

HP	kW	SYNC. RPM	F.L. RPM	FRAME	ENCLOSURE	KVA CODE	DESIGN
1	0.75	1800	1725	56	TEFC	K	N

PH	Hz	VOLTS	AMPS	START TYPE	DUTY	INSL	S.F.	AMB°C
1	60	115/230	14/7	ACROSS THE LINE	CONTINUOUS	F4	1.0	40

FULL LOAD EFF:	74	3/4 LOAD EFF:	67.8	1/2 LOAD EFF:	61.6	GTD. EFF		ELEC. TYPE	
FULL LOAD PF:	63	3/4 LOAD PF:	57.8	1/2 LOAD PF:	46.9	70		CAP START IND RUN	

F.L. TORQUE	LOCKED ROTOR AMPS	L.R. TORQUE	B.D. TORQUE	F.L. RISE°C
48.16 OZ-FT	74.6 / 37.3	141.8 OZ-FT 294 %	132.6 OZ-FT 275 %	88.6

SOUND PRESSURE @ 3 FT.	SOUND POWER	ROTOR WK^2	MAX. WK^2	SAFE STALL TIME	STARTS / HOUR	APPROX. MOTOR WGT
0 dBA	10 dBA	0.099 LB-FT^2	0 LB-FT^2	10 SEC.	0	38 LBS.

***** SUPPLEMENTAL INFORMATION *****

DE BRACKET TYPE	ODE BRACKET TYPE	MOUNT TYPE	ORIENTATION	SEVERE DUTY	HAZARDOUS LOCATION	DRIP COVER	SCREENS	PAINT
OIL BURNER	STANDARD	ROUND	HORIZONTAL	FALSE	NONE	FALSE	NONE	BLUE - LEESON (ENAMEL)

BEARINGS		GREASE	SHAFT TYPE	SPECIAL DE	SPECIAL ODE	SHAFT MATERIAL	FRAME MATERIAL
DE	ODE						
BALL	BALL	POLYREX EM	STANDARD 56	NONE	NONE	1144 STRESSPROOF (C-223)	ROLLED STEEL
6203	6203						

THERMO-PROTECTORS				THERMISTORS	CONTROL	SPACE HEATERS
THERMOSTATS	PROTECTORS	WDG RTDs	BRG RTDs			
NONE	MANUAL	NONE	NONE	NONE	FALSE	NONE VOLTS

*
N
O
T
E
S

INVERTER TORQUE: NONE
INV. HP SPEED RANGE: NONE
ENCODER: NONE
NONE NONE
NONE NONE PPR
BRAKE: NONE NONE
NONE P/N NONE
NONE NONE
NONE FT-LB NONE V NONE Hz



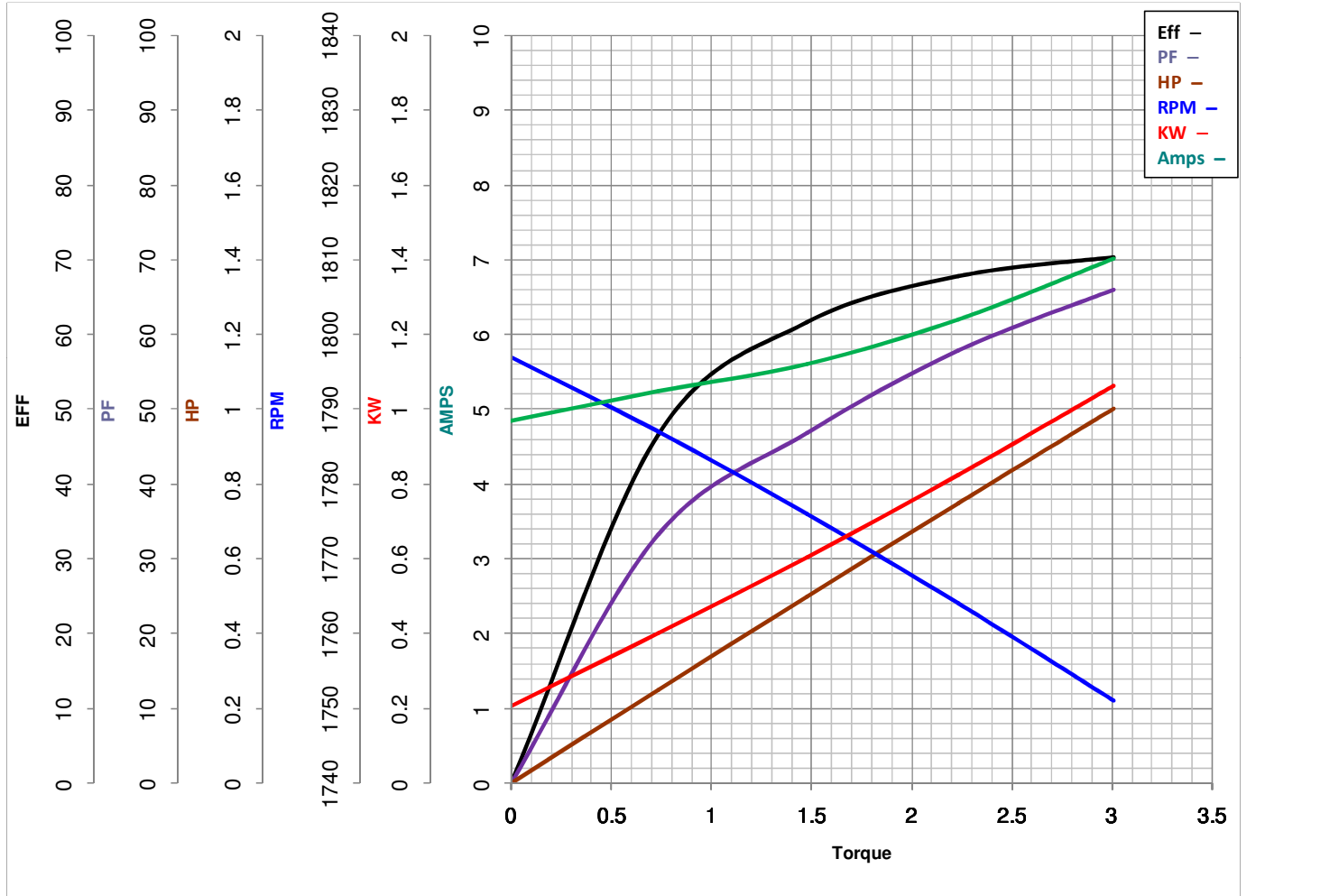
LEESON ELECTRIC CORPORATION
 TYPICAL PERFORMANCE CURVE for AC MOTOR

Model No 112615.00

Curve at 230 Volts HP 1.00 PHASE 1
60 HZ
1 HP VOLTS 115/230

Catalog No 112615.00

HZ 60 RPM 1725



Torque in Lb.Ft

FL TORQUE 3.01 Lb.Ft
 BD TORQUE 8.3 Lb.Ft
 LR TORQUE 8.863 Lb.Ft

FL AMPS 14.7
 PU TORQUE 7.4 Lb.Ft
 LR AMPS 37.3

WINDING C634259-3

Date 4/12/2018