

PRODUCT INFORMATION PACKET



Model No: 103794.00
Catalog No: 103794.00
0.33 HP Instant Reversing Motor, 1 phase, 1800 RPM, 115 V, 56 Frame, ODP
Instant Reversing Motors



Regal and Leeson are trademarks of Regal Rexnord Corporation or one of its affiliated companies.
©2021 Regal Rexnord Corporation, All Rights Reserved. MC017097E





Nameplate Specifications

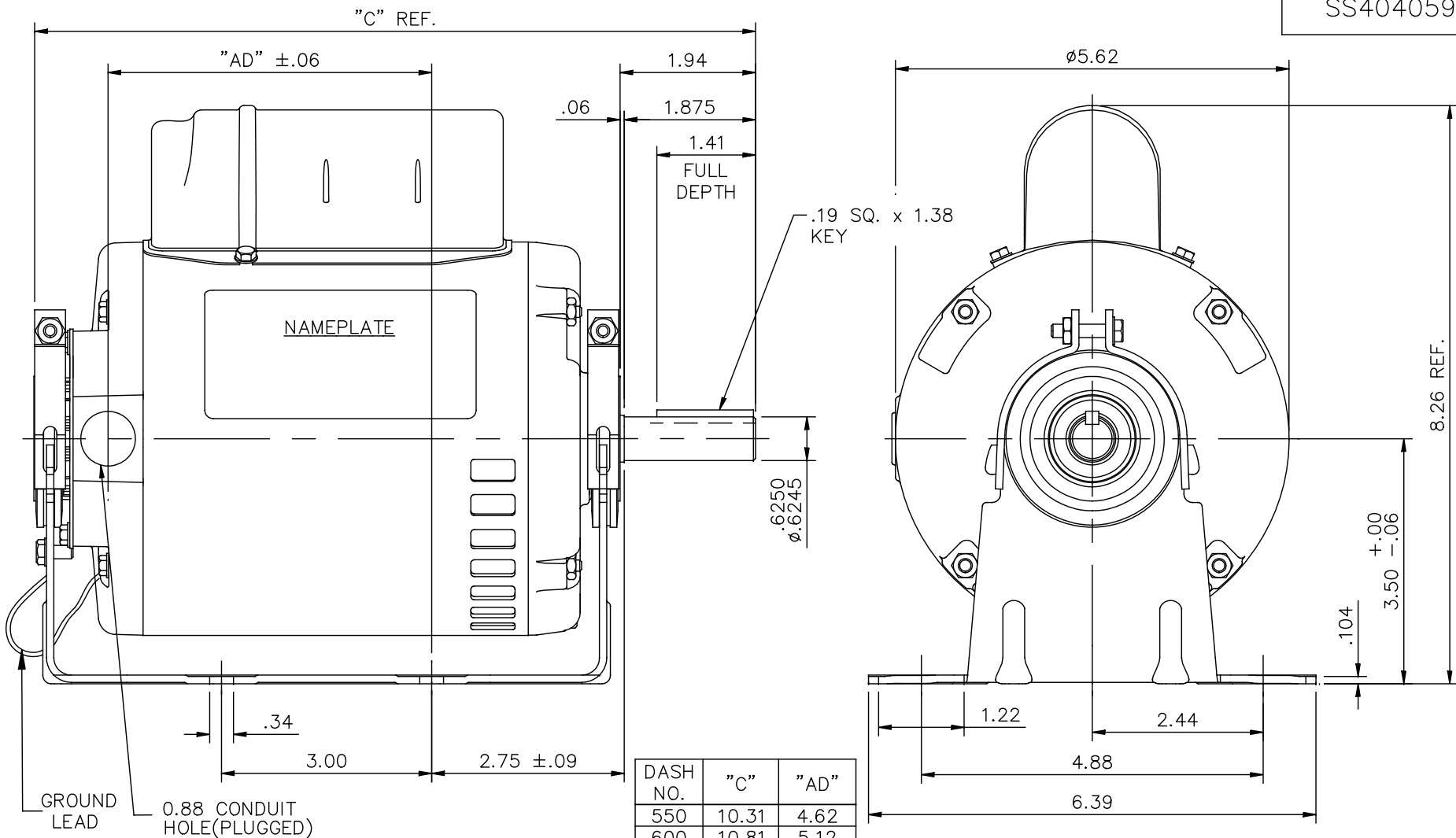
Output HP	0.33 Hp	Output KW	0.25 kW
Frequency	60 Hz	Voltage	115 V
Current	4.2 A	Speed	1625 rpm
Service Factor	1	Phase	1
Efficiency	53 %	Power Factor	96
Duty	60 Minute	Insulation Class	B
Design Code	N	KVA Code	A
Frame	S56	Enclosure	Drip Proof
Thermal Protection	Manual	Ambient Temperature	40 °C
Drive End Bearing Size	6203	Opp Drive End Bearing Size	6203
UL	Recognized	CSA	Y
CE	N	IP Code	12
Number of Speeds	1		

Technical Specifications


Electrical Type	Permanent Split Capacitor	Starting Method	Across The Line
Poles	4	Rotation	Selective Counterclockwise
Resistance Main	2.79 Ohms	Mounting	Resilient Base
Motor Orientation	Horizontal	Drive End Bearing	Ball
Opp Drive End Bearing	Ball	Frame Material	Rolled Steel
Shaft Type	NEMA 56	Overall Length	10.81 in
Frame Length	6.00 in	Shaft Diameter	0.625 in
Shaft Extension	1.88 in	Assembly/Box Mounting	F1 ONLY
Connection Drawing	A-005024-08	Outline Drawing	SS404059-600

This is an uncontrolled document once printed or downloaded and is subject to change without notice. Date Created:10/07/2021

SS404059

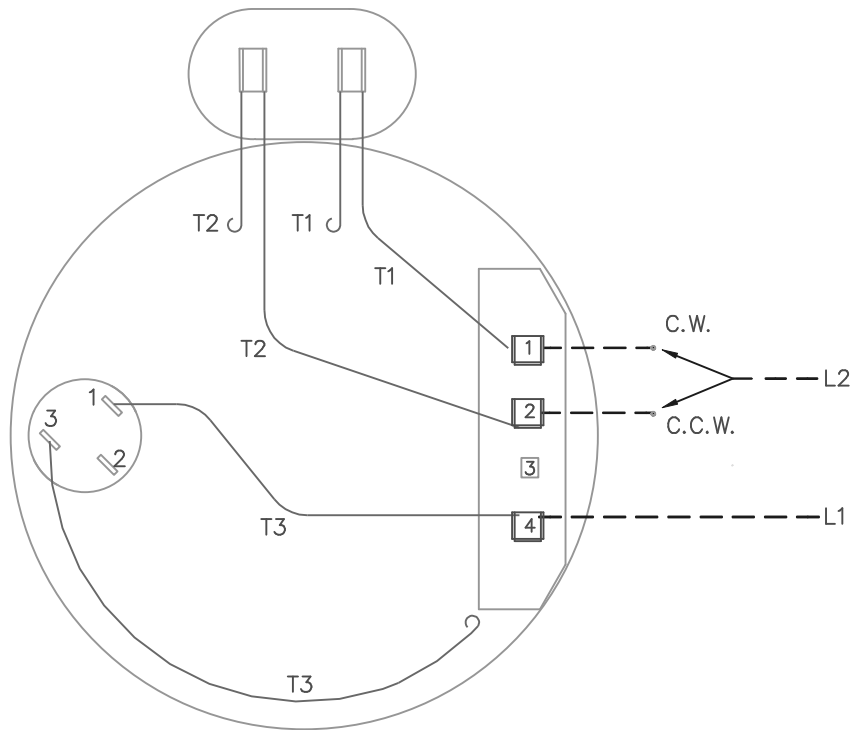


DASH NO.	"C"	"AD"
550	10.31	4.62
600	10.81	5.12
650	11.31	5.62
700	11.81	6.12

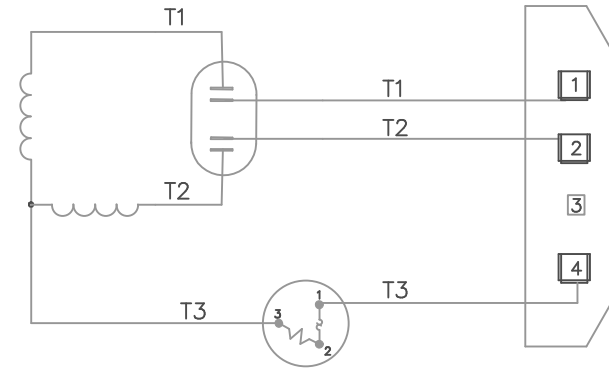
				TOLERANCES UNLESS SPECIFIED		 Regal Beloit America, Inc.		DRAWN PST 02/03/2014		
				DEC.	INCHES			CHK VS 02/03/2014		
				.X	±.1	TITLE OUTLINE – S56 FRAME RESILIENT MOUNT – DRIP PROOF		APPD		
				.XX	±.03			SCALE 1:1		
				.XXX	±.005			REF 031775		
B	ADDED GROUND LEAD	SL 04/19/2016	SM	.XXXX	±.0005	MAT'L. 1 PHASE		FMF 103821.00		
NO.	REVISION	BY & DATE	CHK	ANG	±1/2'	FINISH STANDARD		PREV		
THIS DRAWING IN DESIGN AND DETAIL IS OUR PROPERTY AND MUST NOT BE USED EXCEPT IN CONNECTION WITH OUR WORK ALL RIGHTS OF DESIGN AND INVENTION ARE RESERVED THIS IS AN ELECTRONICALLY GENERATED DOCUMENT – DO NOT SCALE THIS PRINT				RFP		CAD FILE SS404059		SIZE A	DRAWING NO. SS404059	REV. B
				DIST						

005024-08

VIEW FROM OUTSIDE OF MOTOR AT SWITCH END.

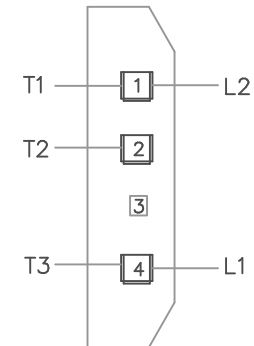
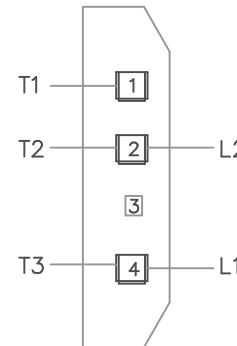


LINE LEADS



C.C.W. L.E.

C.W. L.E.



				TOLERANCES UNLESS OTHERWISE SPECIFIED		LEESON ELECTRIC CORPORATION			
				DECIMALS					
				.00	± .01	DRAWN DLL 11/30/82	TITLE EXTERNAL WIRING DIAGRAM		
				.000	± .005	CH'K'D. ADH 12/01/82	TYPE "P" W/PROTECTOR		
01	REDRAWN ON CAD	DBT	06/19/97	.0000	± .0005	APPR. JCW 12/01/82	MAT'L. DECAL - 080094		
NO.	REVISION	BY	DATE	FRACTIONS	± 1/64	SCALE 1=1	BRF		
THIS DRAWING IN DESIGN AND DETAIL IS OUR PROPERTY AND MUST NOT BE USED EXCEPT IN CONNECTION WITH OUR WORK ALL RIGHTS OF DESIGN AND INVENTION ARE RESERVED				ANGLES	± 1/2"	REF. PG.5			
				INCH/MM		FMF 4P17DJ5	PARKING DEV.		

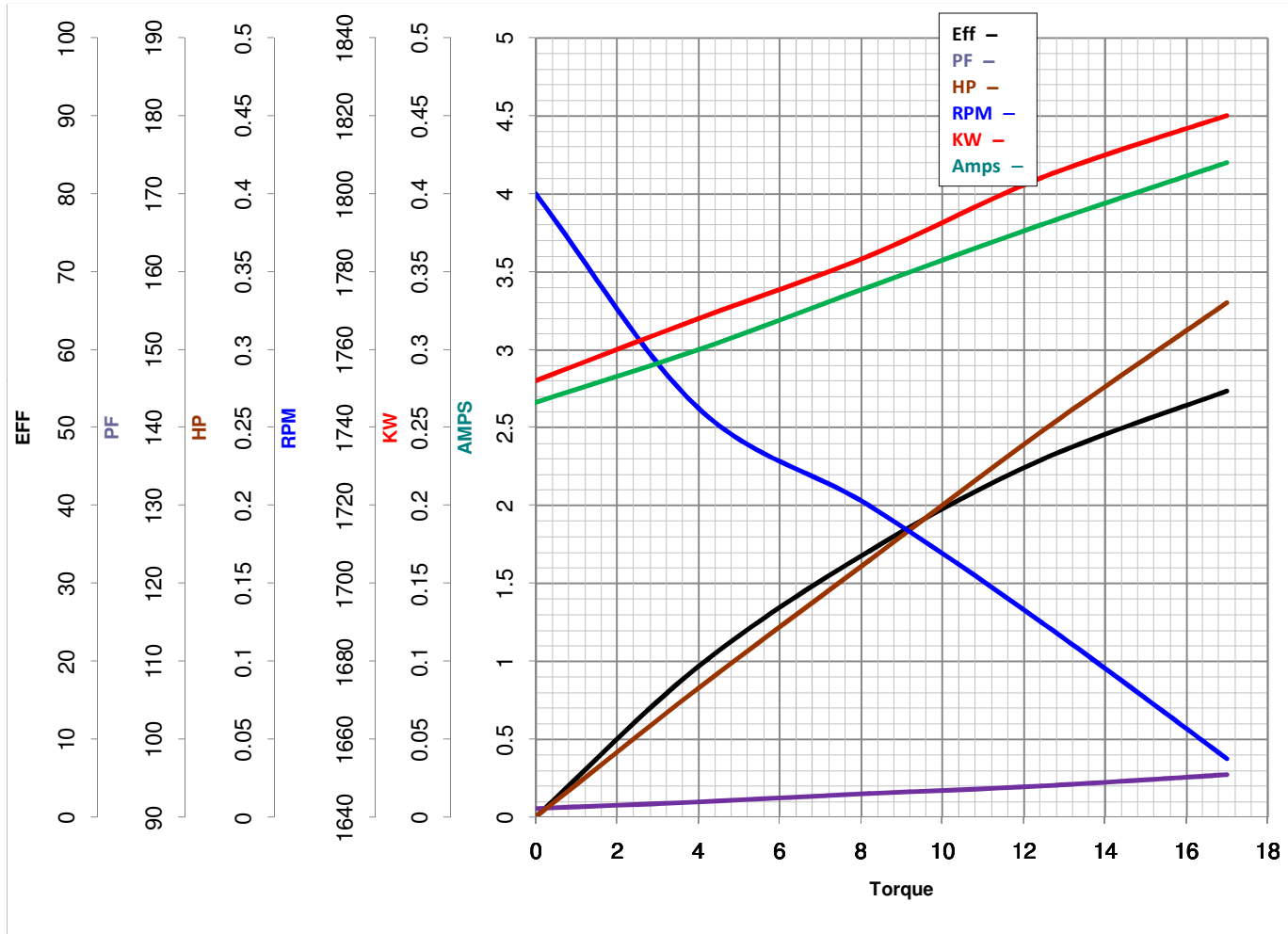


LEESON ELECTRIC CORPORATION
TYPICAL PERFORMANCE CURVE for AC MOTOR

Model No 103794.00

Catalog No 103794.00

Curve at 115 Volts HP 0.34 PHASE 1
60 HZ
0.33 HP VOLTS 115
 HZ 60 RPM 1625



Torque in Oz.Ft

FL TORQUE 17 Oz.Ft
 BD TORQUE 37.3 Oz.Ft
 LR TORQUE 28.6 Oz.Ft

FL AMPS 4.2
 PU TORQUE 27.8 Oz.Ft
 LR AMPS 8.9

WINDING PE484452-1

Date 3/23/2018