

# PRODUCT INFORMATION PACKET

Model No: 071T11FH5376  
Catalog No: R302  
1/4,1200,TEFC,71,3/60/230/460  
Aluminium Motors



Regal and Marathon are trademarks of Regal Rexnord Corporation or one of its affiliated companies.

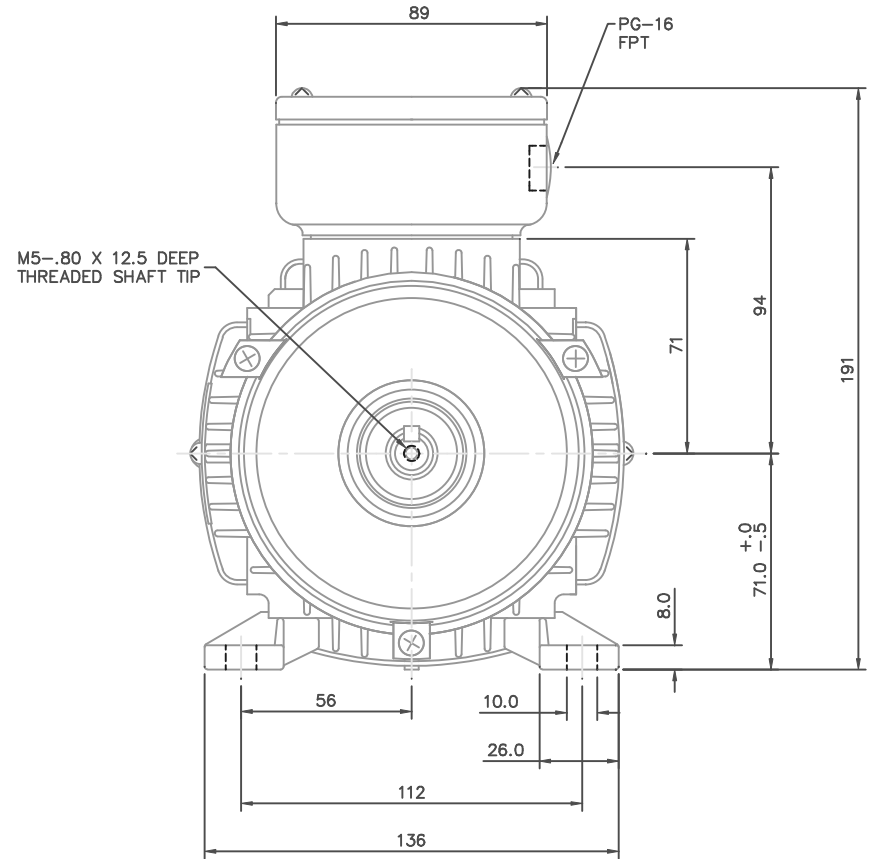
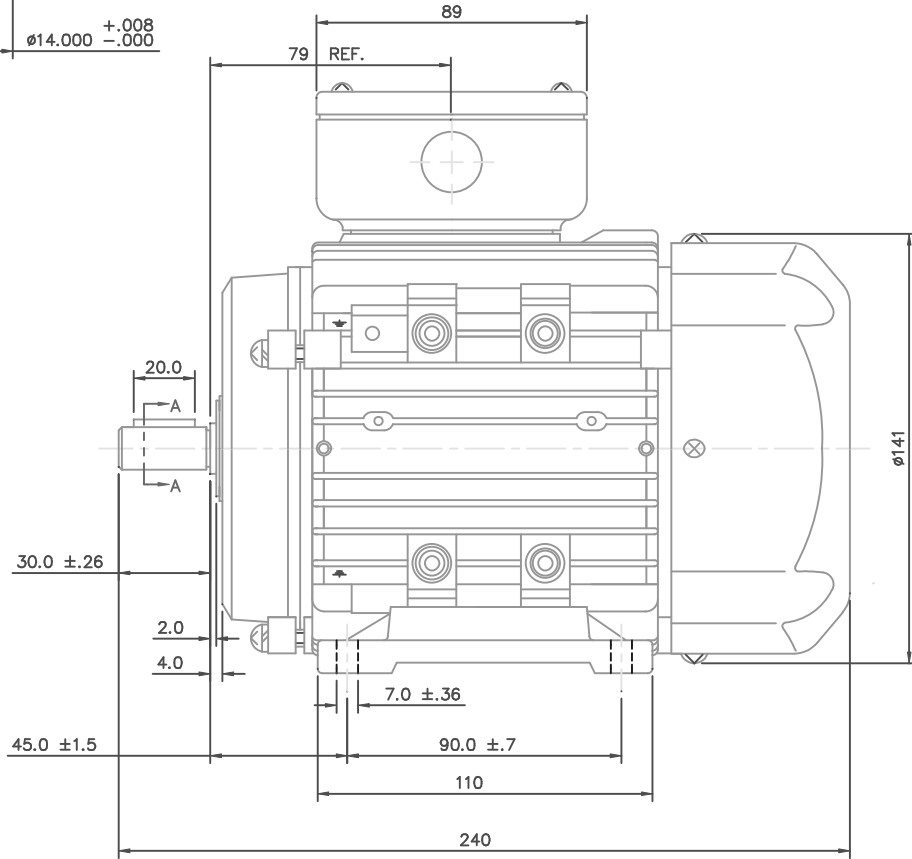
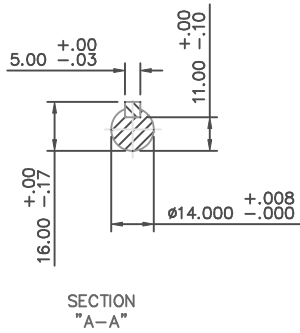
©2021 Regal Rexnord Corporation, All Rights Reserved. MC017097E

### Nameplate Specifications

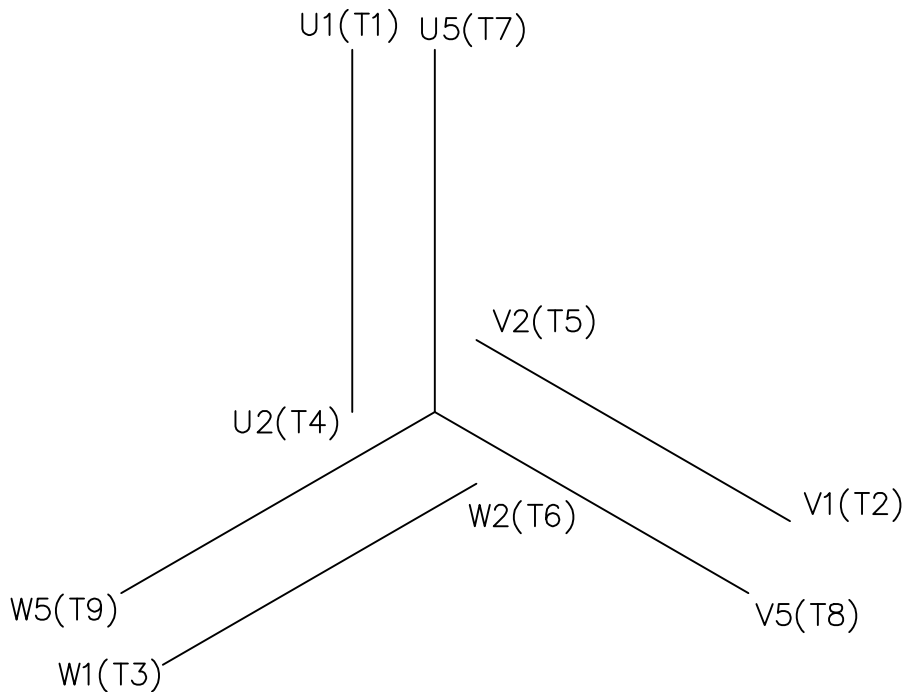
Output HP	0.25 Hp	Output KW	0.19 kW
Frequency	60 Hz	Voltage	230/460 V
Current	1.2/0.58 A	Speed	1120 rpm
Service Factor	1.15	Phase	3
Efficiency	64 %	Power Factor	63
Duty	Continuous	Insulation Class	F
Design Code	B	KVA Code	G
Frame	71	Enclosure	Totally Enclosed Fan Cooled
Thermal Protection	No	Ambient Temperature	40 °C
Drive End Bearing Size	6203	Opp Drive End Bearing Size	6203
UL	Recognized	CSA	Y
CE	Y	IP Code	55
Number of Speeds	1		

### Technical Specifications

Electrical Type	Squirrel Cage Inverter Rated	Starting Method	Line Or Inverter
Poles	6	Rotation	Reversible
Resistance Main	31.6 Ohms	Mounting	B3
Motor Orientation	Horizontal	Drive End Bearing	Ball
Opp Drive End Bearing	Ball	Frame Material	Aluminum
Shaft Type	IEC	Overall Length	9.44 in
Frame Length	4.68 in	Shaft Diameter	0.555 in
Shaft Extension	1.18 in	Assembly/Box Mounting	F3
Inverter Load	CONSTANT 20:1		
Outline Drawing	16986000ME	Connection Drawing	00546501ME

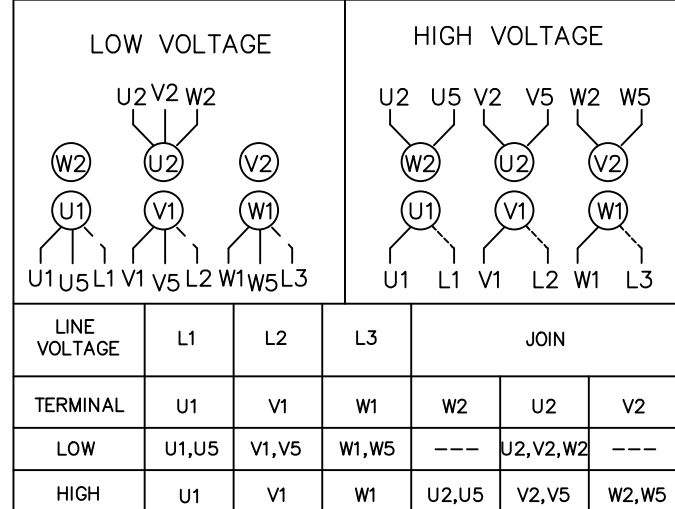


		TOLERANCES UNLESS SPECIFIED		MARATHON ELECTRIC		DRAWN	
		DEC.	METRIC			ADS 01/18/02	
		.X	±2.5			CHK	
		.XX	±.76	TITLE		APPD	
		.XXX	±.127	METRIC MOTOR OUTLINE, IMB3		SCALE 1=1.6	
		.XXXX	±.0127	IEC-71 FRAME RIGID		REF OSVC-300-553	
				MAT'L		FMF	
				ALUMINUM		PREV	
NO.	REVISION	CHK	ANG	±7'30"	FINISH		
THIS DRAWING IN DESIGN AND DETAIL IS OUR PROPERTY AND MUST NOT BE USED EXCEPT IN CONNECTION WITH OUR WORK. ALL RIGHTS OF DESIGN AND INVENTION ARE RESERVED. THIS IS AN ELECTRONICALLY GENERATED DOCUMENT - DO NOT SCALE THIS PRINT		RFP	CAD FILE		16986000ME	SIZE	DRAWING NO.
		DIST			B	169860-00ME	REV.

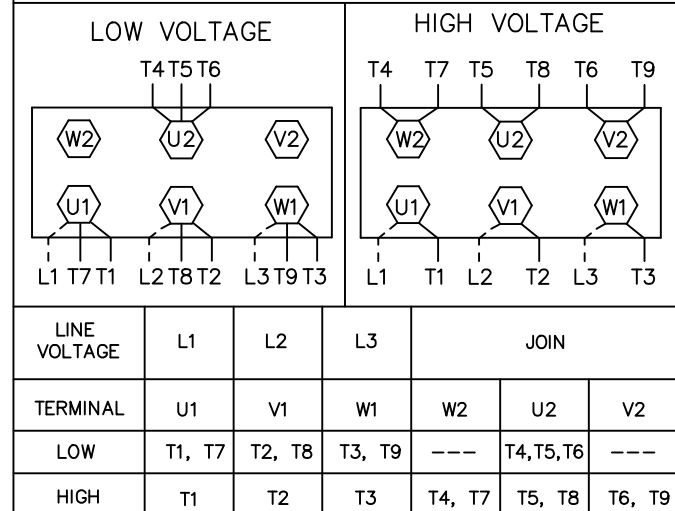


REF. DECAL (IEC) 080644  
REF. DECAL (NEMA) 080446

IEC MARKINGS



NEMA MARKINGS



				TOLERANCES UNLESS SPECIFIED			DRAWN JGO 3/10/04
				DEC.	INCHES		CHK SB 02-17-2010
				.X	±.1		APPD MJS 02-17-2010
				.XX	±.01		SCALE 1=1
				.XXX	±.005		REF
				.XXXX	±.0005	MAT'L. IEC/NEMA MARKINGS	FMF
NO.	REVISION	BY & DATE	CHK	ANG	±1/2'	FINISH	PREV
THIS DRAWING IN DESIGN AND DETAIL IS OUR PROPERTY AND MUST NOT BE USED EXCEPT IN CONNECTION WITH OUR WORK ALL RIGHTS OF DESIGN AND INVENTION ARE RESERVED THIS IS AN ELECTRONICALLY GENERATED DOCUMENT - DO NOT SCALE THIS PRINT				RFP	02-17-2010	CAD FILE 00546501ME	SIZE A
				DIST			DRAWING NO. 005465ME-01
							REV.

**CERTIFICATION DATA SHEET**

**Model#:** 71T11FH5376 A  
**CONN. DIAGRAM:** 00546501ME  
**OUTLINE:** 16986000ME

**WINDING#:** QT7161 FR 3  
**ASSEMBLY:** F3

**TYPICAL MOTOR PERFORMANCE DATA**

HP	KW	SYNC. RPM	F.L. RPM	FRAME	ENCLOSURE	KVA CODE	DESIGN
1/4&1/4	0.19&0.19	1200	1120&900	71	TEFC	G	B

PH	Hz	VOLTS	FL AMPS	START TYPE	DUTY	INSL	S.F	AMB°C	ELEVATION
3	60/50	230/460#200/ 400	1.16/.58&1.2/. 6	LINE OR INVERTER	CONTINUOU S	F5	1.15/1.15	40	3300

FULL LOAD EFF: 64	3/4 LOAD EFF: 63.3	1/2 LOAD EFF: 56.2	GTD. EFF	ELEC. TYPE	NO LOAD AMPS
FULL LOAD PF: 63	3/4 LOAD PF: 50.7	1/2 LOAD PF: 40.3	-	SQ CAGE INV RATED	1 / .5

F.L. TORQUE	LOCKED ROTOR AMPS	L.R. TORQUE	B.D. TORQUE	F.L. RISE°C
18 LB-FT	3.7 / 1.9	40.5 LB-FT 225	46.8 LB-FT 260	37

SOUND PRESSURE @ 3 FT.	SOUND POWER	ROTOR WK^2	MAX. WK^2	SAFE STALL TIME	STARTS /HOUR	APPROX. MOTOR WGT
- dBA	- dBA	0 LB-FT^2	- LB-FT^2	- SEC.	-	- LBS.

**\*\*\* SUPPLEMENTAL INFORMATION \*\*\***

DE BRACKET TYPE	ODE BRACKET TYPE	MOUNT TYPE	ORIENTATION	SEVERE DUTY	HAZARDOUS LOCATION	DRIP COVER	SCREENS	PAINT
STANDARD	STANDARD	B3	HORIZONTAL	FALSE	NONE	FALSE	NONE	BLUE (ENAMEL)

BEARINGS		GREASE	SHAFT TYPE	SPECIAL DE	SPECIAL ODE	SHAFT MATERIAL	FRAME MATERIAL
DE	OPE						
BALL	BALL	POLYREX EM	STANDARD IEC	NONE	NONE	1045 HOT ROLLED (C-204)	ALUMINUM
6203	6203						

THERMO-PROTECTORS				THERMISTORS	CONTROL	SPACE /n HEATERS
THERMOSTATS	PROTECTORS	WDG RTDs	BRG RTDs			
NONE	NOT	NONE	NONE	NONE	FALSE	NONE VOLTS

If Inverter equals NONE, contact factory for further information

\*  
N  
O  
T  
E  
S  
\*

INVERTER TORQUE: CONSTANT 20:1 INV. HP SPEED RANGE: 1.5 X BASE SPEED
ENCODER: NONE NONE NONE NONE NONE PPR
BRAKE: NONE NONE NONE P/N NONE NONE NONE NONE FT-LB NONE V NONE Hz

DATE: 06/28/2017 03:39:45 AM  
 FORM 3531 REV.3 02/07/99  
 \*\* Subject to change without notice.



**MARATHON ELECTRIC CORPORATION**  
TYPICAL PERFORMANCE CURVE for AC MOTOR

Customer

Curve at

460 Volts  
60 HZ  
0.25 HP

HP 0.25&0.25

PHASE 3

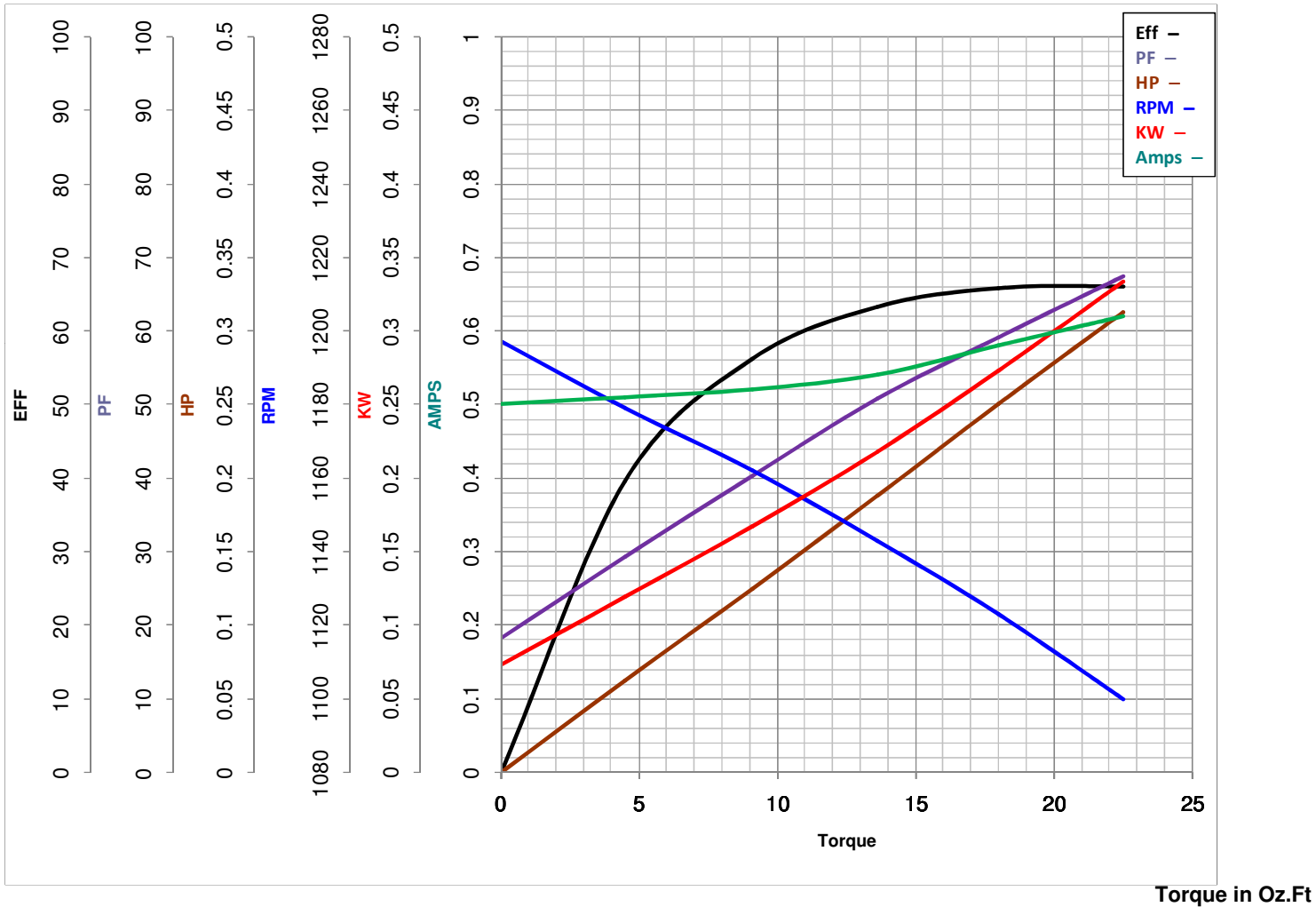
Model No 71T11FH5376

VOLTS 230/460&200/400

Catalog No R302

HZ 60&50

RPM 1120&900



FL TORQUE	18	Oz.Ft	FL AMPS	<u>1.16/58</u>
BD TORQUE	<u>46.8</u>	Oz.Ft	PU TORQUE	<u>38.7</u> Oz.Ft
LR TORQUE	<u>40.5</u>	Oz.Ft	LR AMPS	<u>1.85</u>
WINDING	QT7161-		Date	