

PRODUCT INFORMATION PACKET

Model No: 056T34F5349

Catalog No: K706

0.75 HP General Purpose Motor, 3 phase, 3600 RPM, 575 V, 56C Frame, TEFC
General Purpose Motors



Regal and Marathon are trademarks of Regal Rexnord Corporation or one of its affiliated companies.
©2021 Regal Rexnord Corporation, All Rights Reserved. MC017097E



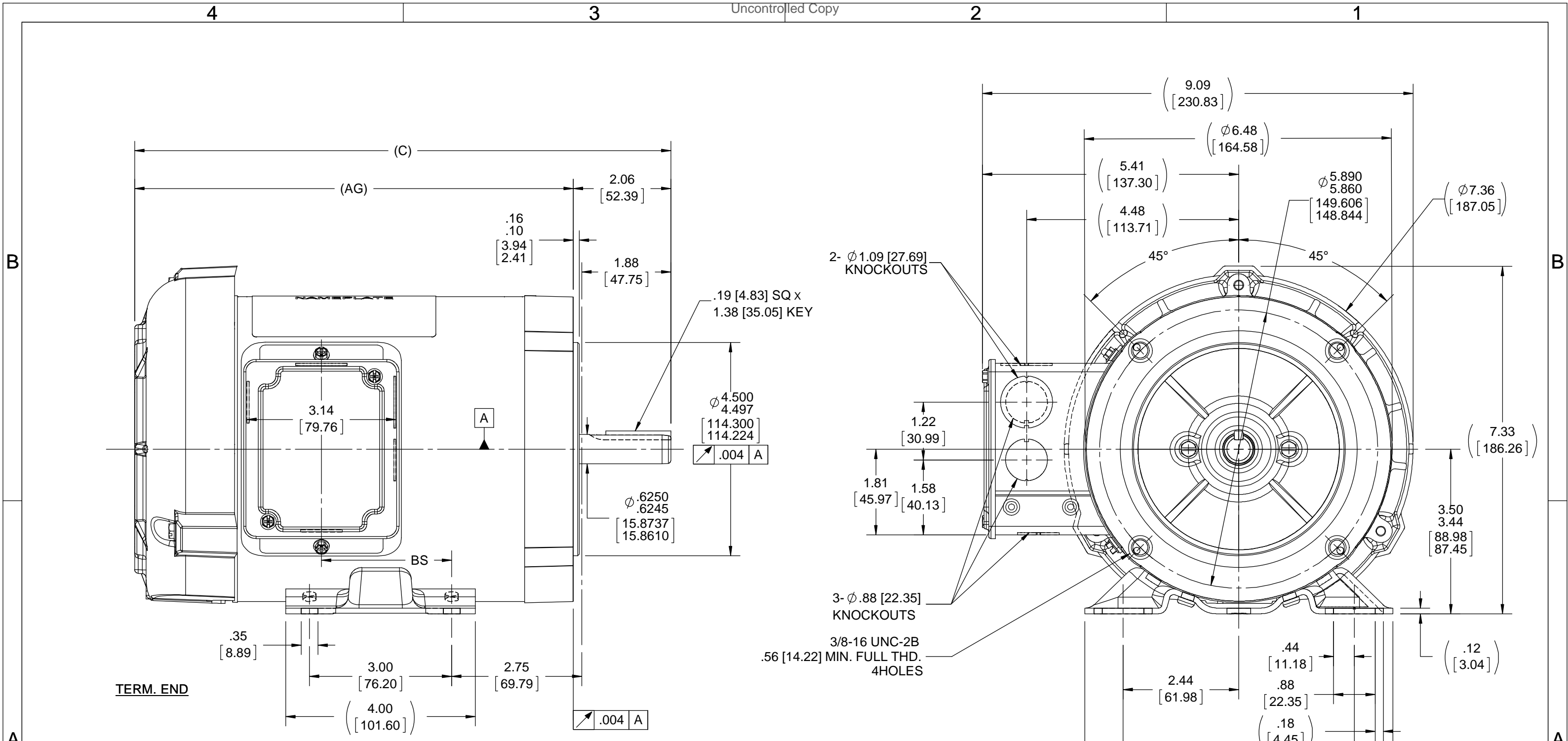
Nameplate Specifications

Output HP	0.75 Hp	Output KW	0.56 kW
Frequency	60 Hz	Voltage	575 V
Current	1.3 A	Speed	3450 rpm
Service Factor	1.15	Phase	3
Efficiency	74 %	Power Factor	69.1
Duty	Continuous	Insulation Class	F
Design Code	B	KVA Code	N
Frame	56C	Enclosure	Totally Enclosed Fan Cooled
Thermal Protection	No	Ambient Temperature	40 °C
Drive End Bearing Size	6203	Opp Drive End Bearing Size	6203
UL	Recognized	CSA	Y
CE	Y	IP Code	43
Number of Speeds	1		

Technical Specifications

Electrical Type	Squirrel Cage Induction Run	Starting Method	Across The Line
Poles	2	Rotation	Reversible
Resistance Main	5.66 Ohms	Mounting	Bolt-on Base
Motor Orientation	Horizontal Or Up Or Down	Drive End Bearing	Ball
Opp Drive End Bearing	Ball	Frame Material	Rolled Steel
Shaft Type	NEMA 56	Overall Length	11.81 in
Frame Length	6.56 in	Shaft Diameter	0.625 in
Shaft Extension	2.06 in	Assembly/Box Mounting	F1 ONLY
Outline Drawing	A-100141-656	Connection Drawing	A-EE7300

This is an uncontrolled document once printed or downloaded and is subject to change without notice. Date Created:10/06/2021



NOTE :-
 1. CONDUIT BOX CAN BE ROTATED 180° STEP.
 2. REMOVABLE BASE.
 3. NAMEPLATE READ FROM CONDUIT BOX SIDE.

DASH	C	AG	BS
606	11.31[287.27]	9.25 [234.95]	2.75 [69.85]
656	11.81[299.97]	9.75 [247.65]	3.25 [82.55]
706	12.31[312.67]	10.25 [260.35]	3.75 [95.25]
756	12.81[325.37]	10.75 [273.05]	4.25 [107.95]
806	13.31[338.07]	11.25 [285.75]	4.75 [120.65]
856	13.81[350.77]	11.75 [298.45]	5.25 [133.35]

DRAWING REVISION	REVISION BY	DATE
M	M. CHATLAPALLI	01/10/2019
ECO	APPROVED BY	DATE
ECO-0159684	S. MACHARLA	01/10/2019

ECO DESCRIPTION
OUTLINE CONVERSION PROJECT
 COPYRIGHT REGAL BELOIT AMERICA, INC. ALL RIGHTS RESERVED.
 PROPRIETARY AND CONFIDENTIAL INFORMATION - THIS DOCUMENT IS THE PROPERTY OF REGAL BELOIT AMERICA, INC. ("OWNER") AND CONTAINS OWNER'S PROPRIETARY INFORMATION. ANY PERSON, CORPORATION OR OTHER FIRM RECEIVING IT IS DEEMED, BY RECEIVING IT, TO AGREE THAT IT, AND/OR ANY PART OF IT, SHALL NOT BE DISCLOSED TO ANY PERSON, CORPORATION OR OTHER ENTITY, DUPLICATED, AND/OR USED, EXCEPT AS EXPRESSLY APPROVED IN WRITING IN ADVANCE BY OWNER. THIS DOCUMENT SHALL BE RETURNED TO OWNER UPON REQUEST. IT MAY BE SUBJECT TO CERTAIN RESTRICTIONS UNDER APPLICABLE EXPORT CONTROL LAWS AND REGULATIONS.

TOLERANCES UNLESS OTHERWISE SPECIFIED:

DEC.	INCH	mm	ANGLE
.X	±0.1	[±2.5]	±7° 30"
.XX	±0.03	[±0.76]	
.XXX	±0.005	[±0.127]	
.XXXX	±0.0005	[±0.0127]	

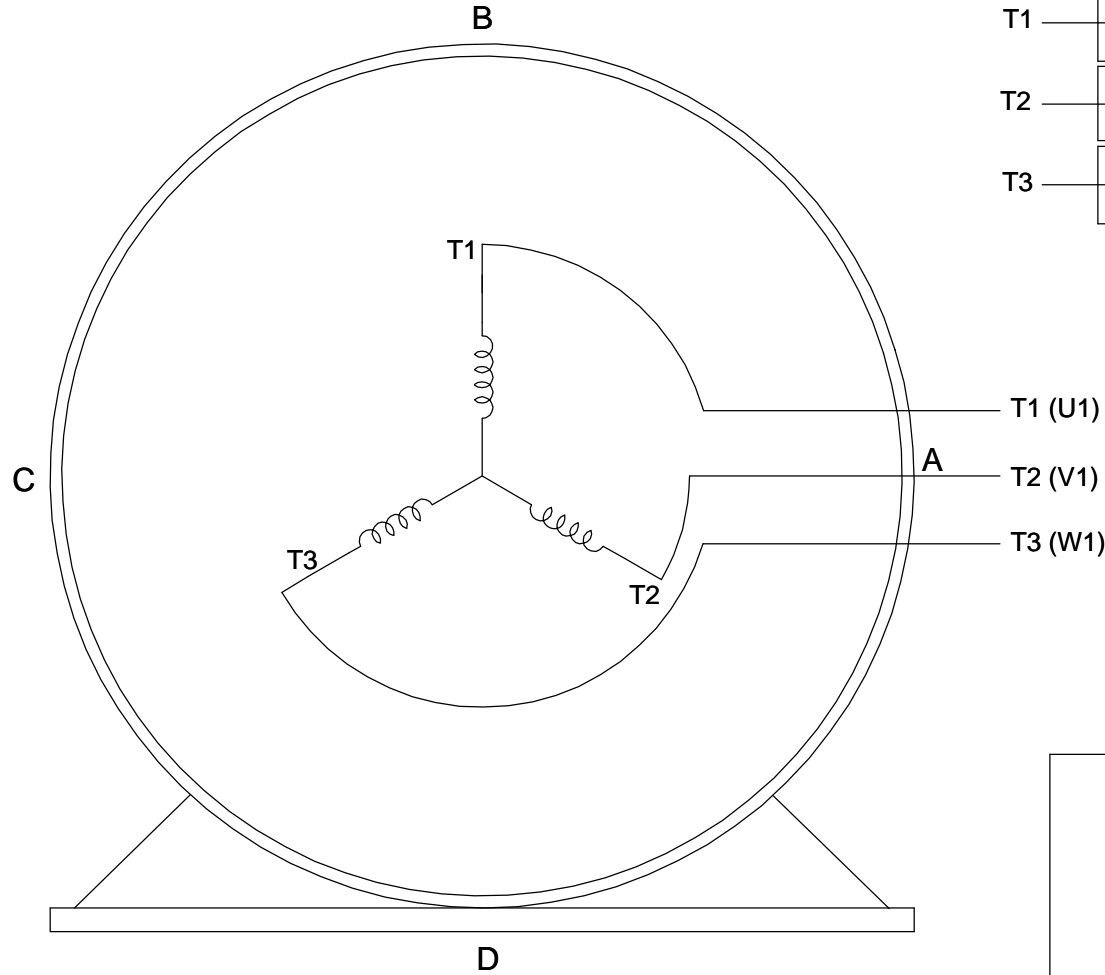
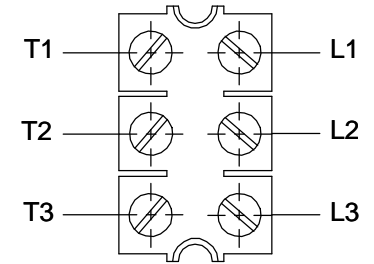
REMOVE BURRS & BREAK SHARP EDGES: .003/.015 [0.076/.381] X 45°
 CORNER FILLETS: R.02 [0.51]
 MACHINED SURFACES: 200 INCH/mm 5.1
 mm SHOWN IN [BRACKETS]

DRAWN BY	BLR	Regal Beloit America, Inc.
DATE	05-27-1997	
APPROVED BY	GK	DESCRIPTION
DATE	05-27-1997	OUTLINE 56 FR - BB - TEFC - 'C' FACE
REFERENCE	100141	MATERIAL
THIRD ANGLE PROJECTION		PROCESS/FINISH
SIZE	B	DRAWING NUMBER
		100141
		SHEET
		1 OF 1

**THREE PHASE - SINGLE VOLTAGE
MOTOR - CONDUIT BOX @ 'A'**

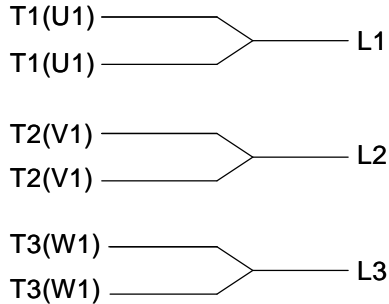
**TO REVERSE ROTATION:
INTERCHANGE ANY TWO
LINE LEAD CONNECTIONS.**

TERMINAL BLOCK WHEN SPECIFIED



VIEW OF TERMINAL END

**IF MOTOR HAS
6 LEADS**

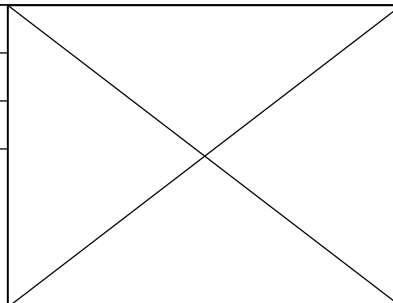


A-9806 DECAL

**OPTIONAL CORD
CONNECTION**

- L1 WHITE
- L2 RED
- L3 BLACK

DRAWING REVISION AB	REVISION BY JJB	DATE 06-27-2017
ECO ECO-0125361	APPROVED BY TB	DATE 06-27-2017
ECO DESCRIPTION UPDATED TO CURRENT STANDARDS		
<small>COPYRIGHT REGAL BELOIT AMERICA, INC. ALL RIGHTS RESERVED. PROPRIETARY AND CONFIDENTIAL INFORMATION - THIS DOCUMENT IS THE PROPERTY OF REGAL BELOIT AMERICA, INC. ("OWNER") AND CONTAINS OWNER'S PROPRIETARY INFORMATION. ANY PERSON, CORPORATION OR OTHER FIRM RECEIVING IT IS DEEMED, BY RECEIVING IT, TO AGREE THAT IT, AND/OR ANY PART OF IT, SHALL NOT BE DISCLOSED TO ANY PERSON, CORPORATION OR OTHER ENTITY, DUPLICATED, AND/OR USED, EXCEPT AS EXPRESSLY APPROVED IN WRITING IN ADVANCE BY OWNER. THIS DOCUMENT SHALL BE RETURNED TO OWNER UPON REQUEST. IT MAY BE SUBJECT TO CERTAIN RESTRICTIONS UNDER APPLICABLE EXPORT CONTROL LAWS AND REGULATIONS.</small>		



DRAWN BY DA
DATE 03-26-1993
APPROVED BY TB
DATE 03-26-1993
REFERENCE
THIRD ANGLE PROJECTION

Regal Beloit America, Inc.		
		DESCRIPTION CONNECTION DIAGRAM EXTERNAL - SINGLE VOLTAGE - 3Ø MOTOR
MATERIAL	PROCESS/FINISH	
SIZE A	DRAWING NUMBER EE7300	SHEET 1 OF 1

Data Sheet

Date: 1/3/2019
 Customer: _____
 Attention: _____
 Submitted by: FAREEDA DUDEKULA



56T34F5349

Submittal

Data @ 575 V

Motor Load Data

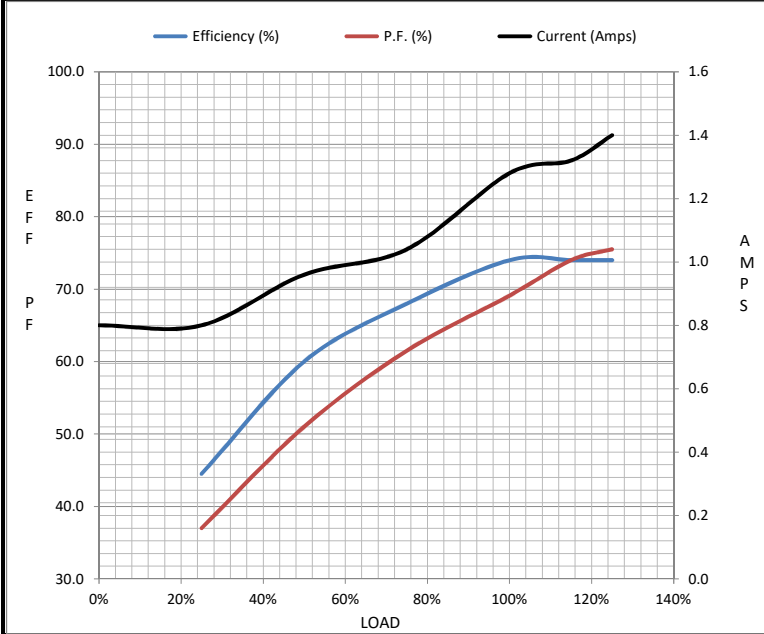
Load	0%	25%	50%	75%	100%	115%	125%	LR
Current (Amps)	0.80	0.80	0.96	1.04	1.28	1.32	1.40	9.2
Torque (ft-lb)	0.00	0.28	0.55	0.84	1.14	1.30	1.40	4.0
RPM	3600	3577	3560	3525	3450	3,440	3425	0
Efficiency (%)		44.5	60.0	68.0	74.0	74.0	74.0	
P.F. (%)	18.0	37.0	51.0	61.5	69.1	74.0	75.5	74.0

Motor Speed Data

	LR	Pull-Up	BD	Rated	Idle
Speed (RPM)	0	1800	2640	3450	3600
Current (Amps)	9.2	8.3	6.0	1.28	0.80
Torque (ft-lb)	4.0	3.6	5.6	1.14	0.00

Information Block

HP	0.8			
Sync. RPM	3600			
Frame	56			
Enclosure	TEFC			
Construction	TS			
Voltage	575 V			
Frequency	60 Hz			
Design	B			
LR Code letter	N			
Service Factor	1.15			
Temp Rise @ FL	50 °C			
Duty	CONT			
Ambient	40 °C			
Elevation	3300 feet			
Rotor/Shaft wk ²	0.02 Lb-Ft ²			
Ref Wdg	ZT205 FR			
Sound Pressure @ 1M	68 dBA			
VFD Rating	NONE			
Outline Dwg	A-100141-656			
Conn. Diag	A-EE7300			
Additional Specifications:				
0				
0				
EQUIV CKT (OHMS / PHASE)				
R1	R2	X1	X2	Xm
0.0000	0.0000	0.0000	0.0000	0.0000



Speed - Torque Curve

