

PRODUCT INFORMATION PACKET

Model No: 056H17E5304

Catalog No: Y603

0.75 HP Variable Speed Motor, 3 phase, 1800 RPM, 230/460 V, 56C Frame, EPNV
Explosion Proof Motors



Regal and Marathon are trademarks of Regal Rexnord Corporation or one of its affiliated companies.
©2021 Regal Rexnord Corporation, All Rights Reserved. MC017097E



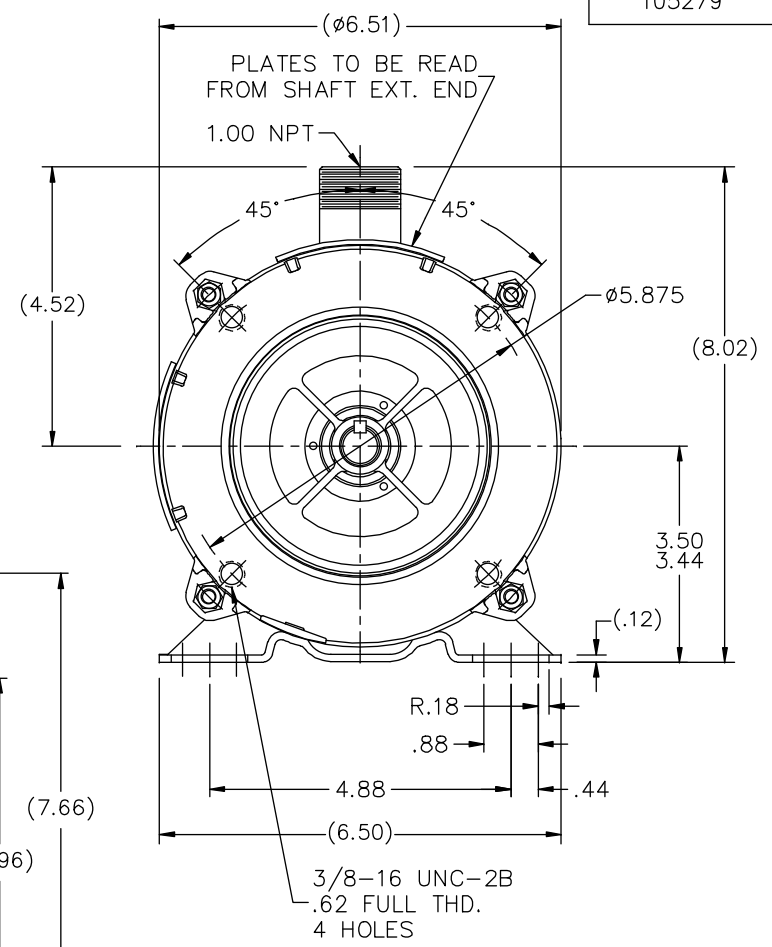
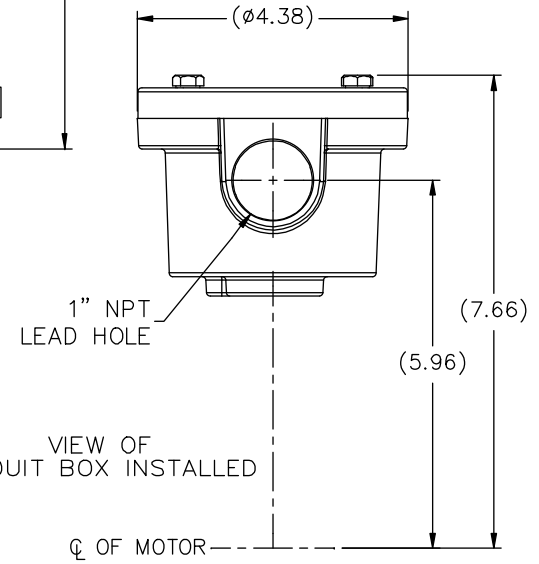
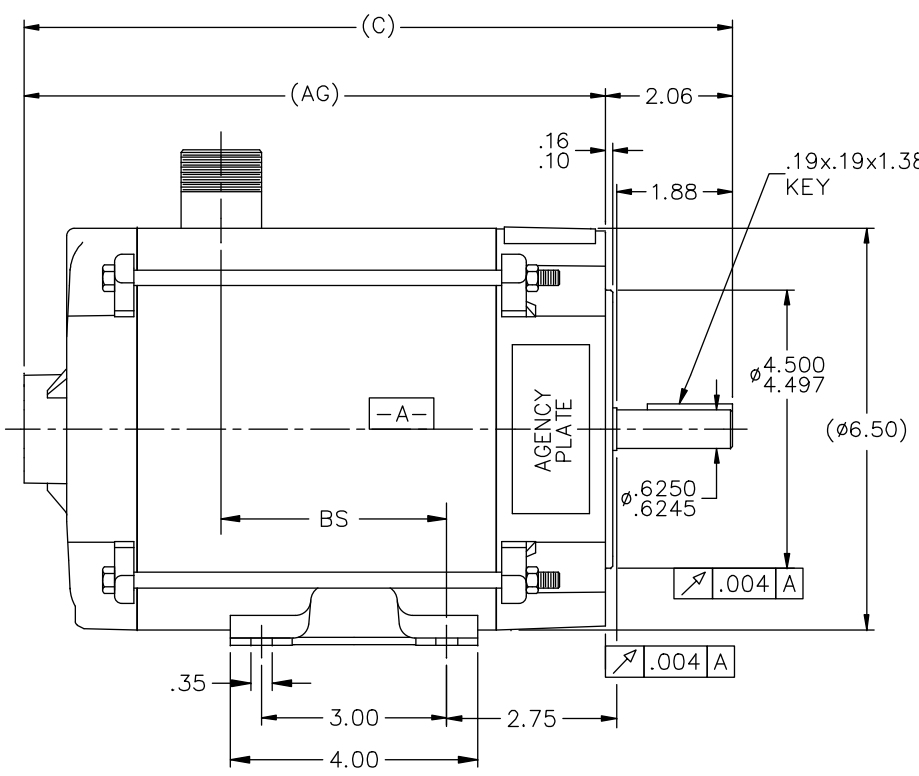
Nameplate Specifications

Output HP	0.75 Hp	Output KW	0.56 kW
Frequency	60 Hz	Voltage	230/460 V
Current	2.4/1.2 A	Speed	1725 rpm
Service Factor	1	Phase	3
Efficiency	82.5 %	Power Factor	73.5
Duty	Continuous	Insulation Class	F
Design Code	INV	KVA Code	P
Frame	56C	Enclosure	Explosion Proof Non Ventilated
Thermal Protection	Thermostats (N/C)	Ambient Temperature	40 °C
Drive End Bearing Size	6203	Opp Drive End Bearing Size	6203
UL	UL Listed And CSA Certified	CSA	Y
CE	N	IP Code	54
Hazardous Location	DIV 1 EXP PROOF CL I GR CD CL II GR FG T3B	Number of Speeds	1

Technical Specifications

Electrical Type	Squirrel Cage Inverter Duty	Starting Method	Inverter Only
Poles	4	Rotation	Reversible
Resistance Main	17.5 Ohms	Mounting	Rigid Base
Motor Orientation	Horizontal	Drive End Bearing	Ball
Opp Drive End Bearing	Ball	Frame Material	Rolled Steel
Shaft Type	NEMA 56	Overall Length	13.47 in
Frame Length	7.81 in	Shaft Diameter	0.625 in
Shaft Extension	2.06 in	Assembly/Box Mounting	F3
Inverter Load	CONSTANT 1000:1		
Connection Drawing	A-EE7308T	Outline Drawing	B-105279-781

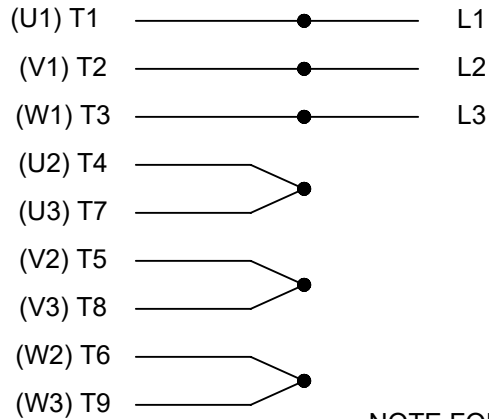
This is an uncontrolled document once printed or downloaded and is subject to change without notice. Date Created:10/06/2021



DASH	(C)	(AG)	BS
631	11.97	9.91	4.15
681	12.47	10.41	4.65
731	12.97	10.91	5.15
781	13.47	11.41	5.65
831	13.97	11.91	6.15
881	14.47	12.41	6.65
931	14.97	12.91	7.15
981	15.47	13.41	7.65

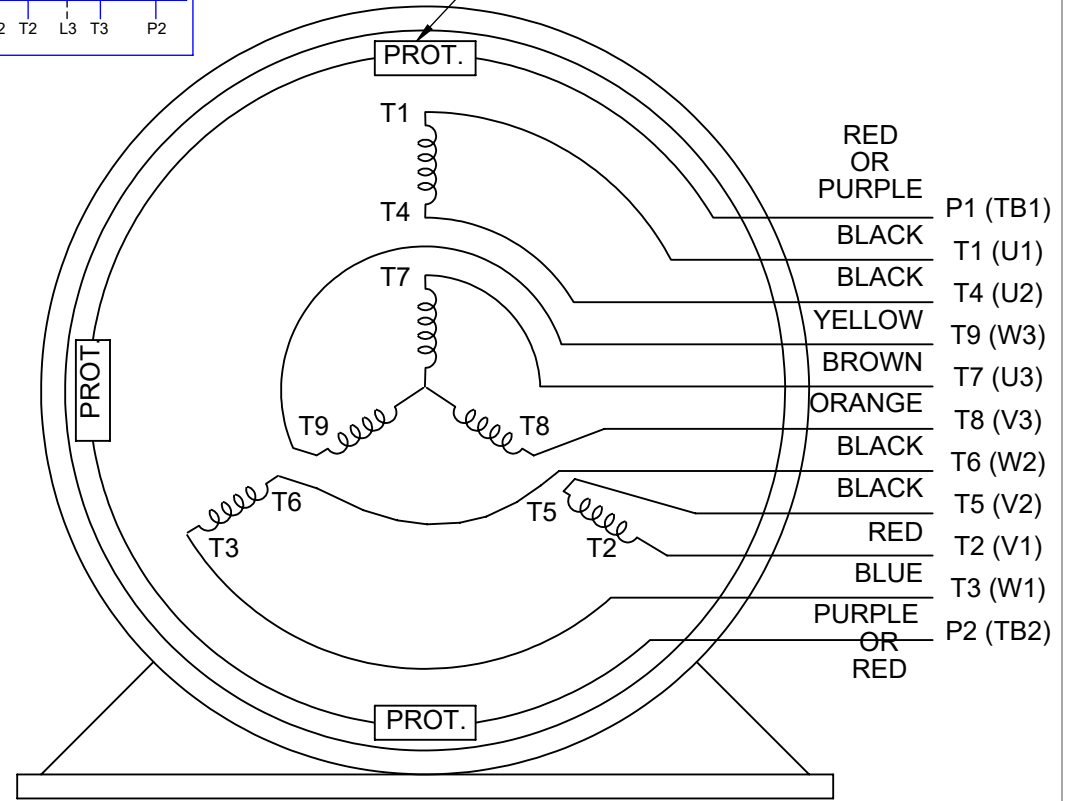
		TOLERANCES UNLESS SPECIFIED		MARATHON ELECTRIC		DRAWN DRS 12-13-2001	
NO.	REVISION	BY & DATE	CHK	ANG	FINISH	SCALE	PREV
5	REVISED AK DIA ECR-0044440	SVL 11-06-2013					CHK ML 12-20-2001
4	REVISED C'BOX PER CN40784A	JJB 02/23/2007	ML	.X	$\pm .1$		APPD SAS 12-21-2001
3	REDRAWN ON AUTOCAD	DRS 08-16-2005	ML	.XX	$\pm .03$	TITLE OUTLINE - C'FACE	SCALE 1=2
2	ROTATED C'BOX IN INSTALLED VIEW	MSG 12-28-2001	ML	.XXX	$\pm .005$	56 FR. - EXP. PR. - EPNV	REF
1	NEW DRAWING MU39767	DRS 12-21-2001	ML	.XXXX	$\pm .0005$	MAT'L.	FMF
THIS DRAWING IN DESIGN AND DETAIL IS OUR PROPERTY AND MUST NOT BE USED EXCEPT IN CONNECTION WITH OUR WORK ALL RIGHTS OF DESIGN AND INVENTION ARE RESERVED THIS IS AN ELECTRONICALLY GENERATED DOCUMENT - DO NOT SCALE THIS PRINT		RFP	CAD FILE 105279		SIZE B	DRAWING NO. 105279	PAGE OF 5
		DIST WP					REV. 5

HIGH VOLTAGE



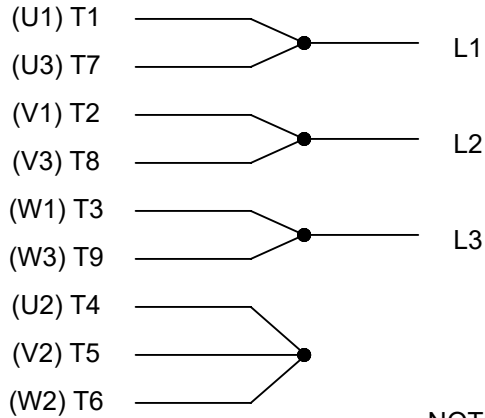
**THREE PHASE
DUAL VOLTAGE MOTOR**

THERMO-PROTECTORS
CONNECTED IN SERIES



NOTE FOR FACTORY USE ONLY:
TO SURGE TEST FOR COMMON CONNECT:
HIGH VOLT: CONNECT P1 TO T1
THEN P2 TO L1
LOW VOLT: CONNECT P1 TO T1 & T7,
THEN P2 TO L1

LOW VOLTAGE



VIEW OF TERMINAL END

NOTE: LEAD'S COLOR CAN BE YELLOW OR WHITE FOR MT2 PLANT

DRAWING REVISION T	REVISION BY ZR	DATE 01-14-2019		DRAWN BY SMC	Regal Beloit America, Inc.
ECO ECO-0159915	APPROVED BY DR	DATE 01-15-2019		DATE 05-13-1992	
ECO DESCRIPTION ADDED TERMINAL CONNECTION DIAGRAM				APPROVED BY TB	DESCRIPTION CONN DIAGRAM-INTERNAL 3 PHASE - DUAL VOLTAGE MOTOR
<small>COPYRIGHT REGAL BELOIT AMERICA, INC. ALL RIGHTS RESERVED. PROPRIETARY AND CONFIDENTIAL INFORMATION - THIS DOCUMENT IS THE PROPERTY OF REGAL BELOIT AMERICA, INC. ("OWNER") AND CONTAINS OWNER'S PROPRIETARY INFORMATION. ANY PERSON, CORPORATION OR OTHER FIRM RECEIVING IT IS DEEMED, BY RECEIVING IT, TO AGREE THAT IT, AND/OR ANY PART OF IT, SHALL NOT BE DISCLOSED TO ANY PERSON, CORPORATION OR OTHER ENTITY, DUPLICATED, AND/OR USED, EXCEPT AS EXPRESSLY APPROVED IN WRITING IN ADVANCE BY OWNER. THIS DOCUMENT SHALL BE RETURNED TO OWNER UPON REQUEST. IT MAY BE SUBJECT TO CERTAIN RESTRICTIONS UNDER APPLICABLE EXPORT CONTROL LAWS AND REGULATIONS.</small>			DATE 05-13-1992	MATERIAL	PROCESS/FINISH
			REFERENCE EE7308/EE7300	THIRD ANGLE PROJECTION	SIZE A

*

ENCODER: NONE			
NONE	NONE		
NONE	NONE PPR		
BRAKE: NONE NONE			
NONE	P/N NONE		
NONE	NONE		
NONE FT-LB	NONE V	NONE Hz	

DATE: 06/28/2017 12:51:34 AM
FORM 3531 REV.3 02/07/99
** Subject to change without notice.

Data Sheet

Date: 2/26/2018
 Customer: _____
 Attention: _____
 Submitted by: _____



56H17E5304

Submittal

Data @ 460 V

Motor Load Data

Load	0%	25%	50%	75%	100%	115%	125%	LR
Current (Amps)	0.75	0.80	0.90	1.00	1.20	1.30	1.40	12.0
Torque (ft-lb)	0.00	0.55	1.10	1.70	2.25	2.53	2.80	9.8
RPM	1800	1785	1775	1765	1755	1,749	1740	0
Efficiency (%)		62.5	75.5	80.0	82.5	82.5	82.5	
P.F. (%)	12.0	35.0	52.0	65.0	73.5	76.3	79.0	65.0

Motor Speed Data

	LR	Pull-Up	BD	Rated	Idle
Speed (RPM)	0	500	1140	1755	1800
Current (Amps)	12.0	11.5	7.0	1.20	0.75
Torque (ft-lb)	9.8	9.2	10.2	2.25	0.00

Information Block				
HP	0.8			
Sync. RPM	1800			
Frame	56			
Enclosure	TENV			
Construction	TTR			
Voltage	230/460 V			
Frequency	60 Hz			
Design	A			
LR Code letter	P			
Service Factor	1.15			
Temp Rise @ FL	65 °C			
Duty	CONT			
Ambient	40 °C			
Elevation	1,000 feet			
Rotor/Shaft wk ²	0.09 Lb-Ft ²			
Ref Wdg	ZT449 TR			
Sound Pressure @ 1M	62 dBA			
VFD Rating	CONSTANT 1000:1			
Outline Dwg	B-105279-781			
Conn. Diag	A-EE7308T			
Additional Specifications:				
0				
0				
EQUIV CKT (OHMS / PHASE)				
R1	R2	X1	X2	Xm
11.0000	7.4090	13.2680	12.2090	339.8220

