

# PRODUCT INFORMATION PACKET

Model No: 056H17E5302

Catalog No: Y601

0.33 HP Variable Speed Motor, 3 phase, 1800 RPM, 230/460 V, 56C Frame, EPNV  
Explosion Proof Motors



Regal and Marathon are trademarks of Regal Rexnord Corporation or one of its affiliated companies.  
©2021 Regal Rexnord Corporation, All Rights Reserved. MC017097E



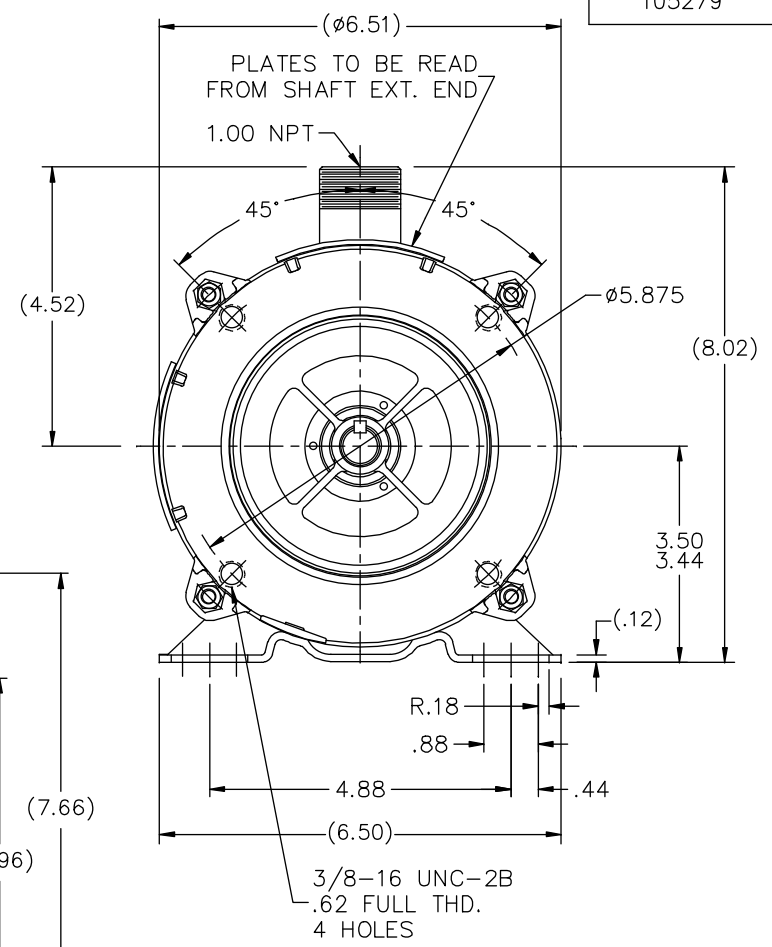
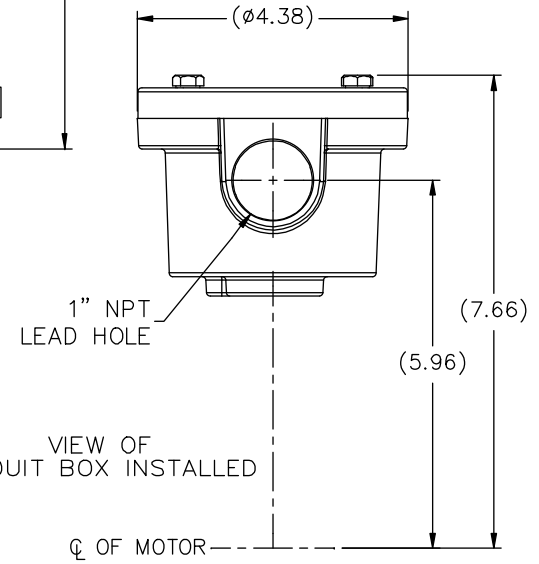
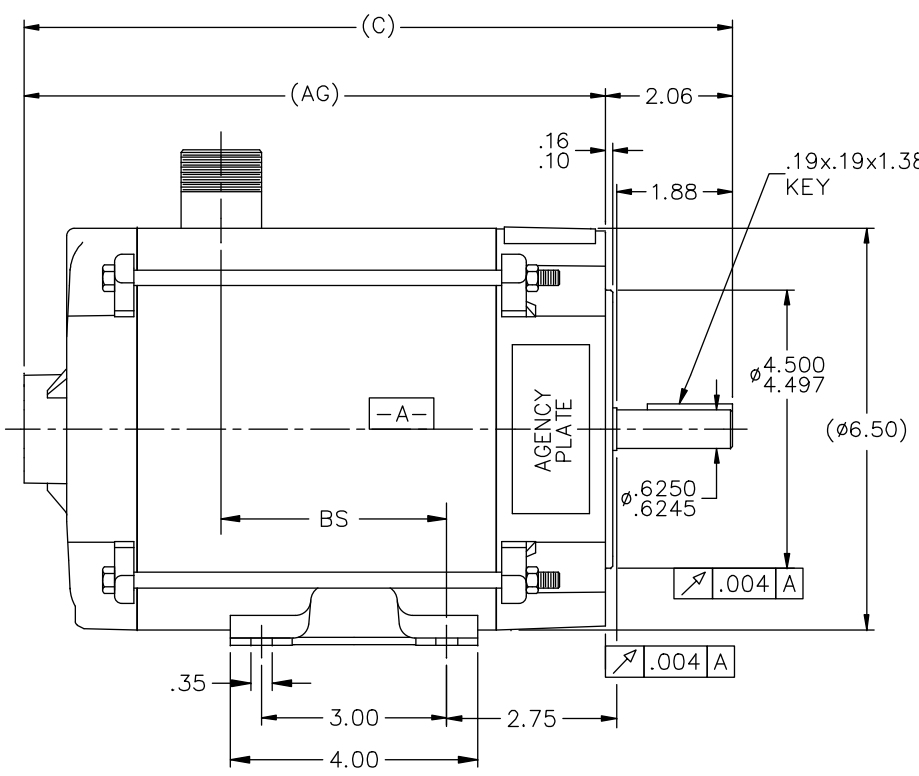
### Nameplate Specifications

Output HP	<b>0.33 Hp</b>	Output KW	<b>0.25 kW</b>
Frequency	<b>60 Hz</b>	Voltage	<b>230/460 V</b>
Current	<b>1.2/0.60 A</b>	Speed	<b>1725 rpm</b>
Service Factor	<b>1</b>	Phase	<b>3</b>
Efficiency	<b>74 %</b>	Power Factor	<b>76</b>
Duty	<b>Continuous</b>	Insulation Class	<b>F</b>
Design Code	<b>INV</b>	KVA Code	<b>K</b>
Frame	<b>56C</b>	Enclosure	<b>Explosion Proof Non Ventilated</b>
Thermal Protection	<b>Thermostats (N/C)</b>	Ambient Temperature	<b>40 °C</b>
Drive End Bearing Size	<b>6203</b>	Opp Drive End Bearing Size	<b>6203</b>
UL	<b>UL Listed And CSA Certified</b>	CSA	<b>Y</b>
CE	<b>N</b>	IP Code	<b>54</b>
Hazardous Location	<b>DIV 1 EXP PROOF CL I GR CD CL II GR FG T3B</b>	Number of Speeds	<b>1</b>

### Technical Specifications

Electrical Type	<b>Squirrel Cage Inverter Duty</b>	Starting Method	<b>Inverter Only</b>
Poles	<b>4</b>	Rotation	<b>Reversible</b>
Resistance Main	<b>63.7 Ohms</b>	Mounting	<b>Rigid Base</b>
Motor Orientation	<b>Horizontal</b>	Drive End Bearing	<b>Ball</b>
Opp Drive End Bearing	<b>Ball</b>	Frame Material	<b>Rolled Steel</b>
Shaft Type	<b>NEMA 56</b>	Overall Length	<b>11.97 in</b>
Frame Length	<b>6.31 in</b>	Shaft Diameter	<b>0.625 in</b>
Shaft Extension	<b>2.06 in</b>	Assembly/Box Mounting	<b>F3</b>
Inverter Load	<b>CONSTANT 1000:1</b>		
Connection Drawing	<b>A-EE7308T</b>	Outline Drawing	<b>B-105279-631</b>

This is an uncontrolled document once printed or downloaded and is subject to change without notice. Date Created:10/06/2021



DASH	(C)	(AG)	BS		
631	11.97	9.91	4.15		
681	12.47	10.41	4.65		
731	12.97	10.91	5.15		
781	13.47	11.41	5.65		
831	13.97	11.91	6.15		
881	14.47	12.41	6.65		
931	14.97	12.91	7.15		
981	15.47	13.41	7.65		

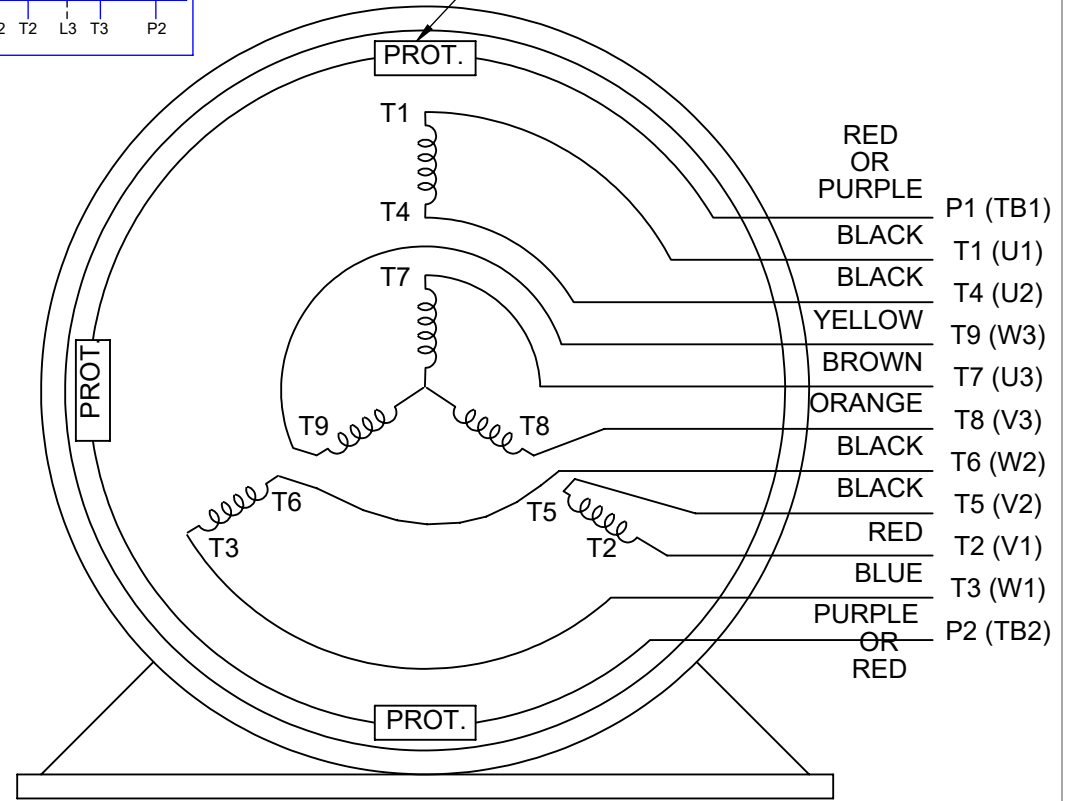
NO.	REVISION	BY & DATE	CHK	ANG	TOLERANCES UNLESS SPECIFIED		MARATHON ELECTRIC	DRAWN DRS 12-13-2001				
					DEC.	INCHES						
5	REVISED AK DIA ECR-0044440	SVL 11-06-2013						CHK ML 12-20-2001				
4	REVISED C'BOX PER CN40784A	JJB 02/23/2007	ML	.X	$\pm .1$			APPD SAS 12-21-2001				
3	REDRAWN ON AUTOCAD	DRS 08-16-2005	ML	.XX	$\pm .03$		TITLE OUTLINE - C'FACE	SCALE 1=2				
2	ROTATED C'BOX IN INSTALLED VIEW	MSG 12-28-2001	ML	.XXX	$\pm .005$		56 FR. - EXP. PR. - EPNV	REF				
1	NEW DRAWING MU39767	DRS 12-21-2001	ML	.XXXX	$\pm .0005$		MAT'L.	FMF				
THIS DRAWING IN DESIGN AND DETAIL IS OUR PROPERTY AND MUST NOT BE USED EXCEPT IN CONNECTION WITH OUR WORK ALL RIGHTS OF DESIGN AND INVENTION ARE RESERVED THIS IS AN ELECTRONICALLY GENERATED DOCUMENT - DO NOT SCALE THIS PRINT							RFP	CAD FILE 105279	SIZE B	DRAWING NO. 105279	PAGE OF 5	REV. 5
							DIST WP					

**HIGH VOLTAGE**



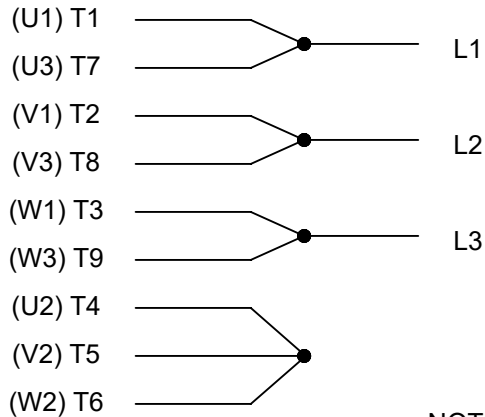
**THREE PHASE  
DUAL VOLTAGE MOTOR**

THERMO-PROTECTORS  
CONNECTED IN SERIES



NOTE FOR FACTORY USE ONLY:  
TO SURGE TEST FOR COMMON CONNECT:  
HIGH VOLT: CONNECT P1 TO T1  
THEN P2 TO L1  
LOW VOLT: CONNECT P1 TO T1 & T7,  
THEN P2 TO L1

**LOW VOLTAGE**



**VIEW OF TERMINAL END**

NOTE: LEAD'S COLOR CAN BE YELLOW OR WHITE FOR MT2 PLANT

DRAWING REVISION T	REVISION BY ZR	DATE 01-14-2019		DRAWN BY SMC	Regal Beloit America, Inc.
ECO ECO-0159915	APPROVED BY DR	DATE 01-15-2019		DATE 05-13-1992	
ECO DESCRIPTION <b>ADDED TERMINAL CONNECTION DIAGRAM</b>				APPROVED BY TB	
<small>COPYRIGHT REGAL BELOIT AMERICA, INC. ALL RIGHTS RESERVED. PROPRIETARY AND CONFIDENTIAL INFORMATION - THIS DOCUMENT IS THE PROPERTY OF REGAL BELOIT AMERICA, INC. ("OWNER") AND CONTAINS OWNER'S PROPRIETARY INFORMATION. ANY PERSON, CORPORATION OR OTHER FIRM RECEIVING IT IS DEEMED, BY RECEIVING IT, TO AGREE THAT IT, AND/OR ANY PART OF IT, SHALL NOT BE DISCLOSED TO ANY PERSON, CORPORATION OR OTHER ENTITY, DUPLICATED, AND/OR USED, EXCEPT AS EXPRESSLY APPROVED IN WRITING IN ADVANCE BY OWNER. THIS DOCUMENT SHALL BE RETURNED TO OWNER UPON REQUEST. IT MAY BE SUBJECT TO CERTAIN RESTRICTIONS UNDER APPLICABLE EXPORT CONTROL LAWS AND REGULATIONS.</small>			DATE 05-13-1992	DESCRIPTION <b>CONN DIAGRAM-INTERNAL</b> 3 PHASE - DUAL VOLTAGE MOTOR	
			REFERENCE EE7308/EE7300	MATERIAL	PROCESS/FINISH
			THIRD ANGLE PROJECTION	SIZE A	DRAWING NUMBER <b>EE7308T</b>
					SHEET 1 OF 1

CERTIFICATION DATA SHEET

Model#: 56H17E5302 B  
 CONN. DIAGRAM: A-EE7308T  
 OUTLINE: B-105279-631

WINDING#: ZT493 R4 3  
 ASSEMBLY: F3

TYPICAL MOTOR PERFORMANCE DATA

HP	KW	SYNC. RPM	F.L. RPM	FRAME	ENCLOSURE	KVA CODE	DESIGN			
1/3	0.25	1800	1725	56C	EPNV	K	INV			
PH	Hz	VOLTS	FL AMPS	START TYPE	DUTY	INSL	S.F	AMB°C	ELEVATION	
3	60	230/460	1.2/6	INVERTER ONLY	CONTINUOUS	F3	1.0	40	3300	
FULL LOAD EFF: 74.5		3/4 LOAD EFF: 72.5		1/2 LOAD EFF: 67.5		GTD. EFF		ELEC. TYPE		NO LOAD AMPS
FULL LOAD PF: 71		3/4 LOAD PF: 64		1/2 LOAD PF: 52		71.5		SQ CAGE INV DUTY		.8 / .4
F.L. TORQUE		LOCKED ROTOR AMPS		L.R. TORQUE		B.D. TORQUE		F.L. RISE°C		
1 LB-FT		7.2 / 3.6		3.1 LB-FT 310		3.7 LB-FT 370		40		
SOUND PRESSURE @ 3 FT.	SOUND POWER	ROTOR WK^2	MAX. WK^2	SAFE STALL TIME	STARTS / HOUR	APPROX. MOTOR WGT				
62 dBA	72 dBA	0.038 LB-FT^2	0 LB-FT^2	0 SEC.	0	21 LBS.				

EQUIVALENT WYE CKT.PARAMETERS (OHMS PER PHASE)

R1	R2	X1	X2	XM
34.572	24.08	36.55	24.252	675.96
RM	ZREF	XR	TD	TD0
25628	860	1.54	0.0058	0.078

\*\*\* SUPPLEMENTAL INFORMATION \*\*\*

DE BRACKET TYPE	ODE BRACKET TYPE	MOUNT TYPE	ORIENTATION	SEVERE DUTY	HAZARDOUS LOCATION	DRIP COVER	SCREENS	PAINT
C-FACE	STANDARD	RIGID	HORIZONTAL	FALSE	EXP PROOF CL I GR C&D CL II GR F&G T3B	FALSE	NONE	BLACK (POWDER)

BEARINGS		GREASE	SHAFT TYPE	SPECIAL DE	SPECIAL ODE	SHAFT MATERIAL	FRAME MATERIAL
DE	OPE						
BALL	BALL	POLYREX EM	T	NONE	NONE	1144 STRESSPROOF (C-223)	ROLLED STEEL
6203	6203						

THERMO-PROTECTORS				THERMISTORS	CONTROL	SPACE /n HEATERS
THERMOSTATS	PROTECTORS	WDG RTDs	BRG RTDs			
TSTATS (N/C)	NOT	NONE	NONE	NONE	FALSE	NONE VOLTS

If Inverter equals NONE, contact factory for further information

INVERTER TORQUE: CONSTANT 1000:1 INV. HP SPEED RANGE: 2.0 X BASE SPEED
---

\*  
N  
O  
T  
E  
S

\*

ENCODER: NONE			
NONE	NONE		
NONE	NONE	PPR	
BRAKE: NONE NONE			
NONE	P/N	NONE	
NONE	NONE		
NONE FT-LB	NONE V	NONE Hz	

DATE: 06/28/2017 12:50:35 AM  
FORM 3531 REV.3 02/07/99  
\*\* Subject to change without notice.



**MARATHON ELECTRIC CORPORATION**  
TYPICAL PERFORMANCE CURVE for AC MOTOR

Customer

Curve at

460 Volts  
60 HZ  
0.33 HP

HP 0.33

PHASE 3

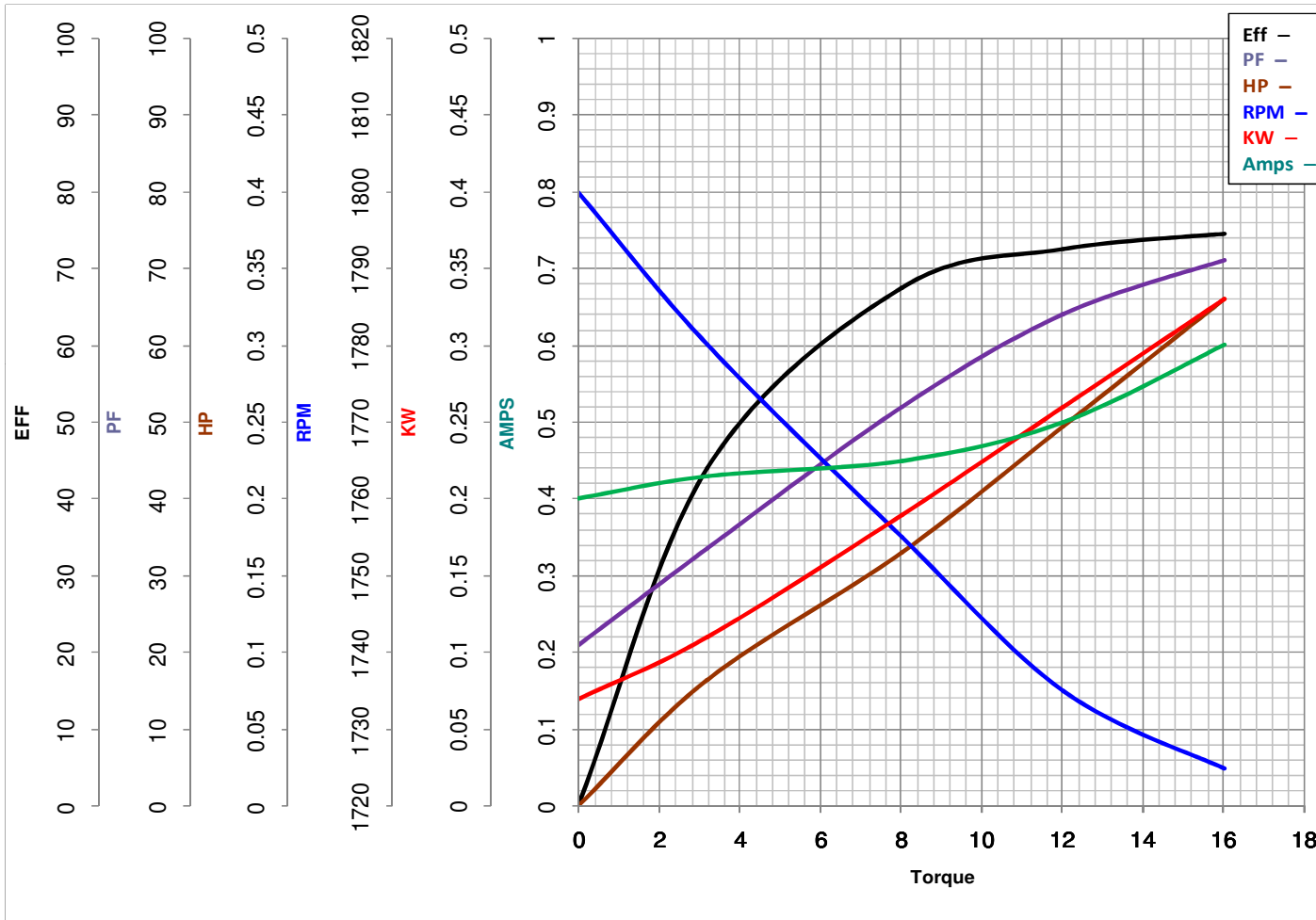
Model No 56H17E5302

VOLTS 230/460

Catalog No Y601

HZ 60

RPM 1725



Torque in Oz.Ft

FL TORQUE 16 Oz.Ft  
BD TORQUE 59.2 Oz.Ft  
LR TORQUE 49.6 Oz.Ft

FL AMPS 1.2/1.6  
PU TORQUE 44.8 Oz.Ft  
LR AMPS 3.6

WINDING ZT493-3

Date 1/24/2019