

PRODUCT INFORMATION PACKET

Model No: 056E17V2005
Catalog No: Z636
0.75 HP Washdown Duty DC Motor, 1750 RPM, 90 V, 56C Frame, TENV
Sub-Fractional Motors



Regal and Marathon are trademarks of Regal Rexnord Corporation or one of its affiliated companies.
©2021 Regal Rexnord Corporation, All Rights Reserved. MC017097E



Nameplate Specifications

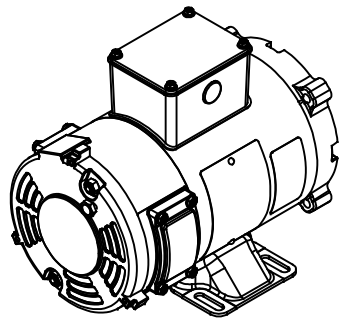
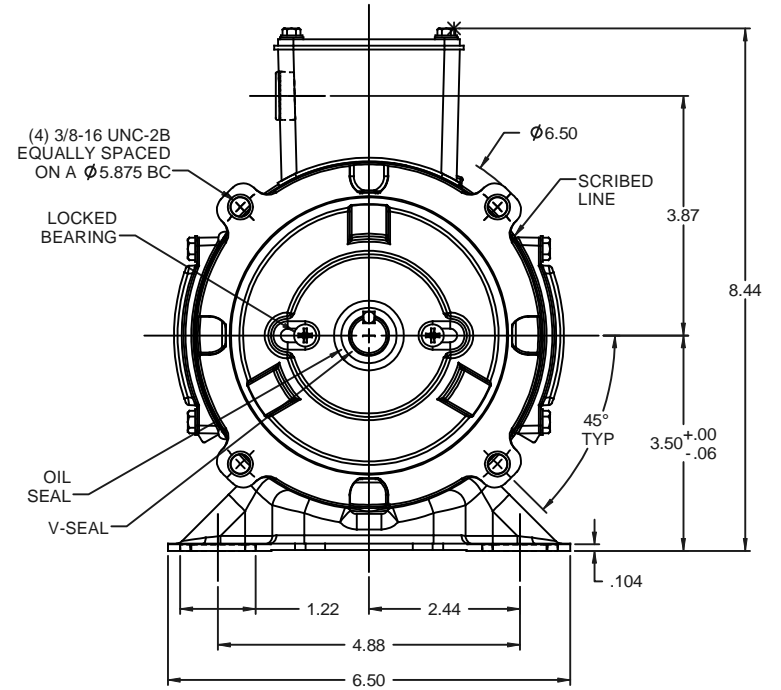
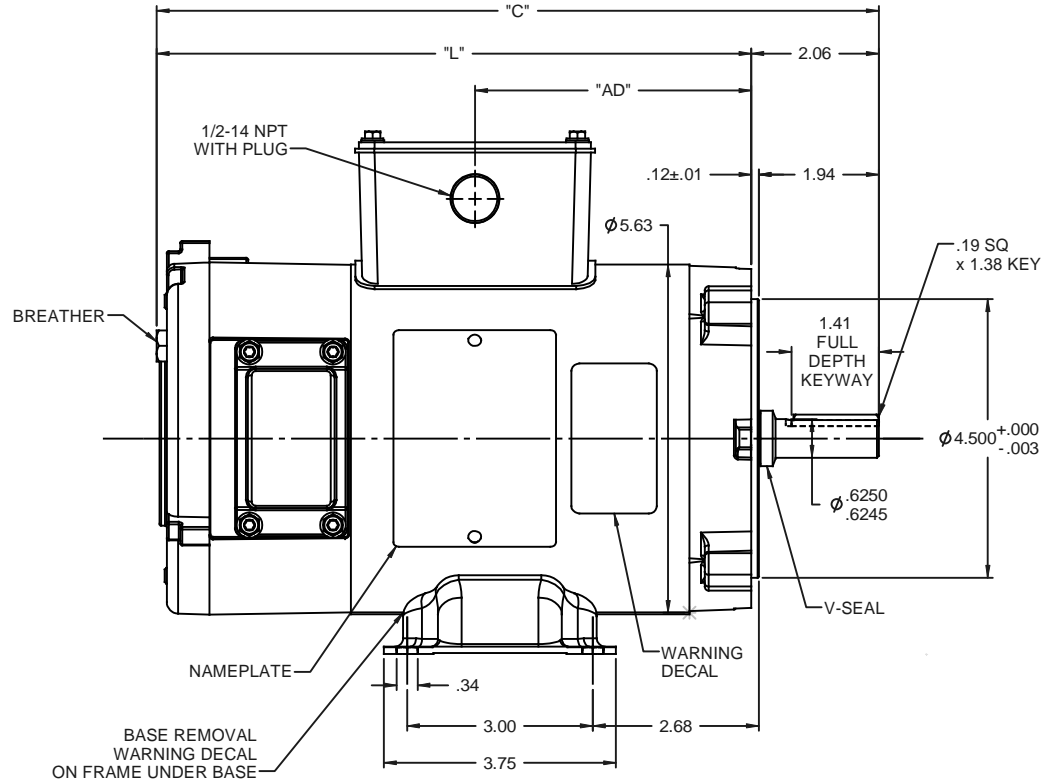
Output HP	0.75 Hp	Output KW	0.56 kW
Voltage	90 V	Current	7.0 A
Speed	1750 rpm	Service Factor	1
Efficiency	85.2 %	Duty	Continuous
Insulation Class	F	Frame	S56C
Enclosure	Totally Enclosed Non Ventilated	Thermal Protection	No
Ambient Temperature	40 °C	Drive End Bearing Size	6203
Opp Drive End Bearing Size	6203	UL	Recognized
CSA	Y	CE	N
Number of Speeds	1		

Technical Specifications

Rotation	Counterclockwise Lead End	Mounting	Rigid C base
Overall Length	14.67 in	Frame Length	8.47 in
Shaft Diameter	0.625 in	Shaft Extension	1.94 in
Torque	27 LB-IN		
Outline Drawing	031927-847	Connection Drawing	00531901

This is an uncontrolled document once printed or downloaded and is subject to change without notice. Date Created:10/06/2021

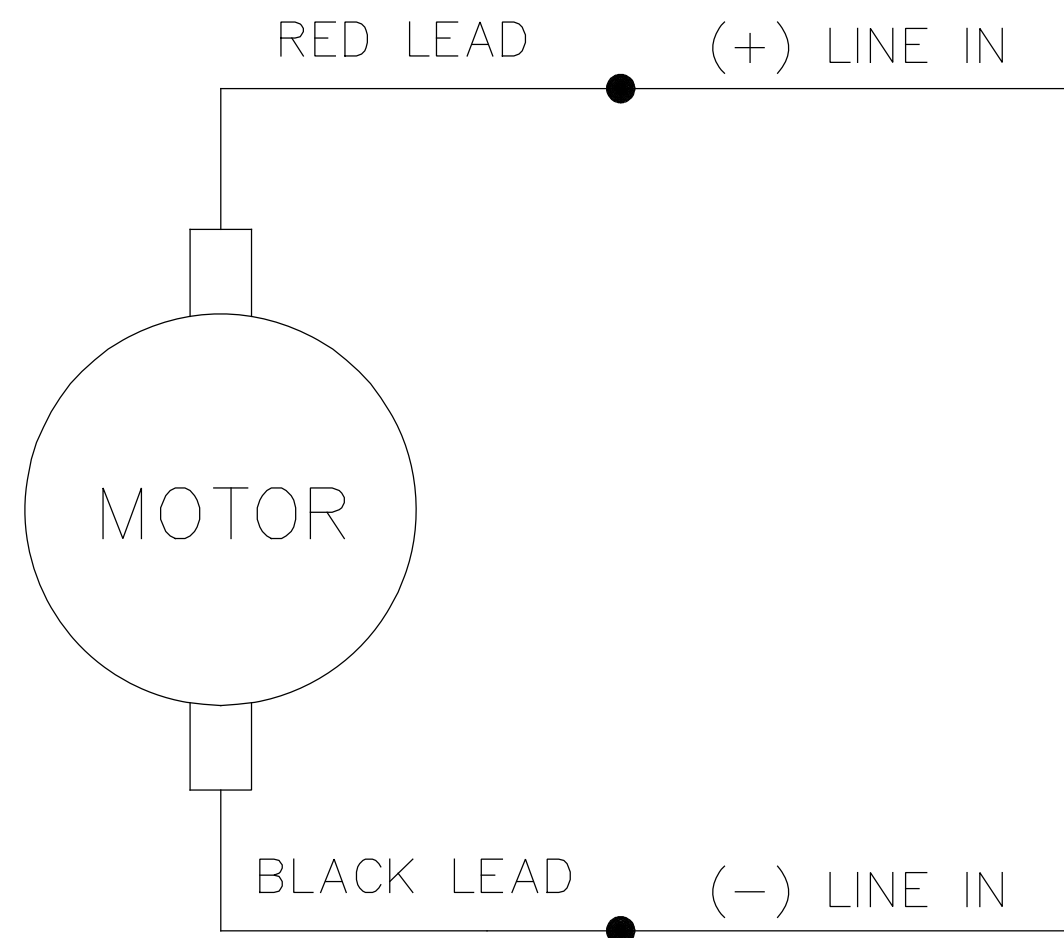
RBC PROPRIETARY AND CONFIDENTIAL INFORMATION
 This document is the property of REGAL BELOIT CORPORATION ("RBC") including its subsidiaries and divisions and contains proprietary information of RBC. This document is loaned on the express condition that neither it nor the information contained therein shall be disclosed to others without the express written consent of RBC, and that the information shall be used by the recipient only as approved expressly by RBC. This document shall be returned to RBC upon its request. This document may be subject to certain restrictions under U.S. export control laws and regulations.



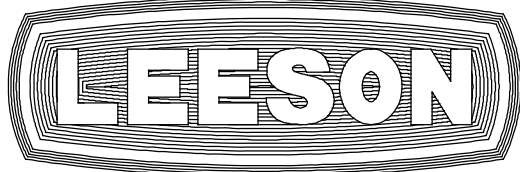
056E17V2006	14.17	12.11	6.96	180	3/4	1750
056E17V2005	14.67	12.61	7.46	90	3/4	1750
056E17V2004	13.67	11.61	6.46	180	1/2	1750
056E17V2003	13.17	11.11	5.96	90	1/2	1750
056E17V2002	11.67	9.61	4.46	90	1/3	1750
056E17V2001	10.67	8.61	3.46	90	1/4	1750
CATALOG No.	"C"	"L"	"AD"	VOLTS	H.P.	RPM

- NOTES:
 1) MAXIMUM FACE RUNOUT .004 T.I.R.
 2) MAXIMUM PILOT ECCENTRICITY .004 T.I.R.
 3) PERMISSIBLE SHAFT RUNOUT .002 T.I.R.
 4) GASKETS THROUGHOUT.

		TOLERANCES UNLESS SPECIFIED		MARATHON ELECTRIC		DRAWN IPG 2/19/09	
		DEC	INCHES			CHK SK 2/19/09	
		x	±.1			APPR	
		.xx	±.03	TITLE OUTLINE		SCALE 1:2	
		.xxx	±.005	48 FRAME DC		REF 031900	
00	RELEASED	IPG	2/19/2009	SK	.xxx	MATL	FMF 056E17V2006
NO	REVISION	BY & DATE	CHK ANG ±1/2°	FINISH		PAGE	OF
	THIRD ANGLE PROJECTION		RFP	PREV		SIZE	DRAWING NO
			NETWORK FILE NAME			B	031927
							REV 00



CONNECTIONS SHOWN FOR CCW ROTATION FACING LEAD END OF THE MOTOR
 TO REVERSE ROTATION INTERCHANGE LINE LEADS

			TOLERANCES UNLESS SPECIFIED			ELECTRIC MOTORS GEARMOTORS AND DRIVES	DRAWN TJF 11/15/97		
			DEC.	INCHES			CHK		
			.X	±.1			APPD	POW 11/15/97	
E	"MOTOR" WAS "ARMATURE", ECO-0163602	IPG 3/14/19	.XX	±.01	TITLE	EXTERNAL WIRING DIAGRAM	SCALE	1=2	
D	UPDATED TO MAKE IT GENERIC, ECO-0163547	IPG 3/13/19	.XXX	±.005		PMDC MOTOR	REF		
01	REDRAWN ON CAD. REVISED NOTES.	SJB 9/20/2005	.XXXX	±.0005	MAT'L.		FMF		
NO.	REVISION	BY & DATE	CHK	ANG	±1/2°	FINISH	PREV		
THIS DRAWING IN DESIGN AND DETAIL IS OUR PROPERTY AND MUST NOT BE USED EXCEPT IN CONNECTION WITH OUR WORK ALL RIGHTS OF DESIGN AND INVENTION ARE RESERVED THIS IS AN ELECTRONICALLY GENERATED DOCUMENT - DO NOT SCALE THIS PRINT			RFP	CAD FILE		00531901	SIZE	DRAWING NO.	REV.
			DIST				A	005319.01	E