





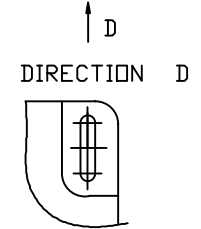
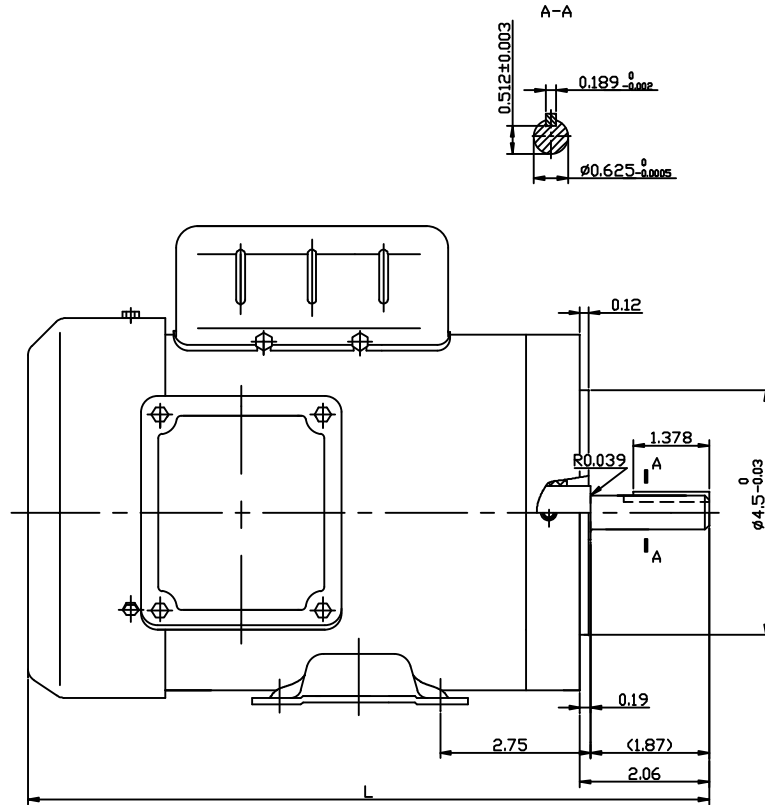
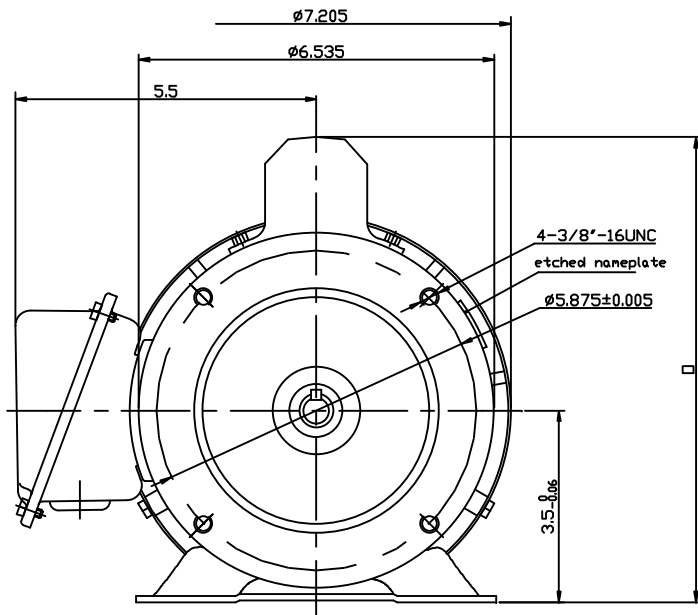
### Nameplate Specifications

Output HP	<b>0.50 Hp</b>	Output KW	<b>0.37 kW</b>
Frequency	<b>60 Hz</b>	Voltage	<b>115/230 V</b>
Current	<b>8.2/4.1 A</b>	Speed	<b>1725 rpm</b>
Service Factor	<b>1.15</b>	Phase	<b>1</b>
Efficiency	<b>61 %</b>	Power Factor	<b>65</b>
Duty	<b>Continuous</b>	Insulation Class	<b>F</b>
Design Code	<b>N</b>	KVA Code	<b>K</b>
Frame	<b>56C</b>	Enclosure	<b>Totally Enclosed Fan Cooled</b>
Thermal Protection	<b>No</b>	Ambient Temperature	<b>40 °C</b>
Drive End Bearing Size	<b>6205</b>	Opp Drive End Bearing Size	<b>6203</b>
UL	<b>Recognized</b>	CSA	<b>N</b>
CE	<b>Y</b>	IP Code	<b>55</b>

### Technical Specifications

Electrical Type	<b>Capacitor Start Induction Run</b>	Starting Method	<b>Across The Line</b>
Poles	<b>4</b>	Rotation	<b>Selective Counterclockwise</b>
Resistance Main	<b>3.42 Ohms</b>	Mounting	<b>Rigid Base</b>
Motor Orientation	<b>Horizontal</b>	Drive End Bearing	<b>Ball</b>
Opp Drive End Bearing	<b>Ball</b>	Frame Material	<b>Stainless Steel</b>
Shaft Type	<b>NEMA 56</b>	Overall Length	<b>11.10 in</b>
Frame Length	<b>5.49 in</b>	Shaft Diameter	<b>0.625 in</b>
Shaft Extension	<b>2.06 in</b>	Assembly/Box Mounting	<b>F1 ONLY</b>
Outline Drawing	<b>16999700</b>	Connection Drawing	<b>005005.01</b>

This is an uncontrolled document once printed or downloaded and is subject to change without notice. Date Created:04/30/2021



LSC NUMBER	CATA. NO.	HP	L	D	VOLT	Hz	POLE	FRAME	ENCLOSURE
N/A	191475.00	1/2	11.1	8.46	115/230	60	4P	56C	TEFC
	191477.00	3/4	11.73	8.86					
	191479.00	1	12.24	9.09					

				TOLERANCES UNLESS OTHERWISE SPECIFIED		191475,191477,191479 OUTLINE			
				DEC.	INCHES	METRIC			
				.X	±.1	±25	DRAWN		
				.XX	±.03	±.76	APPR.		
				.XXX	±.005	±0.127	R.F.P.		
				.XXXX	±.0005	±0.0127	SCALE		
NO.	REVISION	BY & DATE	CHK'D.	FRACTIONS	±1/84	REF.	FINISH 10.09.2012	REV.	DRAWING NO.
THIS DRAWING IN DESIGN AND DETAIL IS OUR PROPERTY AND MUST NOT BE USED EXCEPT IN CONNECTION WITH OUR WORK ALL RIGHTS OF DESIGN AND INVENTION ARE RESERVED THIS IS AN ELECTRONICALLY GENERATED DOCUMENT - DO NOT SCALE THIS PRINT				ANGLES	±1/2°	F/MF			





**MARATHON ELECTRIC CORPORATION**  
TYPICAL PERFORMANCE CURVE for AC MOTOR

Customer

Curve at

230 Volts  
60 HZ  
0.5 HP

HP 0.50

PHASE 1

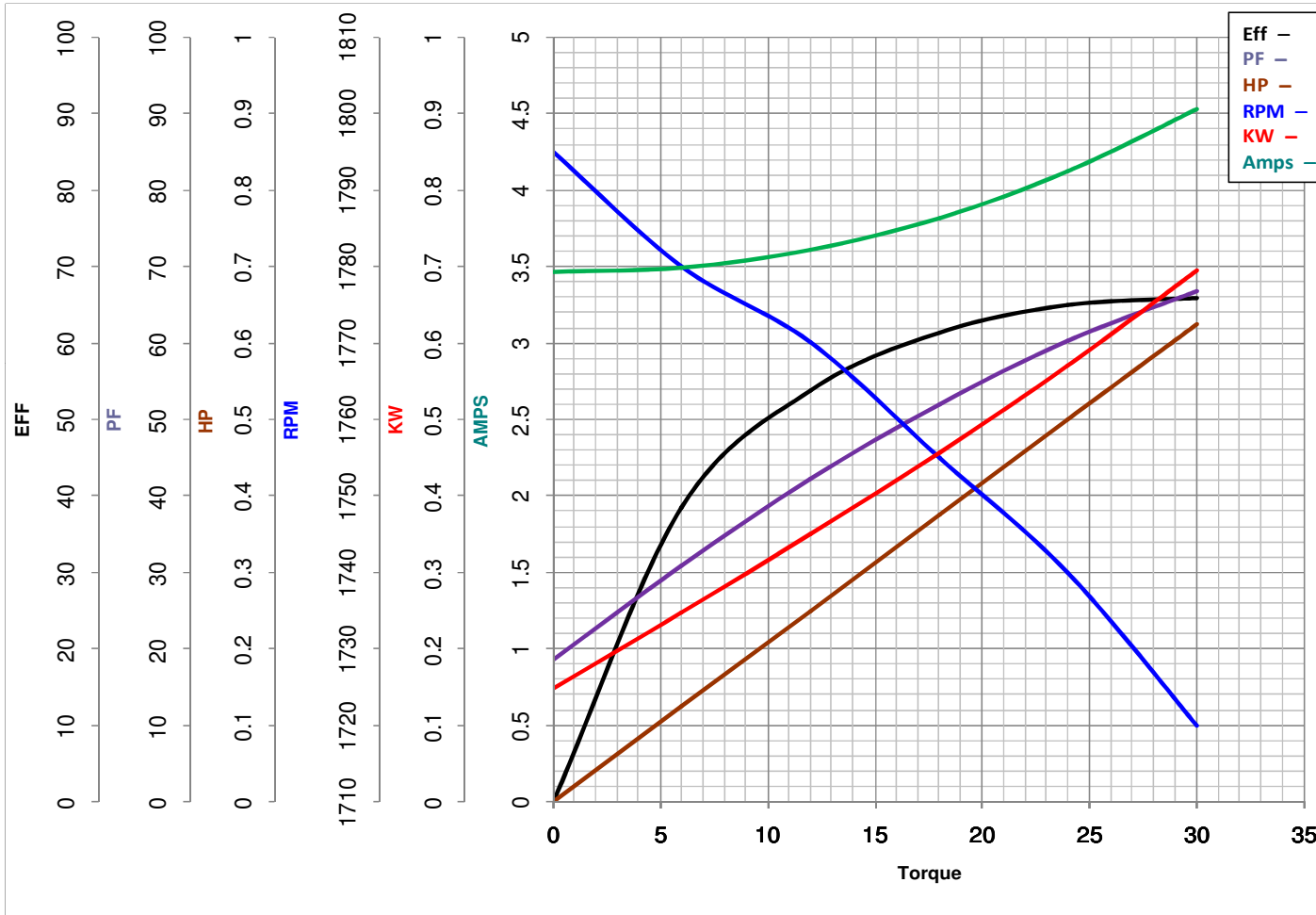
Model No 56C17WD5327

VOLTS 115/230

Catalog No N341

HZ 60

RPM 1725



Torque in Oz.Ft

FL TORQUE 24 Oz.Ft  
BD TORQUE 64.7 Oz.Ft  
LR TORQUE 80.13 Oz.Ft

FL AMPS 8.2/4.1  
PU TORQUE 48.0 Oz.Ft  
LR AMPS 19.96

WINDING QC63414-3

Date 2/5/2019