

PRODUCT INFORMATION PACKET

Model No: 056C17F5327

Catalog No: F104

1 HP General Purpose Farm Duty Motor, 1 phase, 1800 RPM, 115/208-230 V, 56 Frame, TEFC
General Purpose Farm Duty Motors



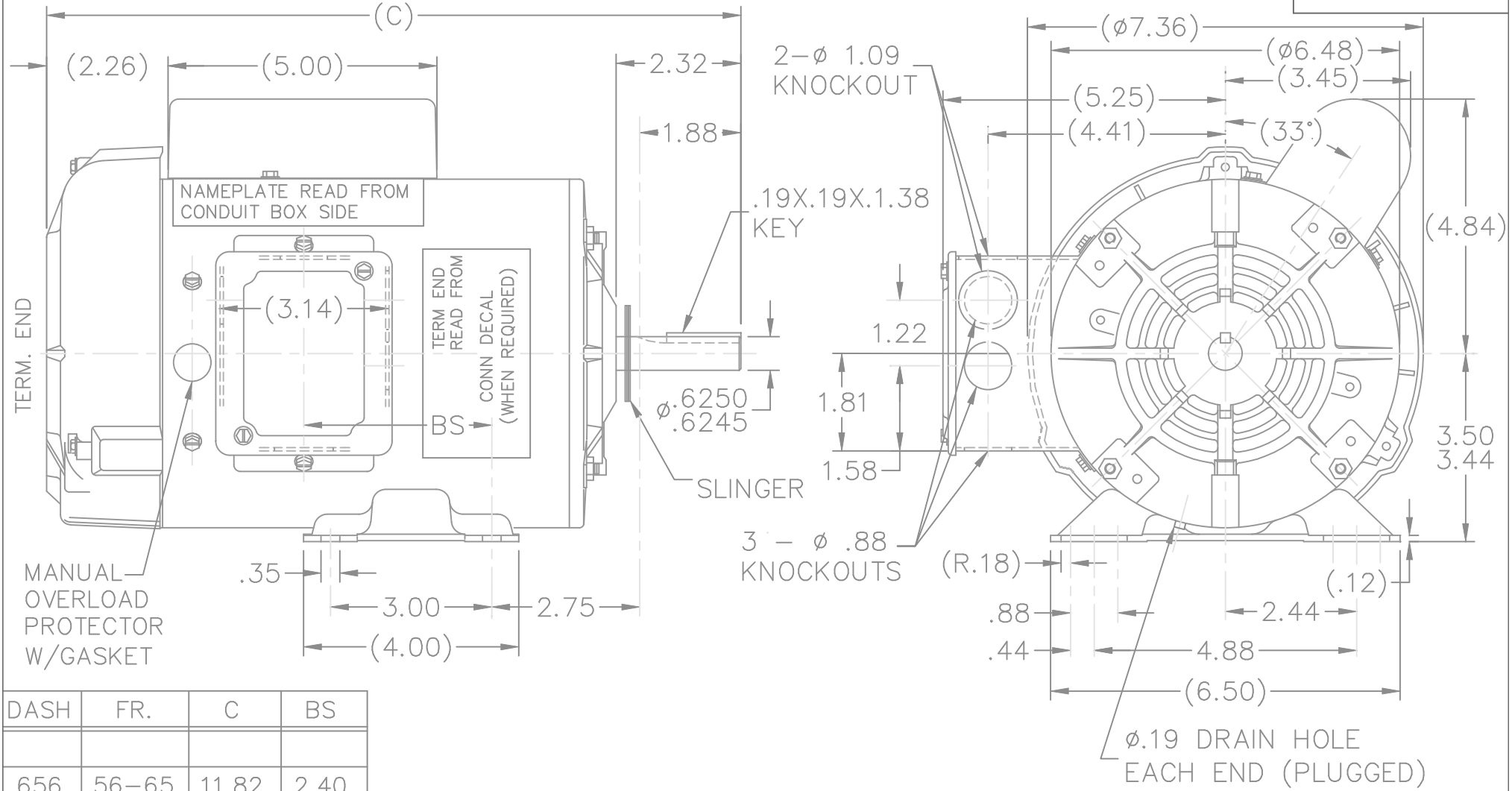
Regal and Marathon are trademarks of Regal Rexnord Corporation or one of its affiliated companies.
©2021 Regal Rexnord Corporation, All Rights Reserved. MC017097E

Nameplate Specifications

Output HP	1 Hp	Output KW	0.75 kW
Frequency	60 Hz	Voltage	115/208-230 V
Current	13.4/6.8-6.7 A	Speed	1725 rpm
Service Factor	1.15	Phase	1
Efficiency	72 %	Power Factor	69.5
Duty	Continuous	Insulation Class	B
Design Code	L	KVA Code	J
Frame	56	Enclosure	Totally Enclosed Fan Cooled
Thermal Protection	Manual	Ambient Temperature	40 °C
Drive End Bearing Size	6203	Opp Drive End Bearing Size	6203
UL	Recognized	CSA	Y
CE	N	IP Code	43
Number of Speeds	1		

Technical Specifications

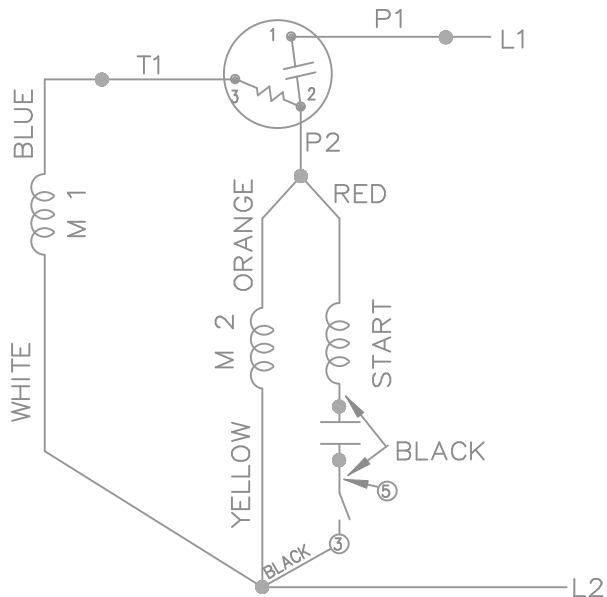
Electrical Type	Capacitor Start Induction Run	Starting Method	Across The Line
Poles	4	Rotation	Selective Counterclockwise
Resistance Main	0 Ohms	Mounting	Rigid Base
Motor Orientation	Horizontal	Drive End Bearing	Ball
Opp Drive End Bearing	Ball	Frame Material	Rolled Steel
Shaft Type	T	Overall Length	12.82 in
Frame Length	7.56 in	Shaft Diameter	0.625 in
Shaft Extension	2.32 in	Assembly/Box Mounting	F1 ONLY
Connection Drawing	A-102005-52	Outline Drawing	A-100137-756



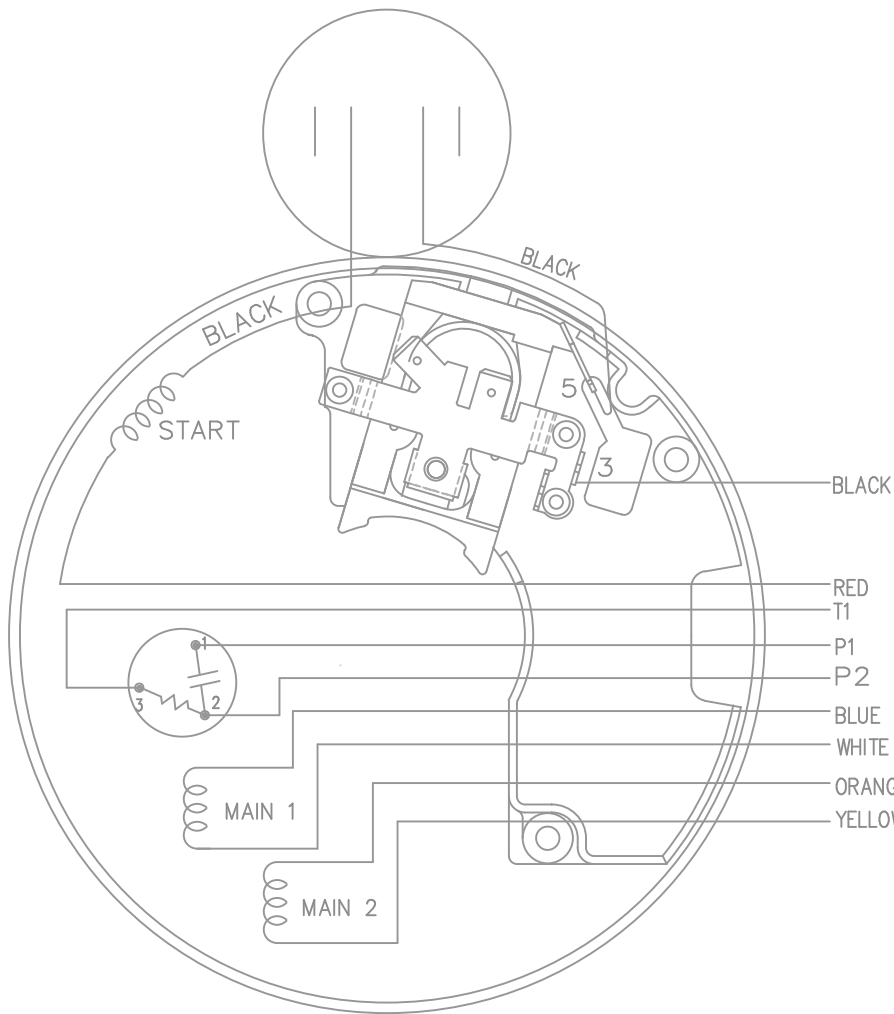
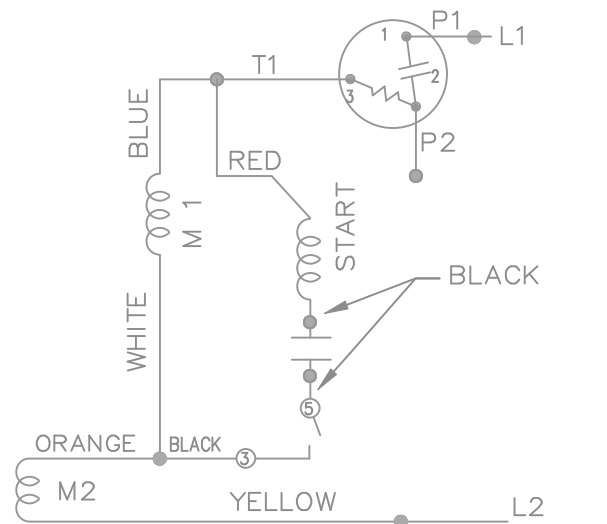
DASH	FR.	C	BS
656	56-65	11.82	2.40
706	56-70	12.32	2.90
756	56-75	12.82	3.40

				TOLERANCES UNLESS SPECIFIED		MARATHON ELECTRIC	DRAWN ML 01-11-1992						
				DEC.	INCHES		CHK	GK	01-12-1992				
				.X	±.1	TITLE OUTLINE 56 FRAME - BB - TEFC - 1 ϕ	APPD	FG	01-12-1992	SCALE	3=8		
4	REDRAWN IN AUTOCAD	TAT	06-13-2005	ML	.XXX		±.005	REF					
3	REDRAWN ON CAD, ADDED CONN. DECAL CN 13879	ML	01-12-1992		.XXXX		±.0005	FMF					
NO.	REVISION	BY & DATE	CHK	ANG	±7'30"	FINISH	PREV						
THIS DRAWING IN DESIGN AND DETAIL IS OUR PROPERTY AND MUST NOT BE USED EXCEPT IN CONNECTION WITH OUR WORK ALL RIGHTS OF DESIGN AND INVENTION ARE RESERVED THIS IS AN ELECTRONICALLY GENERATED DOCUMENT - DO NOT SCALE THIS PRINT						RFP	CAD FILE	100137	SIZE	DRAWING NO.	PAGE	OF	REV.
						DIST	WP	A	100137	4	4		

LOW VOLTAGE - CCW

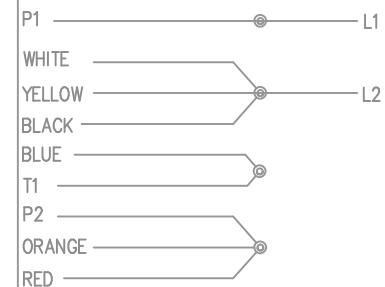


HIGH VOLTAGE - CCW

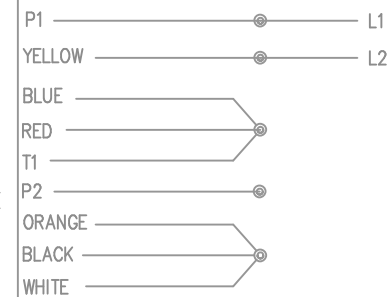


DUAL VOLTAGE
CAPACITOR START
OVERLOAD
SELECT ROTATION

LOW VOLT. CCW ROT.



HIGH VOLT. CCW ROT.



FOR CW ROTATION
EITHER VOLTAGE
INTERCHANGE RED
WITH BLACK

			TOLERANCES UNLESS SPECIFIED		MARATHON ELECTRIC	DRAWN BRH 02-29-1996		
			DEC.	INCHES		CHK ML 03-06-1996		
			.X	±.1	TITLE CONNECTION DIAGRAM	APPD GK 03-06-1996	SCALE 5=8	
6	REISSUE	BRH 03-13-1996	.XXX	±.005		REF		
5	REDRAWN ON CADD	BRH 03-06-1996	.XXXX	±.0005		MAT'L.	FMF	
NO.	REVISION	BY & DATE	CHK ANG	±7'30"		FINISH	PREV	
THIS DRAWING IN DESIGN AND DETAIL IS OUR PROPERTY AND MUST NOT BE USED EXCEPT IN CONNECTION WITH OUR WORK ALL RIGHTS OF DESIGN AND INVENTION ARE RESERVED THIS IS AN ELECTRONICALLY GENERATED DOCUMENT - DO NOT SCALE THIS PRINT			RFP	CAD FILE 102005-52		SIZE A	DRAWING NO. 102005-52	PAGE OF 6
			DIST WP					REV. 6

CERTIFICATION DATA SHEET

Model#: 56C17F5327 H
CONN. DIAGRAM: A-102005-52
OUTLINE: A-100137-756

WINDING#: ZC407 NONE 3
ASSEMBLY: F1 ONLY

TYPICAL MOTOR PERFORMANCE DATA

HP	KW	SYNC. RPM	F.L. RPM	FRAME	ENCLOSURE	KVA CODE	DESIGN
1	.75	1800	1725	56	TEFC	J	L

PH	Hz	VOLTS	FL AMPS	START TYPE	DUTY	INSL	S.F	AMB°C	ELEVATION
1	60	115/208-230	13.4/6.8-6.7	ACROSS THE LINE	CONTINUOUS	B3	1.15	40	3300

FULL LOAD EFF: 72	3/4 LOAD EFF: 70	1/2 LOAD EFF: 64.3	GTD. EFF	ELEC. TYPE	NO LOAD AMPS
FULL LOAD PF: 69.5	3/4 LOAD PF: 60.5	1/2 LOAD PF: 49	0	CAP START IND RUN	8.8 / 4.4

F.L. TORQUE	LOCKED ROTOR AMPS	L.R. TORQUE	B.D. TORQUE	F.L. RISE°C
48.3 LB-FT	69.4 / 34.7	145 LB-FT 0	122 LB-FT 0	-

SOUND PRESSURE @ 3 FT.	SOUND POWER	ROTOR WK^2	MAX. WK^2	SAFE STALL TIME	STARTS / HOUR	APPROX. MOTOR WGT
0 dBA	10 dBA	0 LB-FT^2	0 LB-FT^2	0 SEC.	0	0 LBS.

***** SUPPLEMENTAL INFORMATION *****

DE BRACKET TYPE	ODE BRACKET TYPE	MOUNT TYPE	ORIENTATION	SEVERE DUTY	HAZARDOUS LOCATION	DRIP COVER	SCREENS	PAINT
STANDARD	BRAKE	RIGID	HORIZONTAL	FALSE	NONE	FALSE	NONE	GRAY (POWDER)

BEARINGS		GREASE	SHAFT TYPE	SPECIAL DE	SPECIAL ODE	SHAFT MATERIAL	FRAME MATERIAL
DE	OPE						
BALL	BALL	POLYREX EM	T	NONE	NONE	1144 STRESSPROOF (C-223)	ROLLED STEEL
6203	6203						

THERMO-PROTECTORS				THERMISTORS	CONTROL	SPACE /n HEATERS
THERMOSTATS	PROTECTORS	WDG RTDs	BRG RTDs			
NONE	MANUAL	NONE	NONE	NONE	FALSE	NONE VOLTS

If Inverter equals NONE, contact factory for further information

*
N
O
T
E
S
*

INVERTER TORQUE: NONE
INV. HP SPEED RANGE: NONE
ENCODER: NONE
NONE NONE
NONE NONE PPR
BRAKE: PROVISIONS FOR KIT NONE
NONE P/N NONE
NONE NONE
NONE FT-LB NONE V NONE Hz

DATE: 06/27/2017 07:06:20 AM
 FORM 3531 REV.3 02/07/99
 ** Subject to change without notice.



MARATHON ELECTRIC CORPORATION
TYPICAL PERFORMANCE CURVE for AC MOTOR

Customer

Curve at

230 Volts
60 HZ
1 HP

HP 1.00

PHASE 1

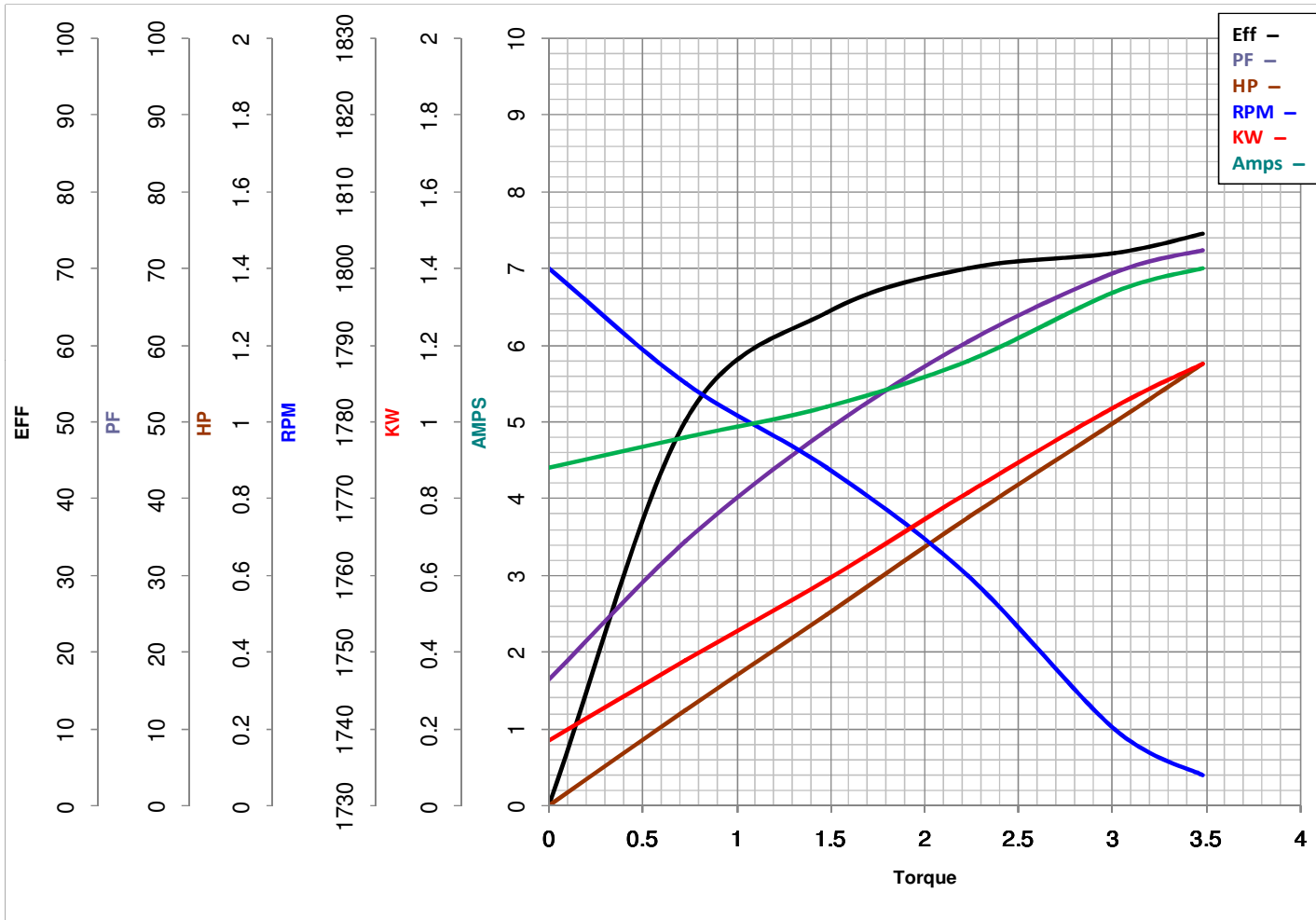
Model No 56C17F5327

VOLTS 115/208-230

Catalog No F104

HZ 60

RPM 1725



Torque in LB-FT

FL TORQUE	<u>3.018</u>	LB-FT	FL AMPS	<u>13.4/6.8-6.7</u>
BD TORQUE	<u>7.6</u>	LB-FT	PU TORQUE	<u>6.3</u> LB-FT
LR TORQUE	<u>8.9</u>	LB-FT	LR AMPS	<u>34.7</u>
WINDING	ZC407-3		Date	1/9/2019