

# PRODUCT INFORMATION PACKET

Model No: 056B17F5584

Catalog No: F135

1.50 HP General Purpose Farm Duty Motor, 1 phase, 1800 RPM, 115/208-230 V, 56HC Frame, TEFC  
General Purpose Farm Duty Motors



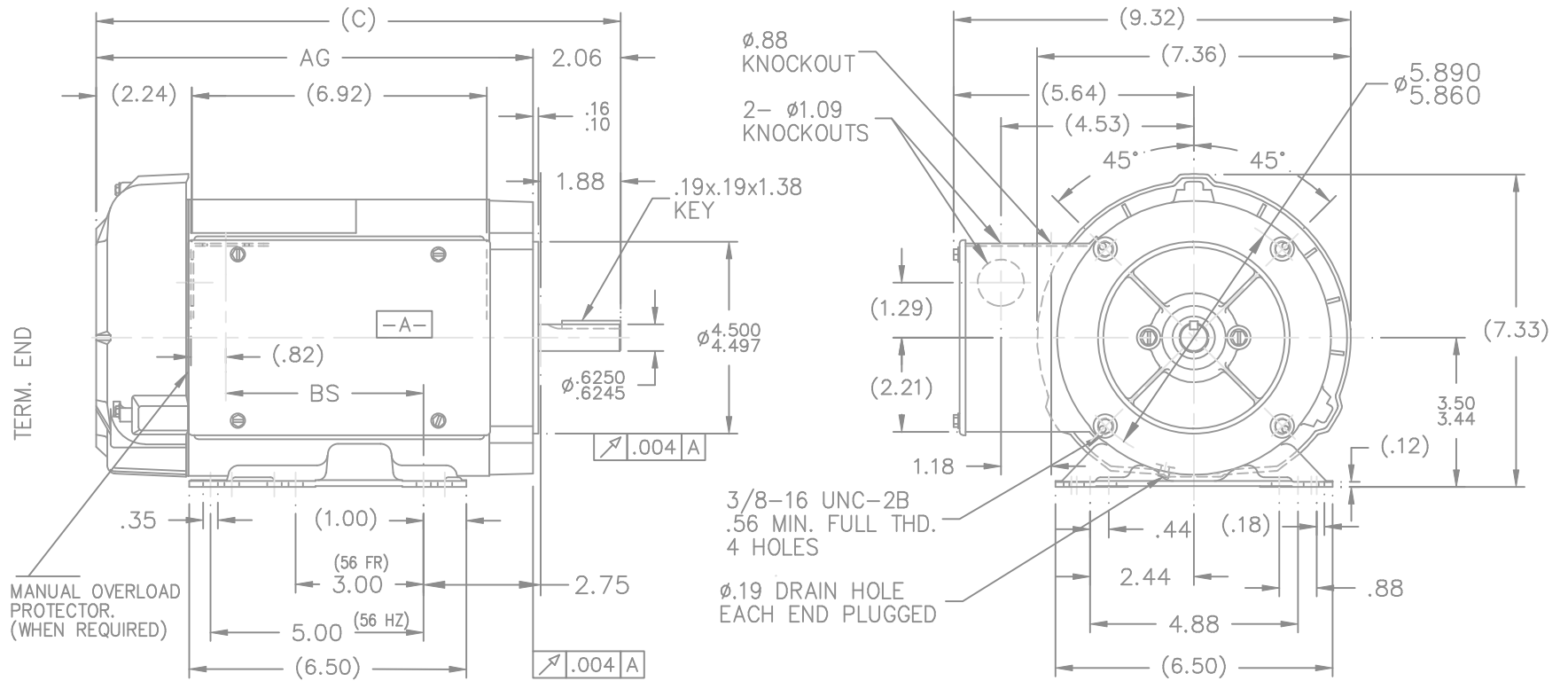
Regal and Marathon are trademarks of Regal Rexnord Corporation or one of its affiliated companies.  
©2021 Regal Rexnord Corporation, All Rights Reserved. MC017097E

### Nameplate Specifications

Output HP	1.50 Hp	Output KW	1.1 kW
Frequency	60 Hz	Voltage	115/208-230 V
Current	15.2/8.2-7.6 A	Speed	1725 rpm
Service Factor	1.15	Phase	1
Efficiency	80 %	Power Factor	80
Duty	Continuous	Insulation Class	B
Design Code	N	KVA Code	J
Frame	56HC	Enclosure	Totally Enclosed Fan Cooled
Thermal Protection	Manual	Ambient Temperature	40 °C
Drive End Bearing Size	6203	Opp Drive End Bearing Size	6203
UL	Recognized ( Not Protector)	CSA	Y
CE	Y	IP Code	43
Number of Speeds	1		

### Technical Specifications

Electrical Type	Capacitor Start Induction Run	Starting Method	Across The Line
Poles	4	Rotation	Selective Counterclockwise
Resistance Main	0 Ohms	Mounting	Rigid Base
Motor Orientation	Horizontal	Drive End Bearing	Ball
Opp Drive End Bearing	Ball	Frame Material	Rolled Steel
Shaft Type	T	Overall Length	13.82 in
Frame Length	8.56 in	Shaft Diameter	0.625 in
Shaft Extension	2.06 in	Assembly/Box Mounting	F1 ONLY
Outline Drawing	A-104450-856	Connection Drawing	102006-52

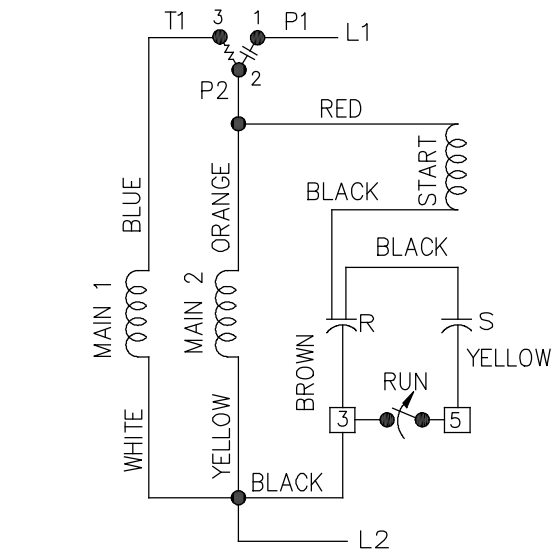


NOTE:  
1- NAMEPLATE READ FROM C'BOX SIDE.

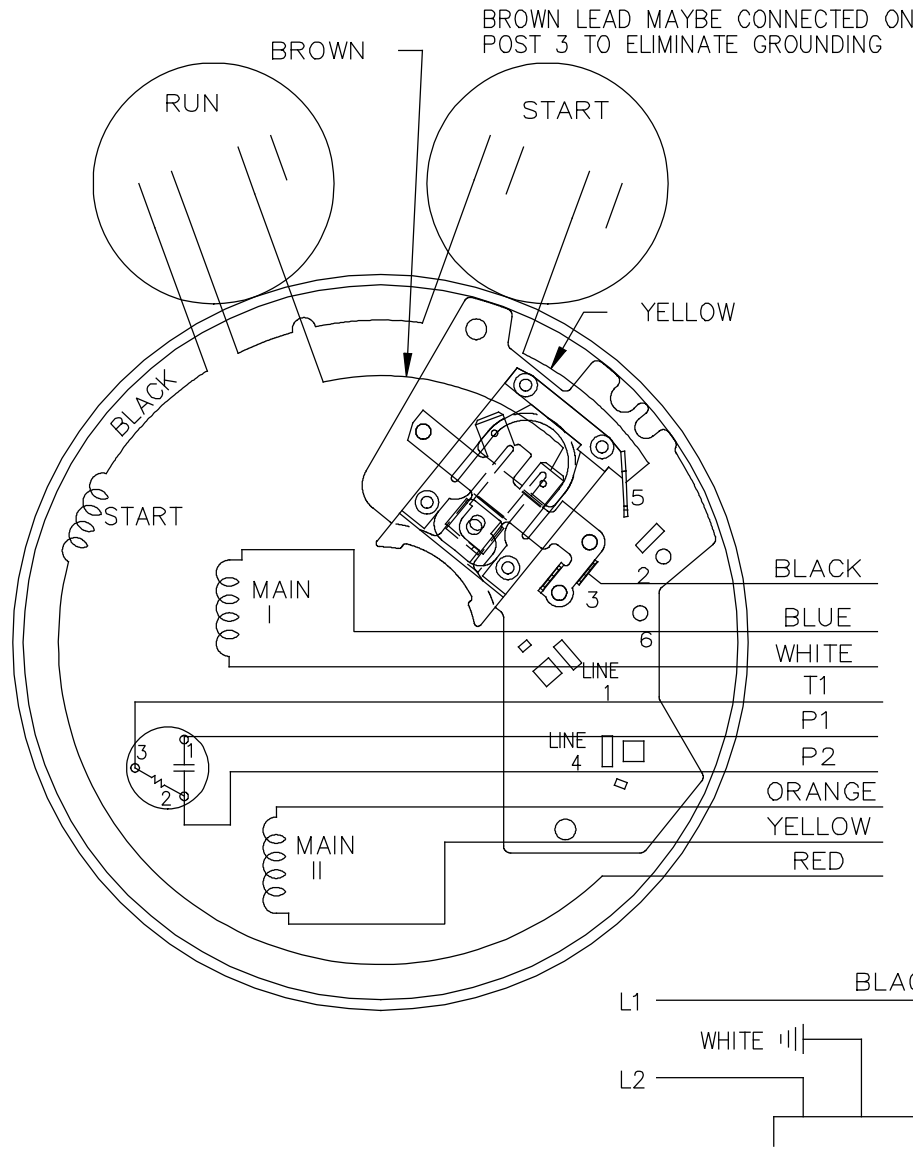
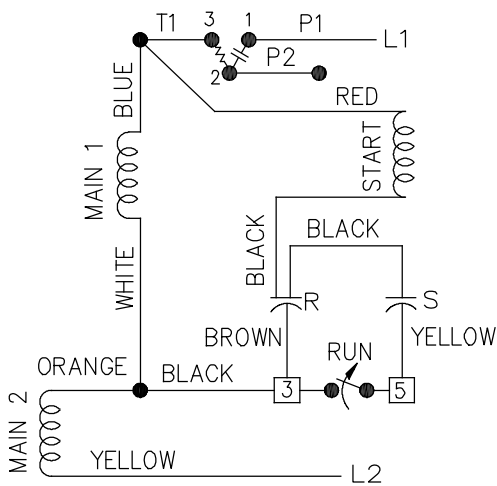
DASH	FRAME	C	AG	BS	DASH	FRAME	C	AG	BS
706	56-70	12.32	10.25	4.64	856	56-85	13.82	11.75	6.14
756	56-75	12.82	10.75	5.14	956	56-95	14.82	12.75	7.14
806	56-80	13.32	11.25	5.64	1006	56-100	15.32	13.25	7.64

				TOLERANCES UNLESS SPECIFIED		MARATHON ELECTRIC	DRAWN MH 05-14-1998				
				DEC.	INCHES		CHK	ML	05-15-1998		
				.X	±.1	TITLE OUTLINE 56 FR. - TEFC - C'FACE - 1Ø	APPD	DAR	05-18-1998	SCALE	1=4
2	ADDED NOTE SECTION	CN 24300-474	DRS	.XX	±.03		REF				
1	NEW DRAWING	MU19807	MH 05-18-1998	.XXX	±.005	MAT'L.	FMF				
NO.	REVISION		BY & DATE	CHK	ANG	FINISH	PREV				
THIS DRAWING IN DESIGN AND DETAIL IS OUR PROPERTY AND MUST NOT BE USED EXCEPT IN CONNECTION WITH OUR WORK ALL RIGHTS OF DESIGN AND INVENTION ARE RESERVED THIS IS AN ELECTRONICALLY GENERATED DOCUMENT - DO NOT SCALE THIS PRINT				RFP		CAD FILE 104450	SIZE	DRAWING NO.	PAGE	OF	REV.
				DIST	WP		A	104450			2

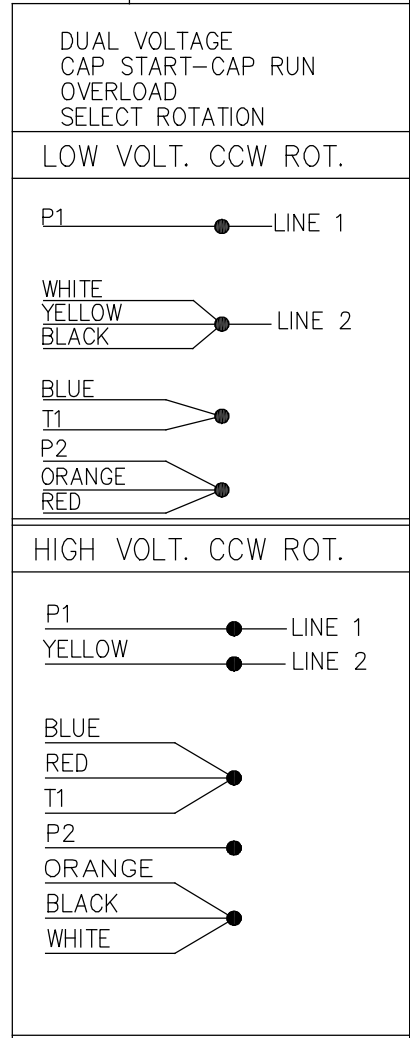
LOW VOLTAGE C.C.W.




HIGH VOLTAGE C.C.W.



BROWN LEAD MAYBE CONNECTED ON POST 3 TO ELIMINATE GROUNDING



FOR CW ROT. EITHER VOLTAGE INTERCHANGE RED WITH BLACK LEAD.

14	UDATED LOGO TO REGAL	SN 01-09-2020		TOLERANCES UNLESS SPECIFIED		 <b>Regal Beloit America, Inc.</b>	DRAWN ML 05-09-1992			
13	CHG'ED SWITCH TO OPEN WHEN RUNNING ISAAC 11-2715	KBB 06-23-2011	EH	DEC.	INCHES		CHK GK 05-09-1992			
12	REMOVE 1,2,3 & 4 ON LOW & HIGH VOLT CN 31436	TJB 02-14-2002	DRS	.X	±.1	APPD FG 05-09-1992				
11	REMOVE BRAKE VIEW CN 31436	TJB 01-30-2002	DRS	.XX	±.02	TITLE CONNECTION DIAGRAM	SCALE 5=8			
10	ADDED BROW LEAD DETAIL NOTE CN 24300-323	BJW 02-28-2000		.XXX	±.005		REF			
9	ADDED CORD VIEW MU20434	BLR 07-01-1998		.XXXX	±.0005	MAT'L.	FMF			
NO.	REVISION	BY & DATE	CHK	ANG	±7'30"	FINISH	PREV			
THIS DRAWING IN DESIGN AND DETAIL IS OUR PROPERTY AND MUST NOT BE USED EXCEPT IN CONNECTION WITH OUR WORK ALL RIGHTS OF DESIGN AND INVENTION ARE RESERVED THIS IS AN ELECTRONICALLY GENERATED DOCUMENT - DO NOT SCALE THIS PRINT			RFP	CAD FILE 102006-52			SIZE A	DRAWING NO. 102006-52	PAGE OF 14	REV. 14
			DIST	WP						

**CERTIFICATION DATA SHEET**

**Model#:** 56B17F5584 E  
**CONN. DIAGRAM:** 102006-52  
**OUTLINE:** A-104450-856

**WINDING#:** ZB406 NONE 3  
**ASSEMBLY:** F1 ONLY

**TYPICAL MOTOR PERFORMANCE DATA**

HP	KW	SYNC. RPM	F.L. RPM	FRAME	ENCLOSURE	KVA CODE	DESIGN
1 1/2&1	1.12&.75	1800	1725&1425	56HC	TEFC	J	N

PH	Hz	VOLTS	FL AMPS	START TYPE	DUTY	INSL	S.F	AMB°C	ELEVATION
1	60/50	115/208-230#110/220	15.2/8.2-7.6&15.6/7.8	ACROSS THE LINE	CONTINUOUS	B3	1.15/1.0	40	3300

FULL LOAD EFF: 80&71	3/4 LOAD EFF: 80.5	1/2 LOAD EFF: 76.1	GTD. EFF	ELEC. TYPE	NO LOAD AMPS
FULL LOAD PF: 80&58	3/4 LOAD PF: 71.2	1/2 LOAD PF: 61	0	CAP START IND RUN	8.1 / 4.1

F.L. TORQUE	LOCKED ROTOR AMPS	L.R. TORQUE	B.D. TORQUE	F.L. RISE°C
4.51 LB-FT	107.6 / 53.8	14.8 LB-FT 328	12.4 LB-FT 275	70

SOUND PRESSURE @ 3 FT.	SOUND POWER	ROTOR WK^2	MAX. WK^2	SAFE STALL TIME	STARTS /HOUR	APPROX. MOTOR WGT
0 dBA	10 dBA	0 LB-FT^2	0 LB-FT^2	0 SEC.	0	0 LBS.

**\*\*\* SUPPLEMENTAL INFORMATION \*\*\***

DE BRACKET TYPE	ODE BRACKET TYPE	MOUNT TYPE	ORIENTATION	SEVERE DUTY	HAZARDOUS LOCATION	DRIP COVER	SCREENS	PAINT
C-FACE	BRAKE	RIGID	HORIZONTAL	FALSE	NONE	FALSE	NONE	GRAY (POWDER)

BEARINGS		GREASE	SHAFT TYPE	SPECIAL DE	SPECIAL ODE	SHAFT MATERIAL	FRAME MATERIAL
DE	OPE						
BALL	BALL	POLYREX EM	T	NONE	NONE	1144 STRESSPROOF (C-223)	ROLLED STEEL
6203	6203						

THERMO-PROTECTORS				THERMISTORS	CONTROL	SPACE /n HEATERS
THERMOSTATS	PROTECTORS	WDG RTDs	BRG RTDs			
NONE	MANUAL	NONE	NONE	NONE	FALSE	NONE VOLTS

If Inverter equals NONE, contact factory for further information

\*  
N  
O  
T  
E  
S  
\*

INVERTER TORQUE: NONE
INV. HP SPEED RANGE: NONE
ENCODER: NONE
NONE NONE
NONE NONE PPR
BRAKE: PROVISIONS ONLY NONE
STEARNS P/N NONE
56,000 NONE
10 FT-LB NONE V NONE Hz

DATE: 06/27/2017 06:09:31 AM  
 FORM 3531 REV.3 02/07/99

\*\* Subject to change without notice.



**MARATHON ELECTRIC CORPORATION**  
TYPICAL PERFORMANCE CURVE for AC MOTOR

Customer

Curve at

460 Volts  
60 HZ  
1.5 HP

HP 1.5&1

PHASE 1

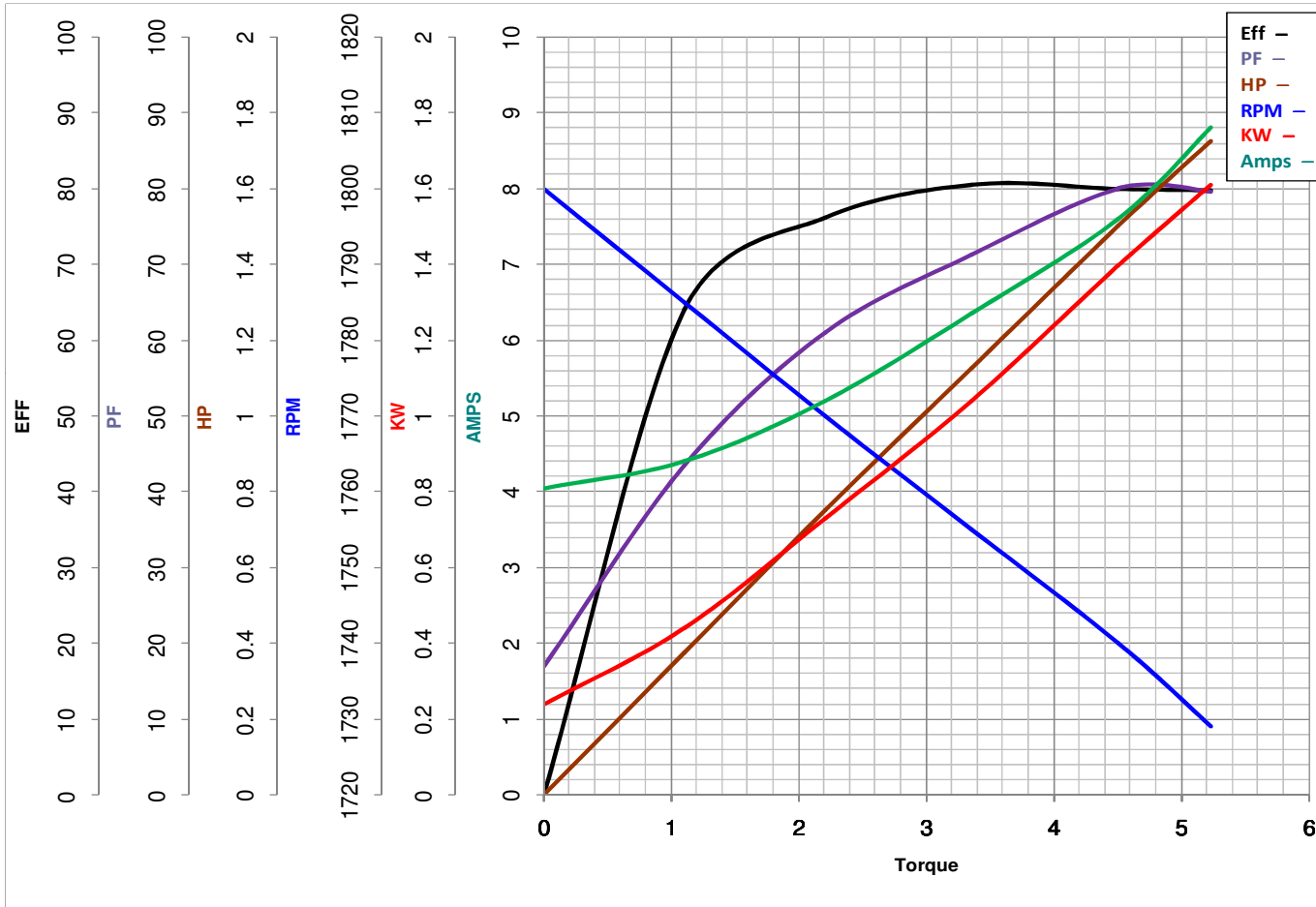
Model No 56B17F5584

VOLTS 115/208-230&110/220

Catalog No F135

HZ 60&50

RPM 1725&1425



Torque in Lb.Ft

FL TORQUE 4.51 Lb.Ft  
BD TORQUE 12.4 Lb.Ft  
LR TORQUE 14.8 Lb.Ft

FL AMPS 15.2/8.2-7.6  
PU TORQUE 12.6 Lb.Ft  
LR AMPS 53.8

WINDING ZB406-3

Date 1/17/2019