

PRODUCT INFORMATION PACKET

Model No: 048A11O2009

Catalog No: X062

0.50 HP 3 speed Fan and Blower HVAC/R Motor, 1 phase, 1200 RPM, 208-230 V, 48Y Frame, OPAO
Direct Drive Motors



Regal and Marathon are trademarks of Regal Beloit Corporation or one of its affiliated companies.
©2021 Regal Beloit Corporation, All Rights Reserved. MC017097E



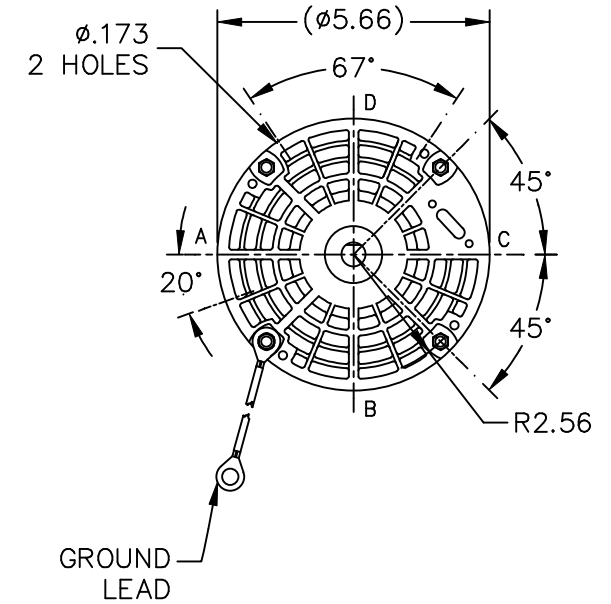
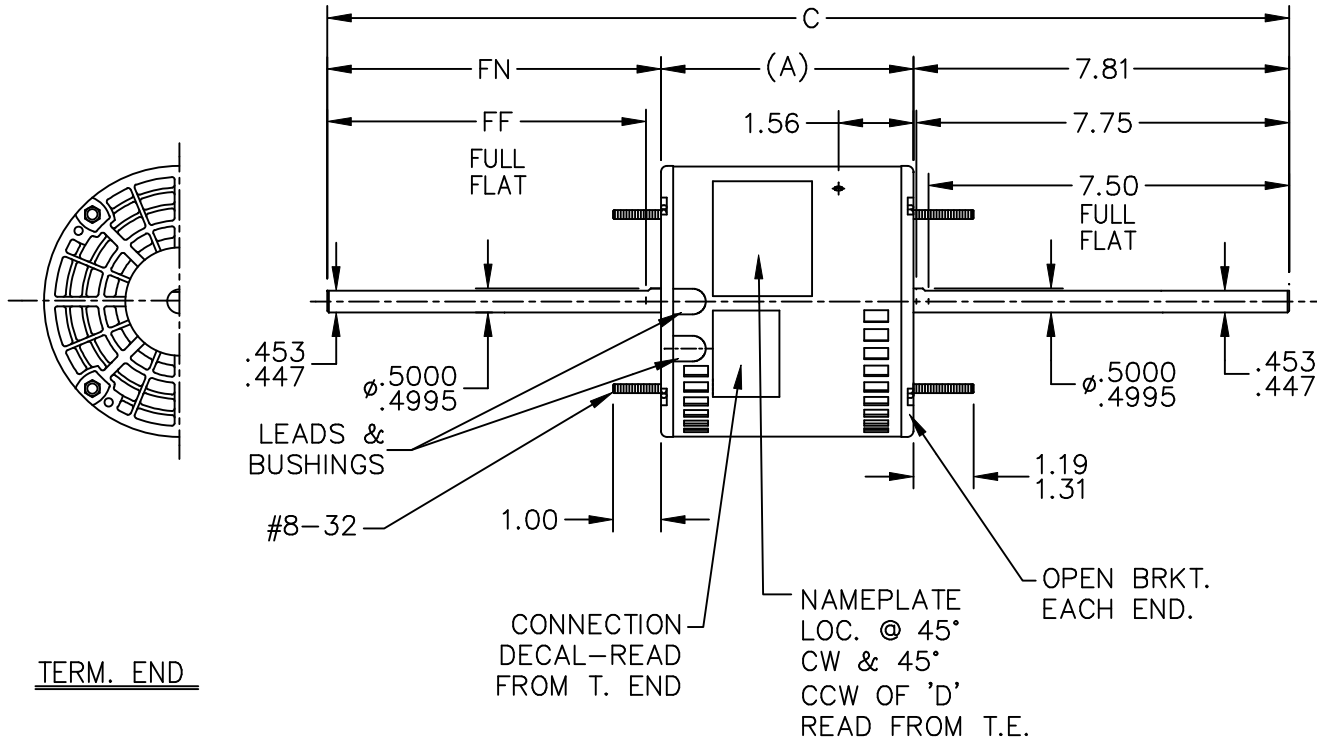
Nameplate Specifications

Output HP	0.50 Hp	Output KW	0.37 kW
Frequency	60 Hz	Voltage	208-230 V
Current	4.7 A	Speed	1075 rpm
Service Factor	1	Phase	1
Efficiency	66.2 %	Power Factor	82.3
Duty	Continuous	Insulation Class	B
Design Code	NO DESIGN CODE	KVA Code	D
Frame	48Y	Enclosure	Open Air Over
Thermal Protection	Automatic Lock Rotor Only	Ambient Temperature	40 °C
Drive End Bearing Size	6203	Opp Drive End Bearing Size	6203
UL	Recognized	CSA	Y
CE	N	IP Code	10

Technical Specifications

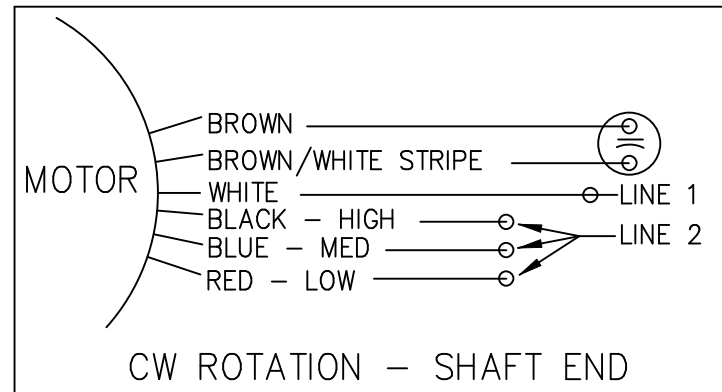
Electrical Type	Permanent Split Capacitor	Starting Method	Across The Line
Poles	6	Rotation	Fixed Counterclockwise
Resistance Main	0 Ohms	Mounting	Round - Extended Studs
Motor Orientation	Horizontal	Drive End Bearing	Ball
Opp Drive End Bearing	Ball	Frame Material	Rolled Steel
Shaft Type	Special Extension Both Sides	Overall Length	20.00 in
Frame Length	5.00 in	Shaft Diameter	0.500 in
Shaft Extension	7.81 in	Assembly/Box Mounting	F1 ONLY
Outline Drawing	A-SS403676-500	Connection Drawing	6906495

This is an uncontrolled document once printed or downloaded and is subject to change without notice. Date Created:04/30/2021

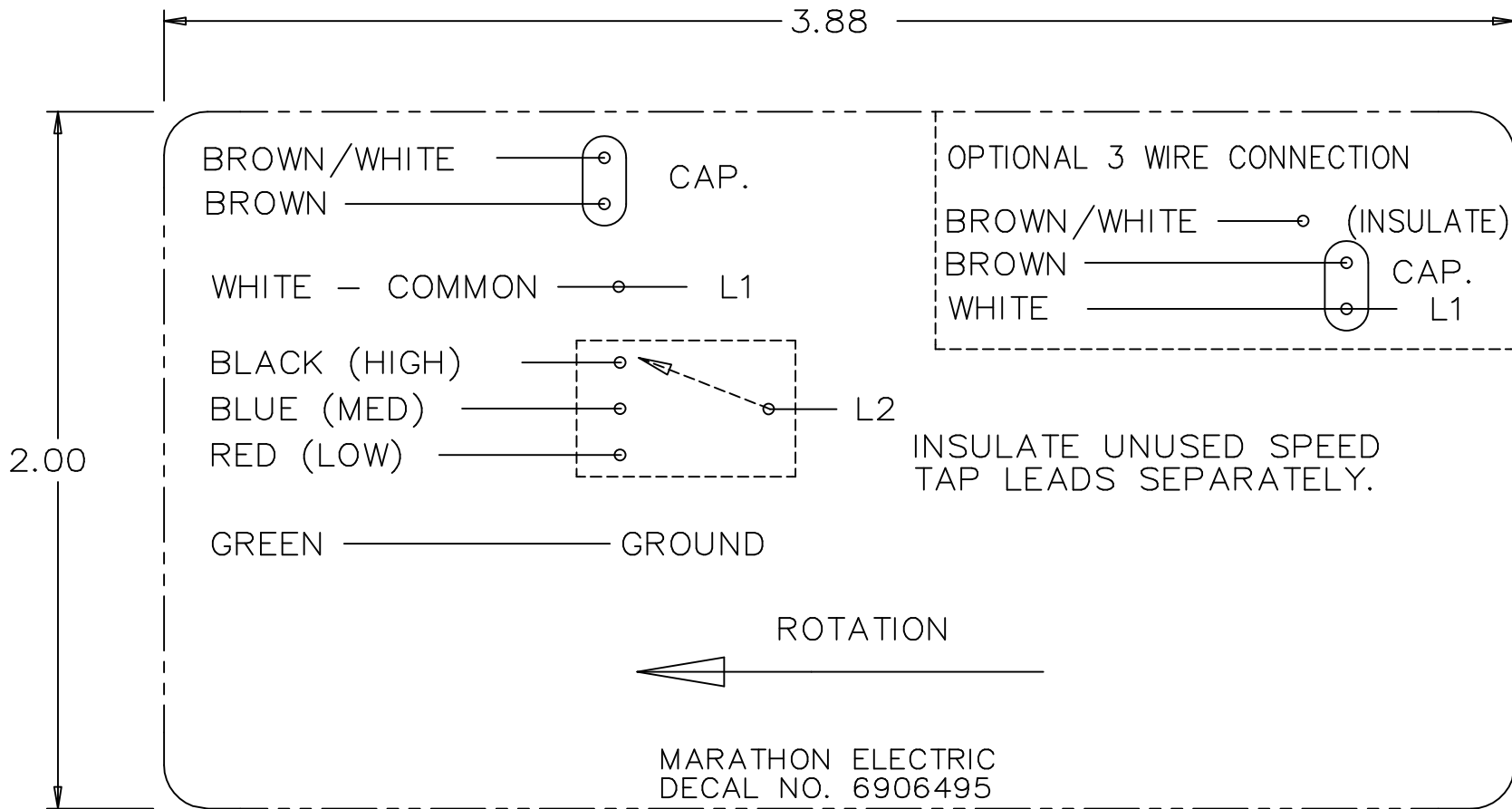


DASH	FR.	C	A	FN	FF
350	48Y	20.00	4.00	8.19	7.88
375	48Y	20.00	4.25	7.94	7.62
400	48Y	20.00	4.50	7.69	7.38
425	48Y	20.00	4.75	7.44	7.13
450	48Y	20.00	5.00	7.19	6.88
475	48Y	20.00	5.25	6.94	6.62
500	48Y	20.00	5.50	6.69	6.38

LEADS DESCRIPTION:
4 LEADS WITH .50" BARE WIRE STRIP
30.00" LONG WHITE, BLACK, BLUE, RED



NO.		REVISION	BY & DATE	CHK	ANG	FINISH	PREV
				TOLERANCES UNLESS SPECIFIED		DRAWN SP 01-11-2008	
				DEC.	INCHES	CHK NB 01-11-2008	
				.X	±.1	APPD NB 01-11-2008	
				.XX	±.03	SCALE 1=1	
				.XXX	±.005	REF SS73907	
				.XXXX	±.0005	FMF 07-2838	
				ANG	±7'30"	PREV	
THIS DRAWING IN DESIGN AND DETAIL IS OUR PROPERTY AND MUST NOT BE USED EXCEPT IN CONNECTION WITH OUR WORK ALL RIGHTS OF DESIGN AND INVENTION ARE RESERVED THIS IS AN ELECTRONICALLY GENERATED DOCUMENT - DO NOT SCALE THIS PRINT				RFP	01-11-2008	CAD FILE	SS403676
				DIST	WP	SIZE	DRAWING NO. PAGE OF REV.
						A	SS403676 1



				TOLERANCES UNLESS SPECIFIED		REGAL-BELOIT <i>Motor Technologies</i>	DRAWN MRB 04-16-1998		
				DEC.	INCHES		CHK	ML 04-22-1998	
				.X	±.1		APPD	GK 04-22-1998	
3	REMOVED 'MARATHON ELECTRIC' CN 35106	DRS 05-01-2002	TOM	.XX	±	TITLE CONNECTION DECAL	SCALE	1=1	
2	PART NAME WAS CONNECTION DIAGRAM CN 25669	MRB 04-23-1998		.XXX	±.005		REF		
1	NEW DRAWING CN 25669	MRB 04-22-1998		.XXXX	±.0005	MAT'L.	FMF		
NO.	REVISION	BY & DATE	CHK	ANG	±	FINISH	PREV		
THIS DRAWING IN DESIGN AND DETAIL IS OUR PROPERTY AND MUST NOT BE USED EXCEPT IN CONNECTION WITH OUR WORK ALL RIGHTS OF DESIGN AND INVENTION ARE RESERVED THIS IS AN ELECTRONICALLY GENERATED DOCUMENT - DO NOT SCALE THIS PRINT			RFP	CAD FILE 6906495		SIZE	DRAWING NO.	PAGE OF	REV.
			DIST	WP		A	6906495	3	3

ERROR: syntaxerror
OFFENDING COMMAND: --nostringval--

STACK:

/RS
-dictionary-
/Pscript_WinNT_Compat
-dictionary-

